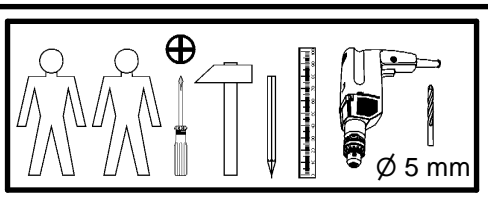
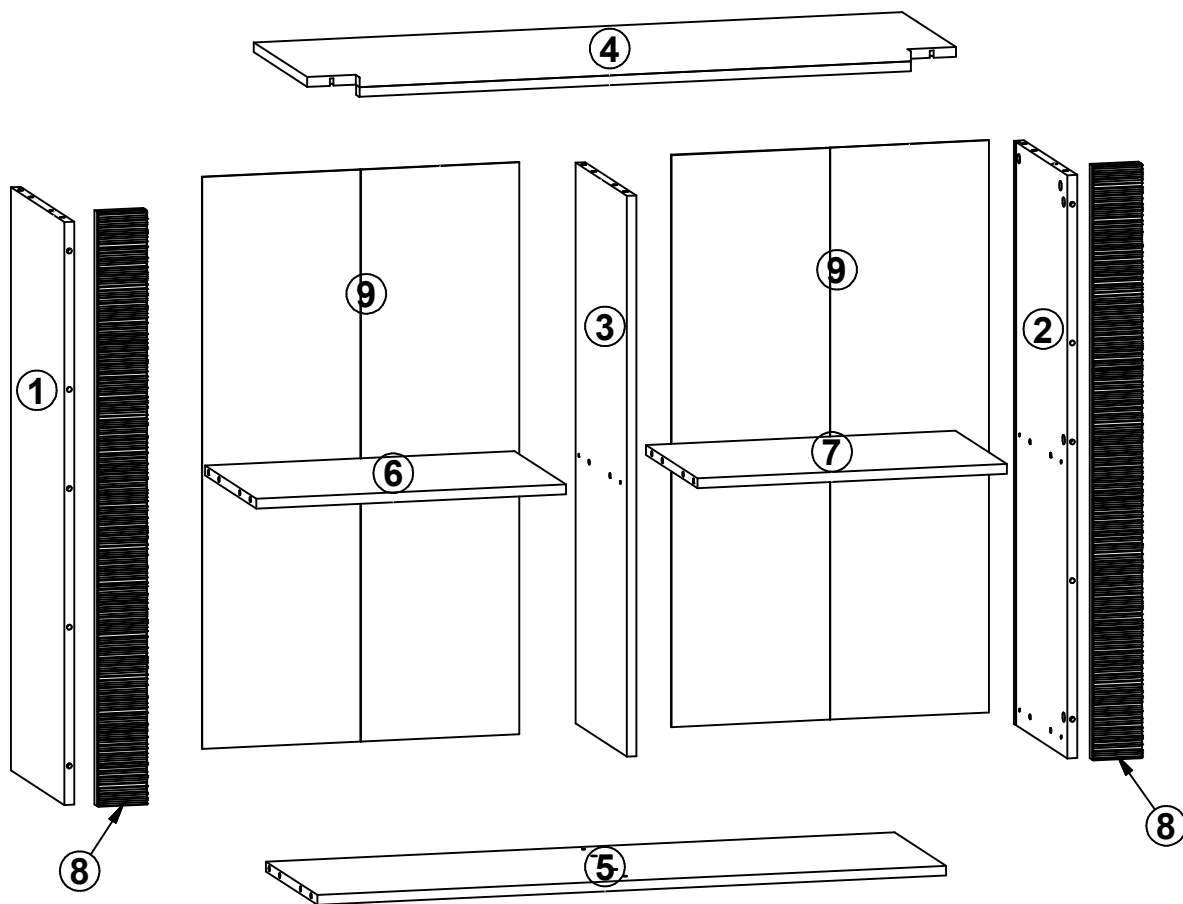
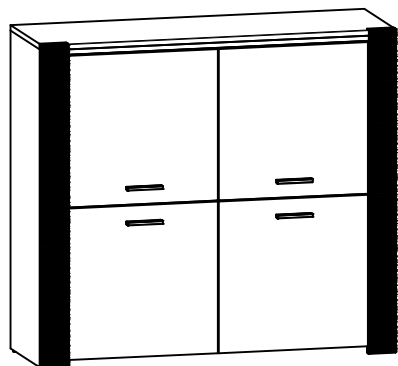
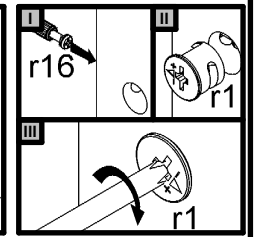
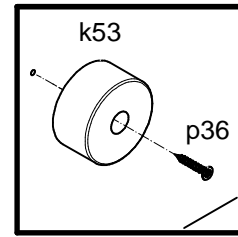
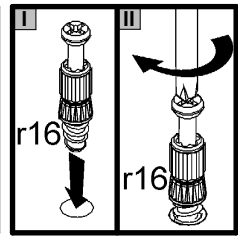
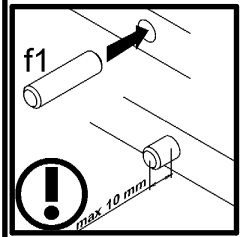
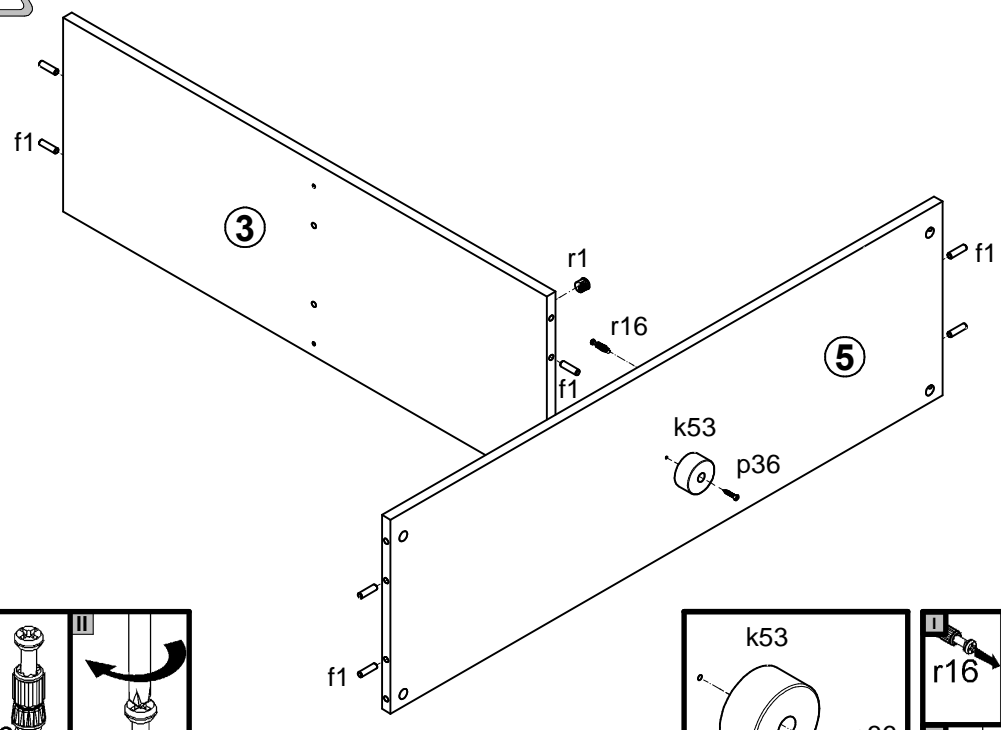


A	B	C	D	
1	S126-104	942	329	1/2
2	S126-105	942	329	1/2
3	S126-106	906	315	1/2
4	S126-202	1067	351	1/2
5	S126-303	1034	315	1/2
6	S126-305	509	315	1/2
7	S126-306	509	315	1/2
8	S126-574	960	80	1/2
9	S126-9902	924	522	1/2

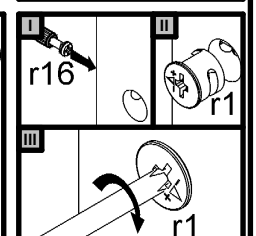
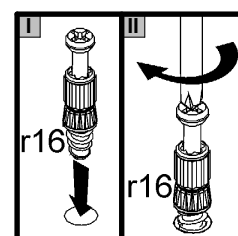
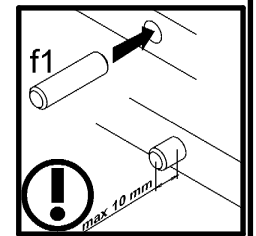
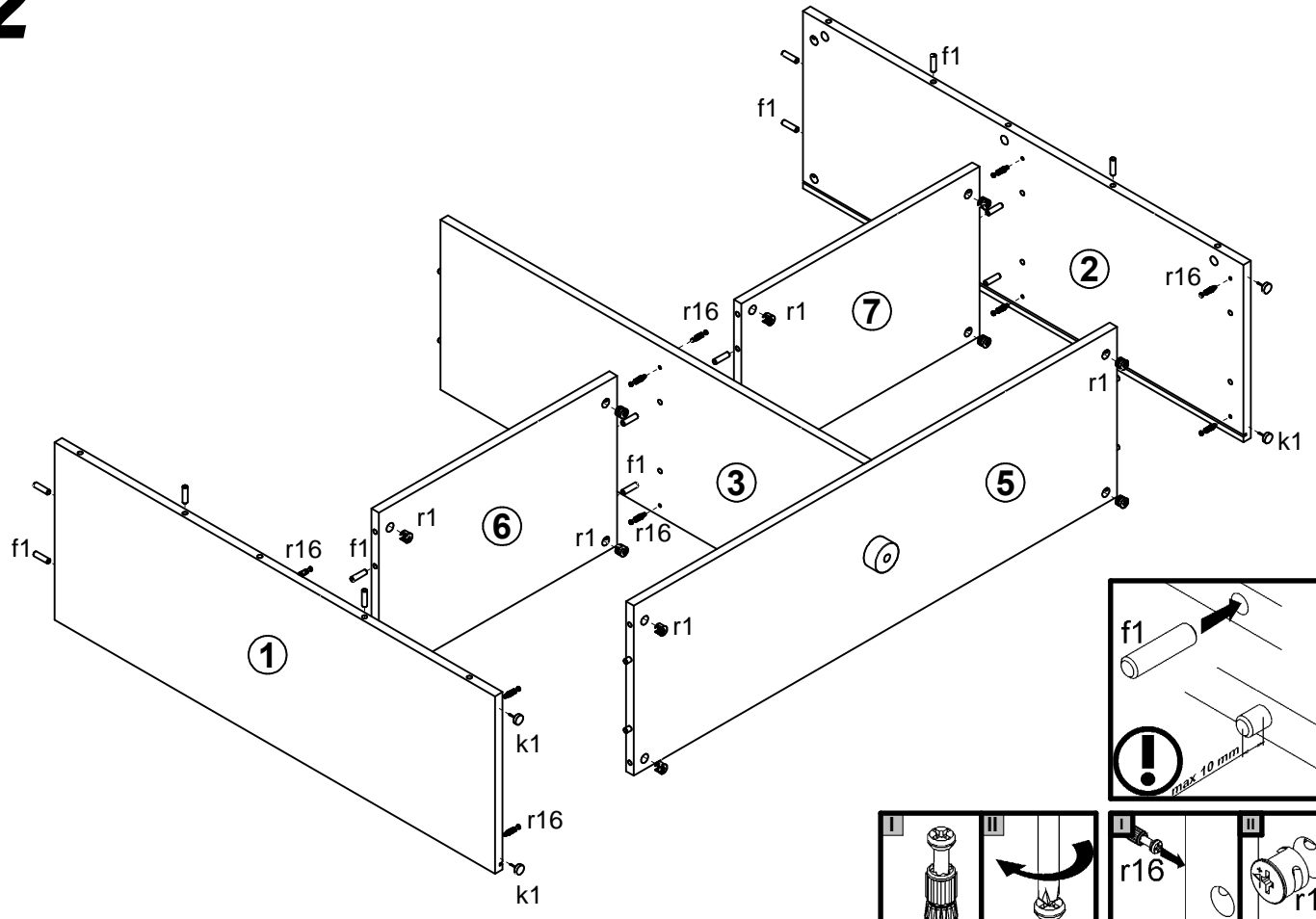


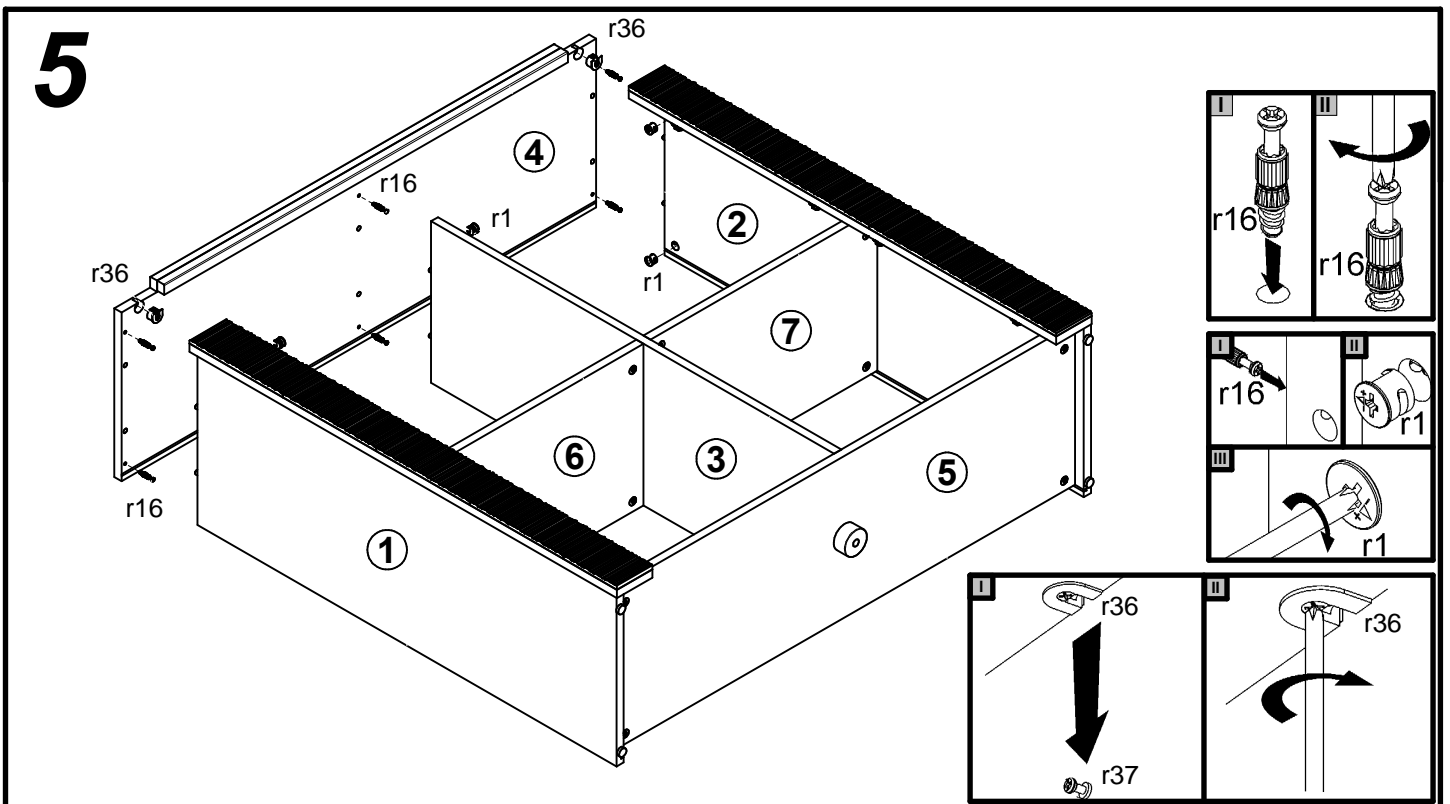
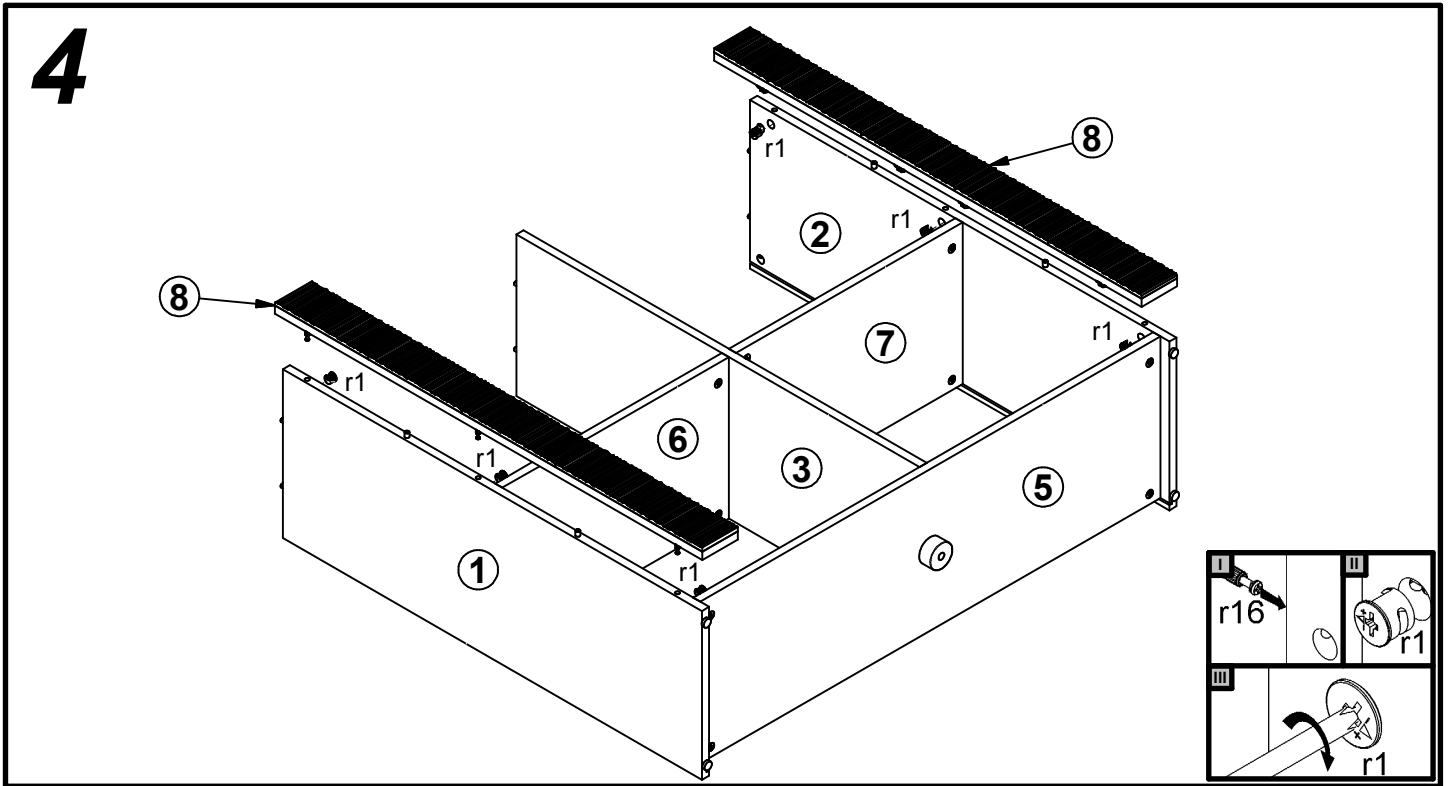
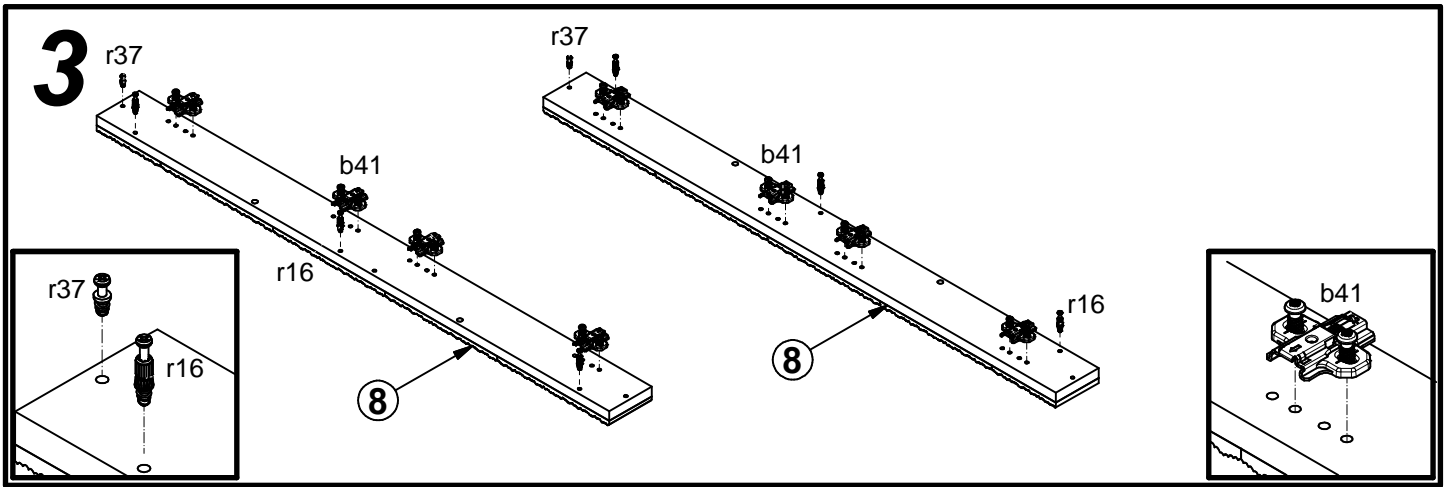
24x φ8x30 mm f1	4x k1	1x k53	30x l1	12x l2	1x φ4x25 mm p36	26x φ1.5x12mm #16 r1	26x r16	2x φ20x12mm #16 r36
2x 6,7x7,8 r37	8x ø16 s2	4x φ11x5 mm s43	1x n26\1	1x φ3,5x16 mm p38				

1  

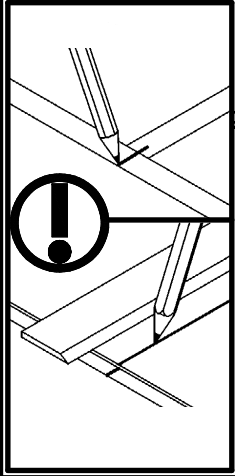
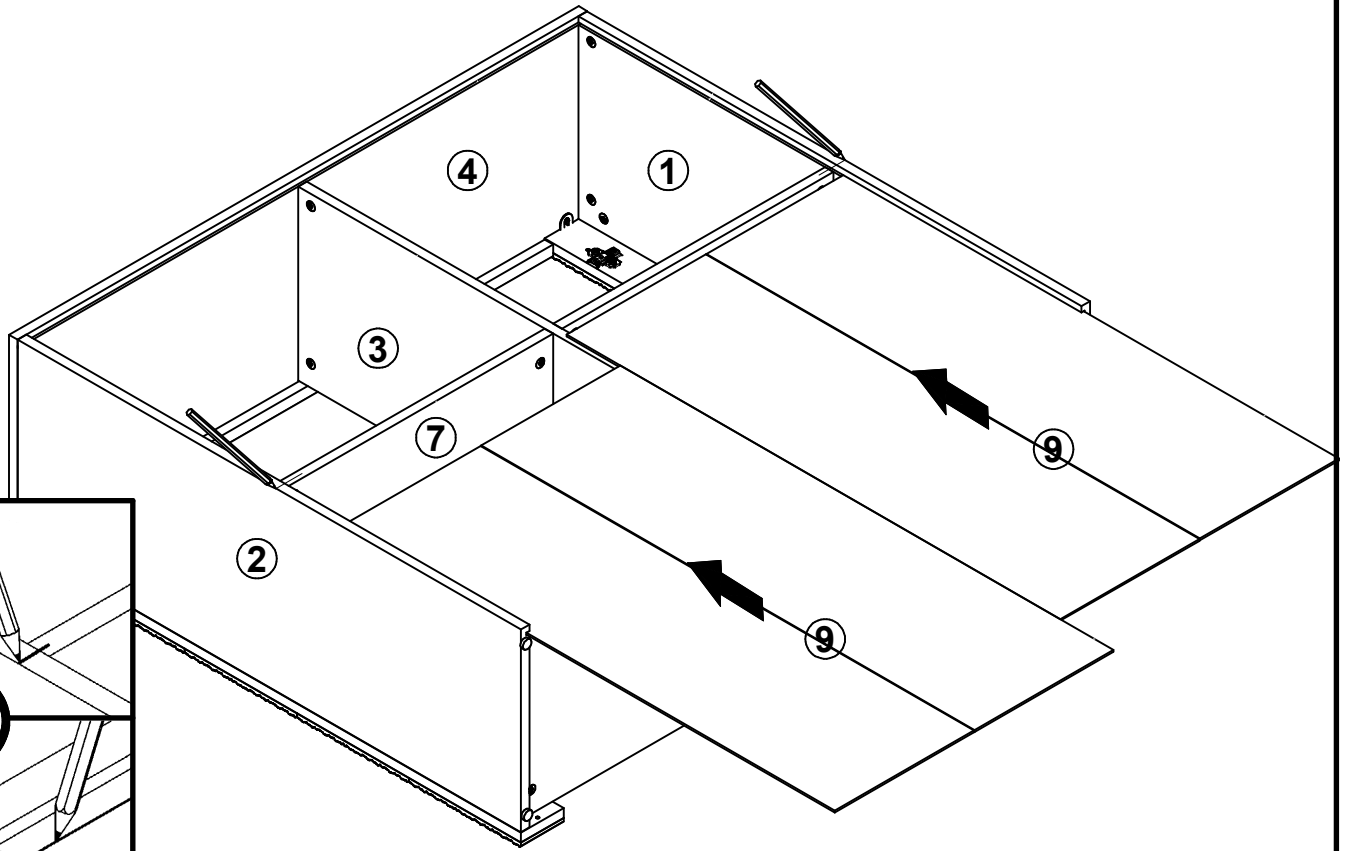


2





6



7

