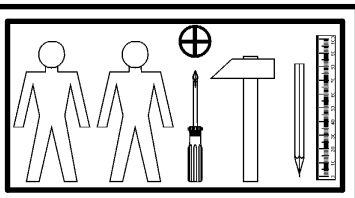
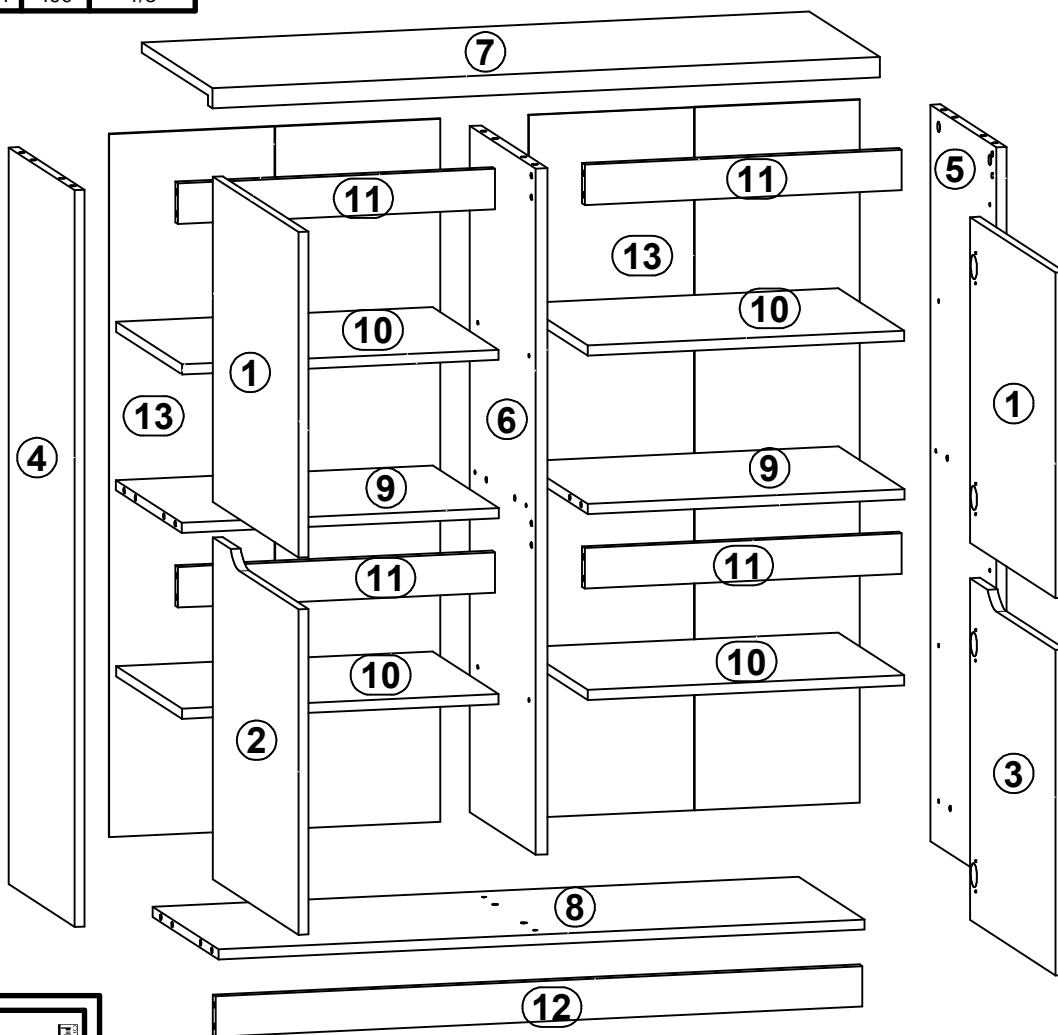
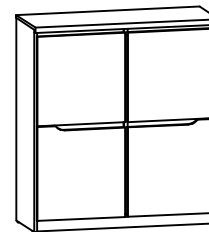
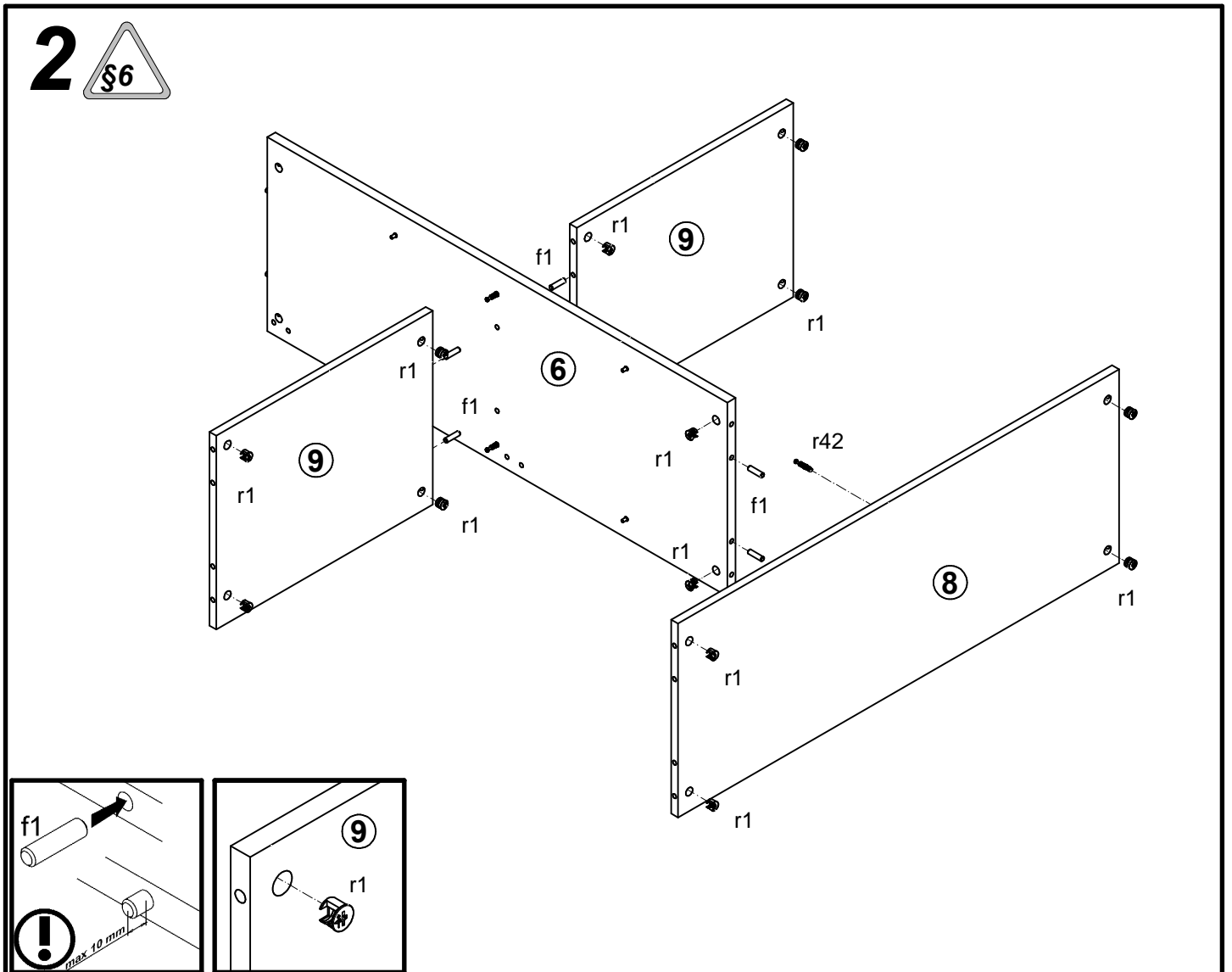
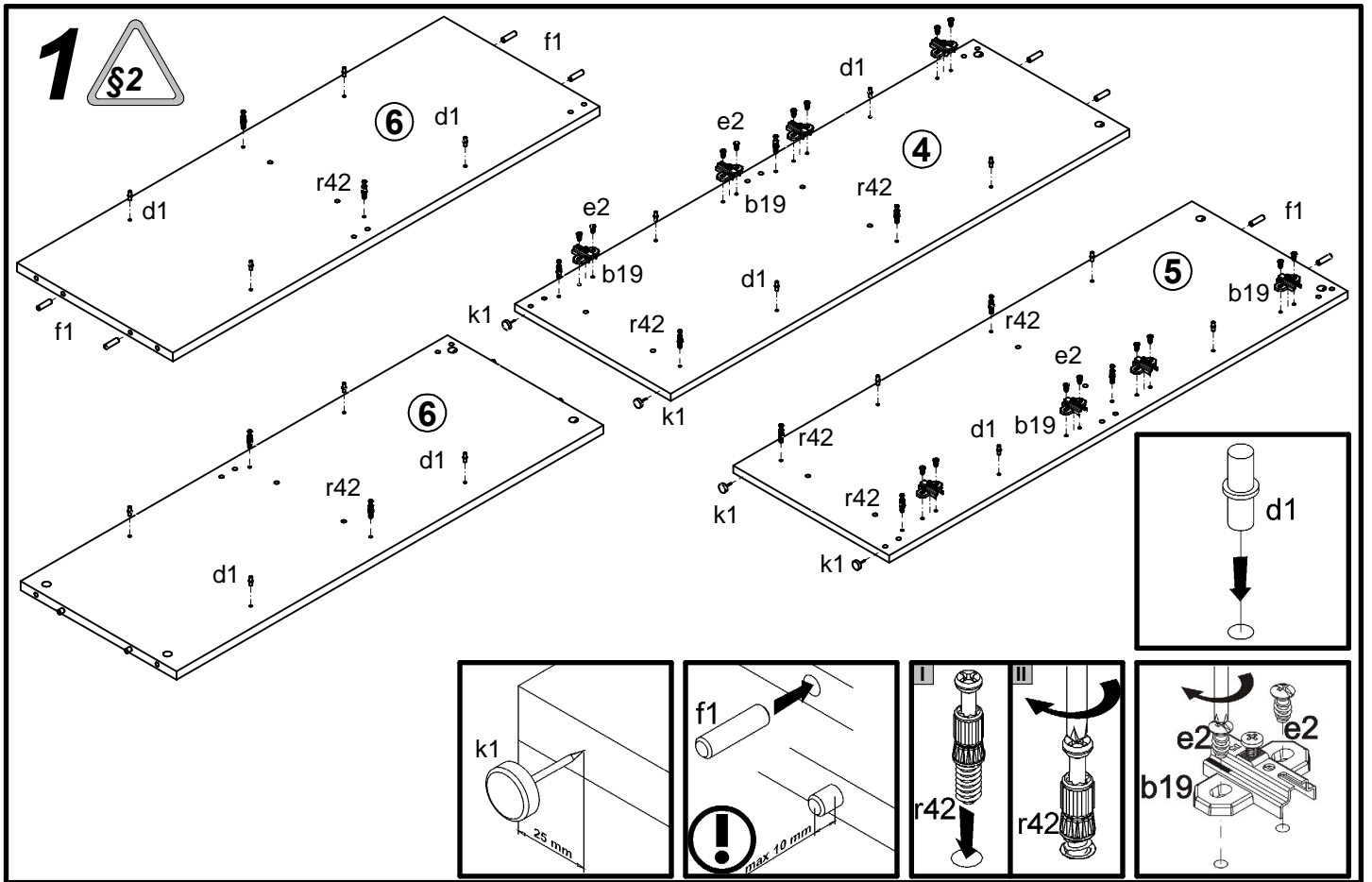


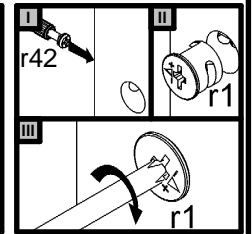
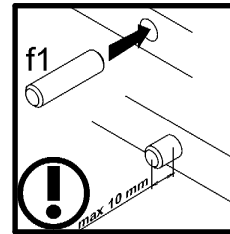
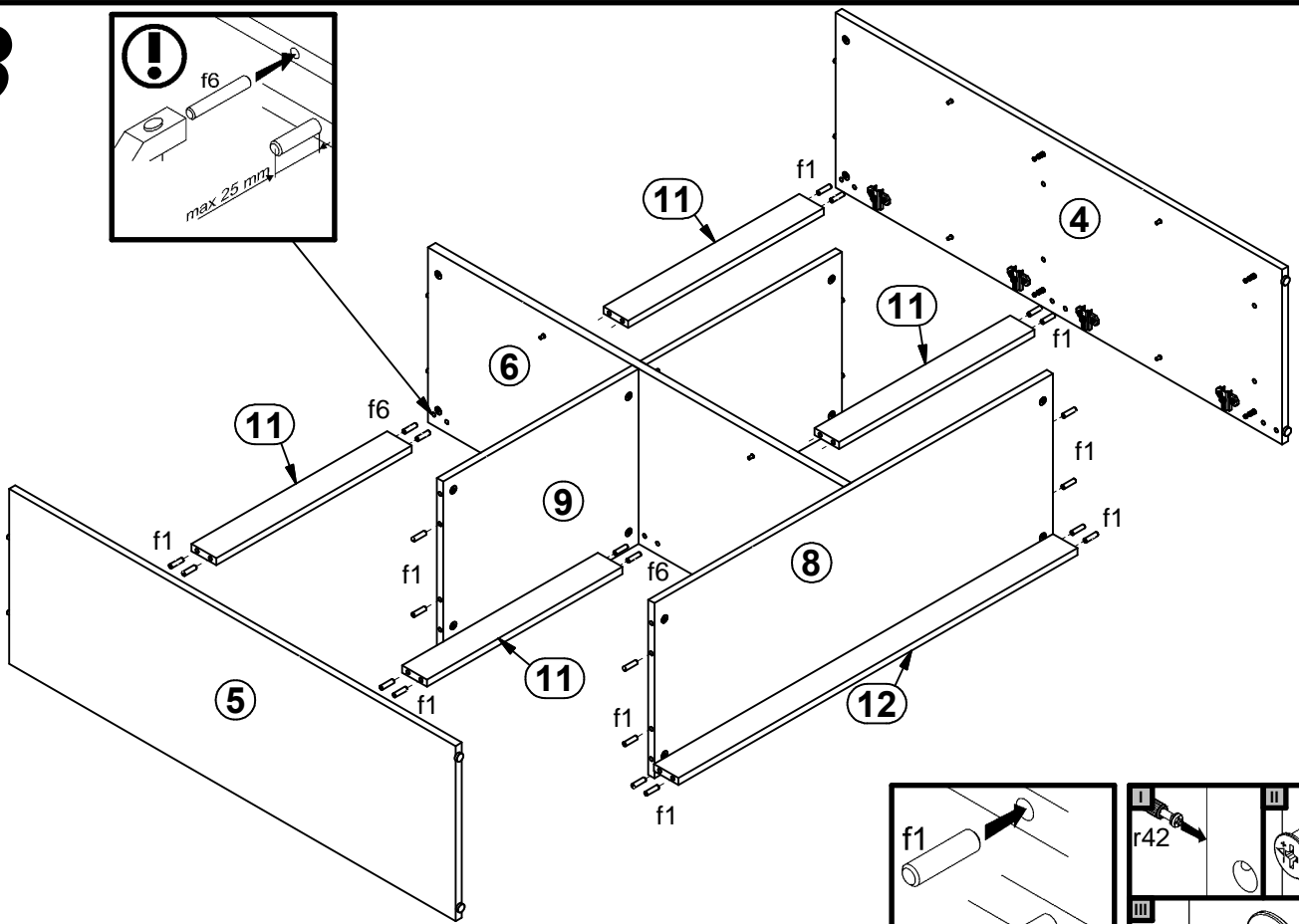
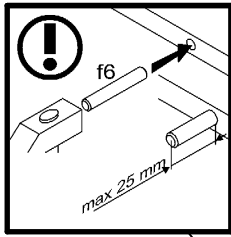
A	B	C	D
1	S162-007	482	482
2	S162-008	482	506
3	S162-009	482	506
4	S162-109	1091	371
5	S162-110	1091	371
6	S162-111	1016	371
7	S162-204	1006	397
8	S162-304	974	371
9	S162-305	478	371
10	S162-306	477	370
11	S162-410	478	60
12	S162-412	975	60
13	S162-908	1041	499



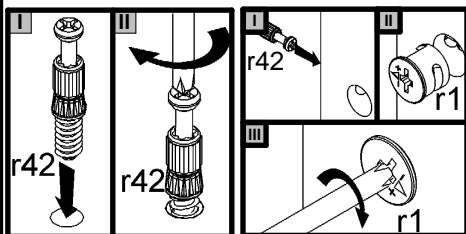
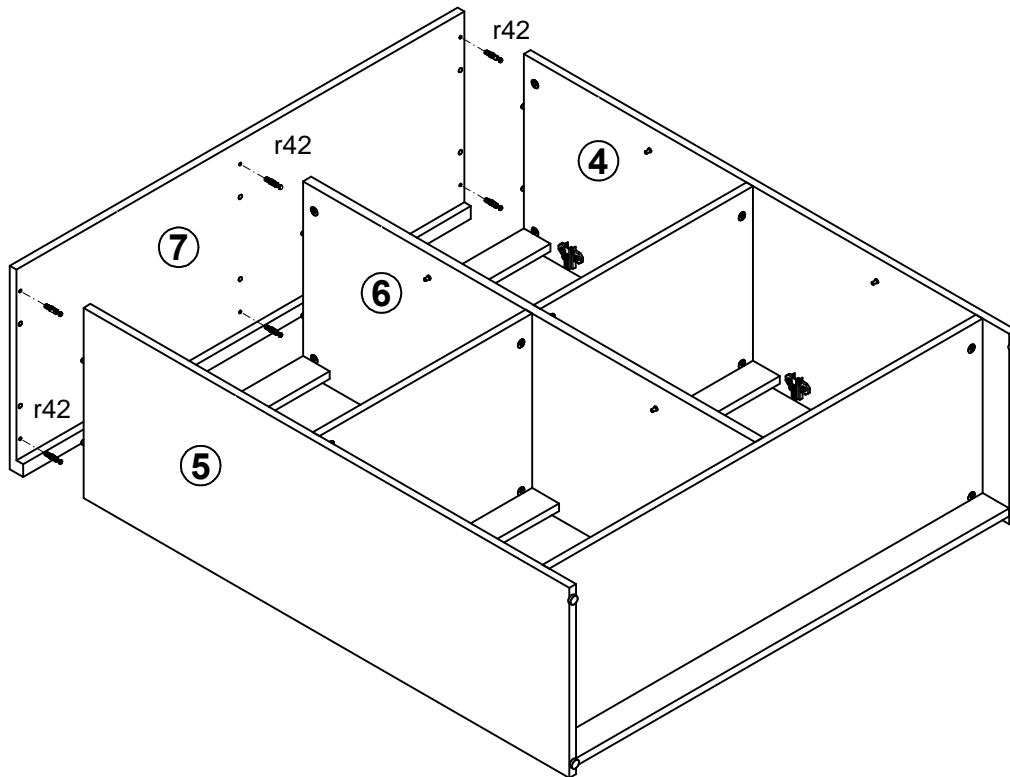
8x a68	8x b19	16x ∅5x17 mm d1	16x ∅6,3x13 mm e2	32x ∅8x30 mm f1	4x k1	75x l1	16x ∅3,5x15 mm p51	20x ∅1,5x12mm #16 r1
20x r42	1x n26	1x ∅3,5x16 mm p38	5x ∅16 s2	4x ∅8x50 mm f6				



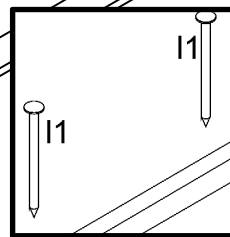
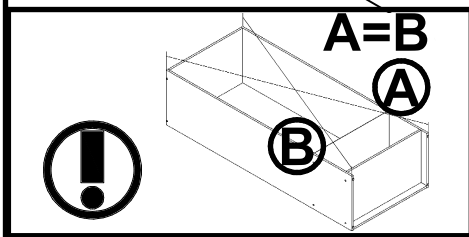
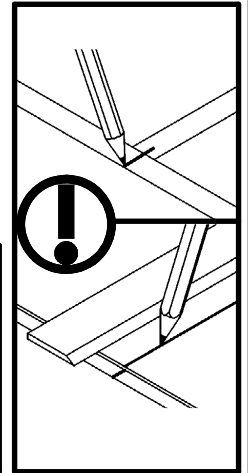
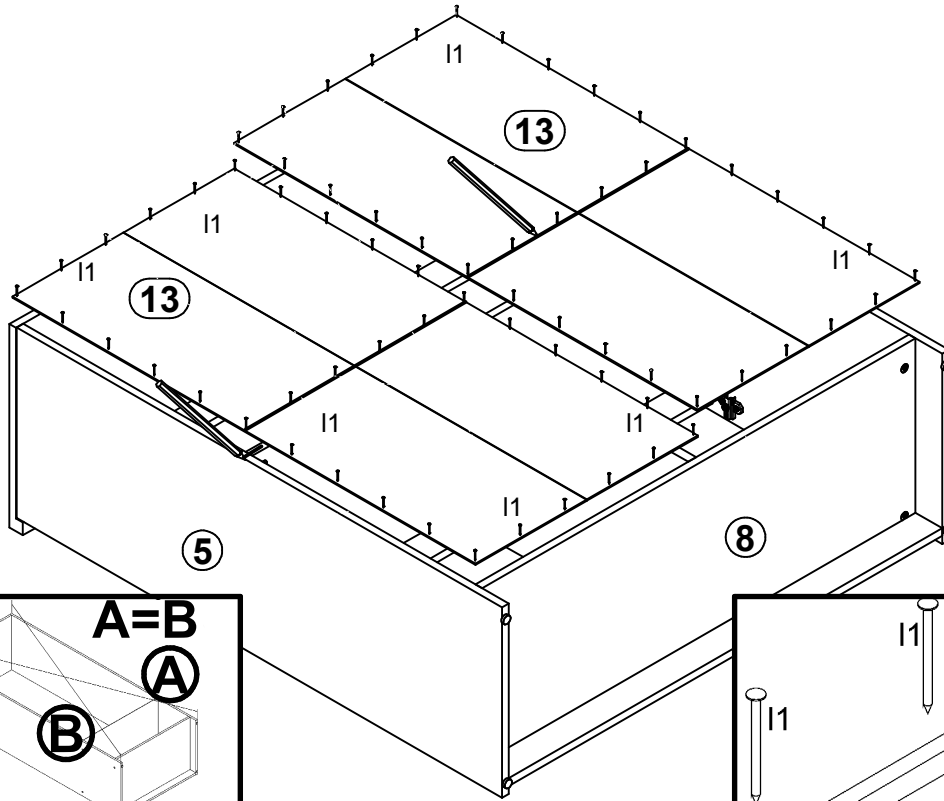
3



4



5



6

