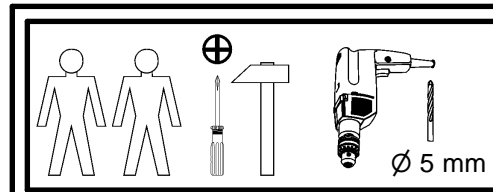
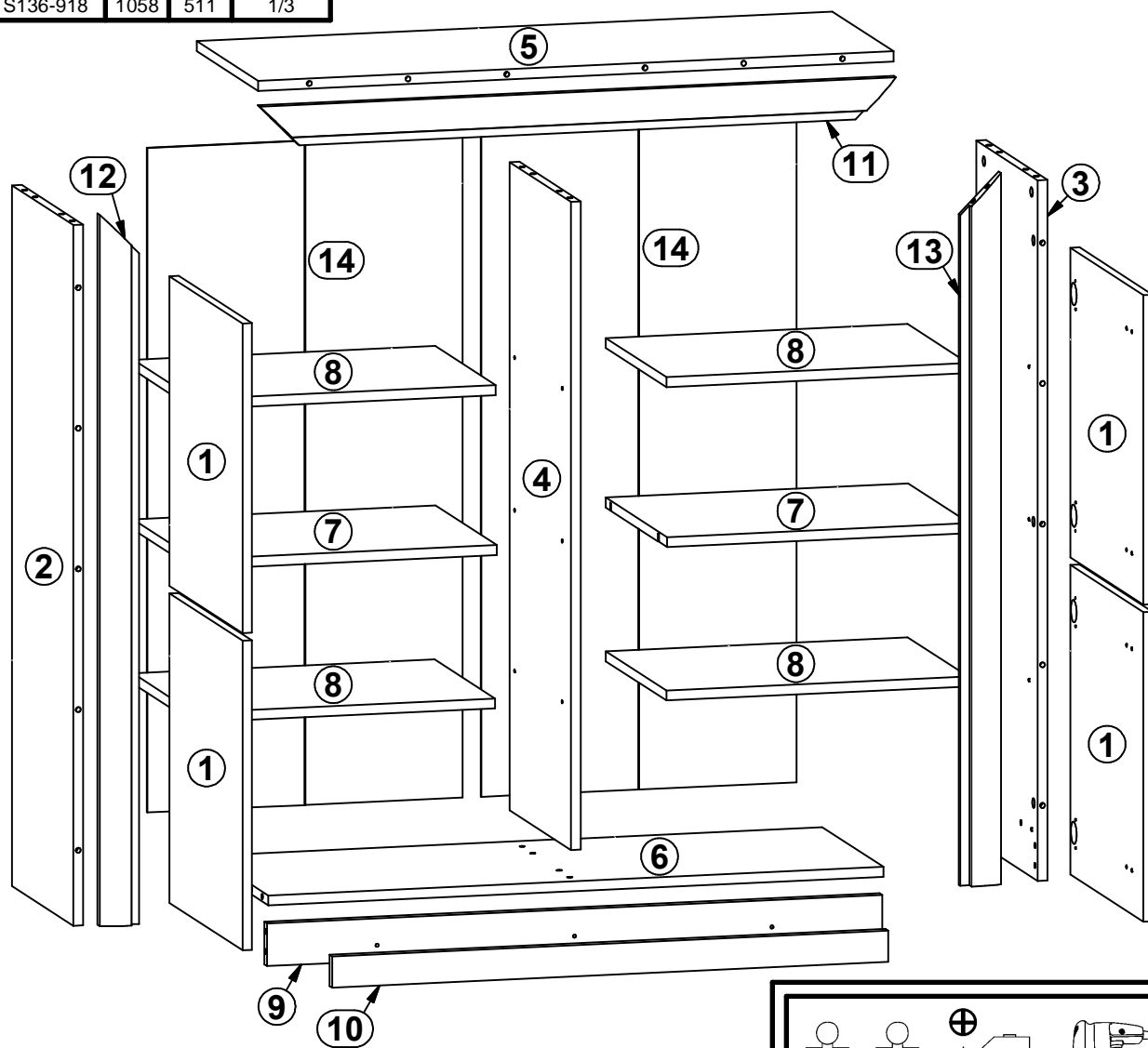
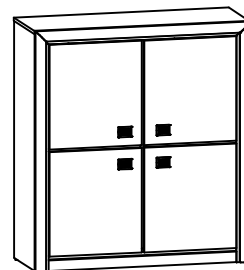


KOEN

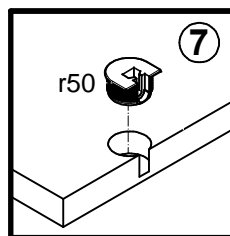
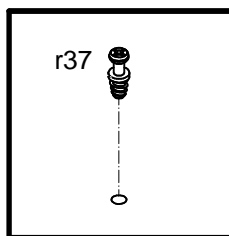
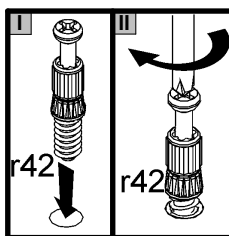
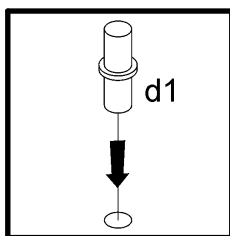
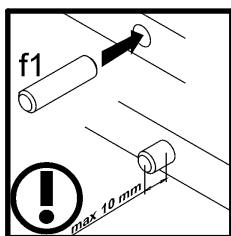
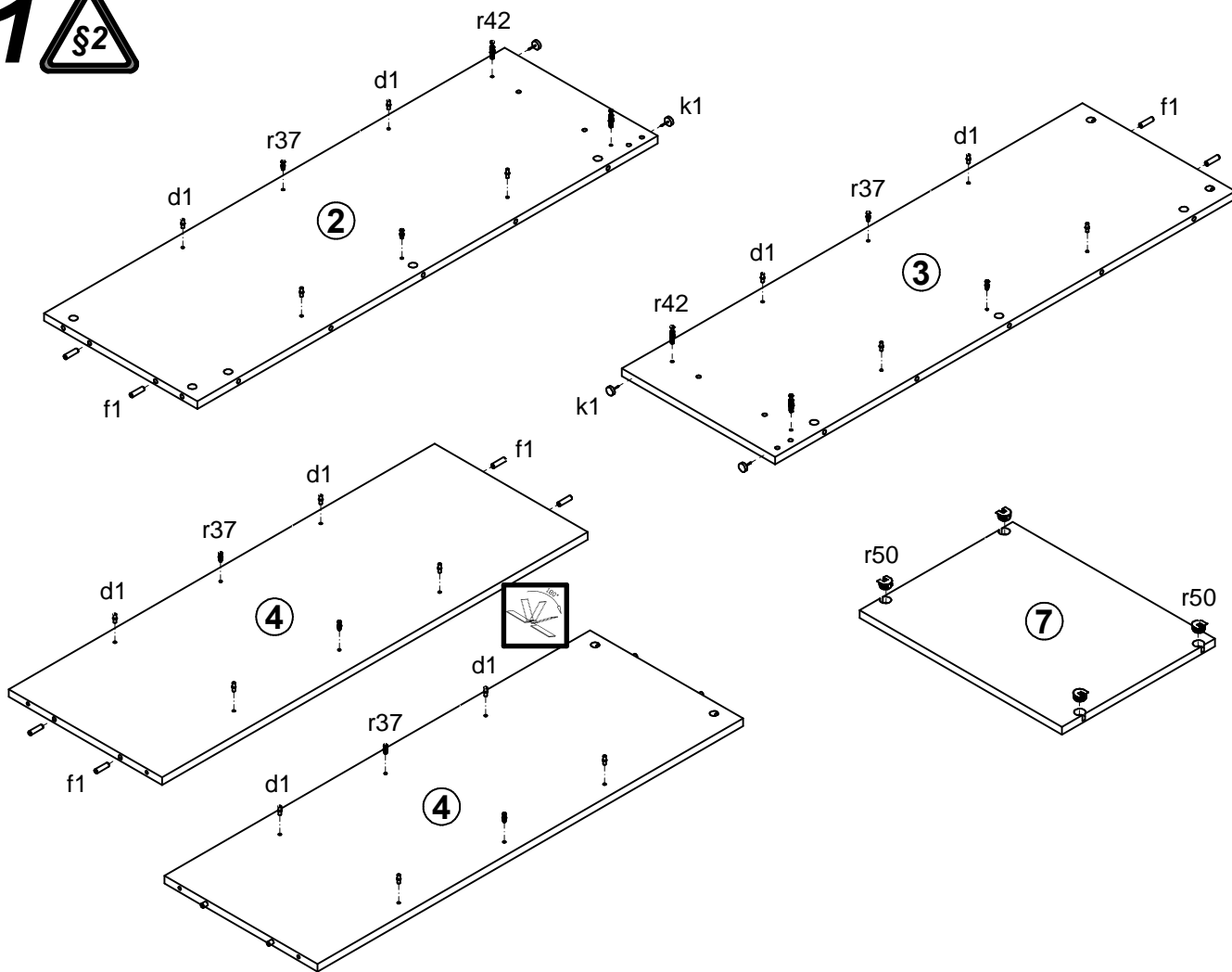
S136-KOM4D

A	B	C	D
1	S136-010	493	442 3/3
2	S136-140	1116	371 1/3
3	S136-141	1116	371 1/3
4	S136-142	1032	371 1/3
5	S136-210	1030	371 1/3
6	S136-311	997	371 1/3
7	S136-313	490	371 1/3
8	S136-314	489	366 1/3
9	S136-401	997	68 1/3
10	S136-403	901	50 1/3
11	S136-573	1031	65 2/3
12	S136-589	1133	65 2/3
13	S136-590	1133	65 2/3
14	S136-918	1058	511 1/3

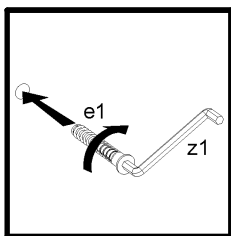
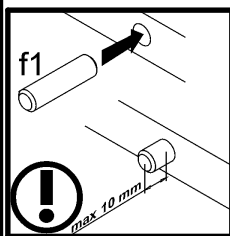
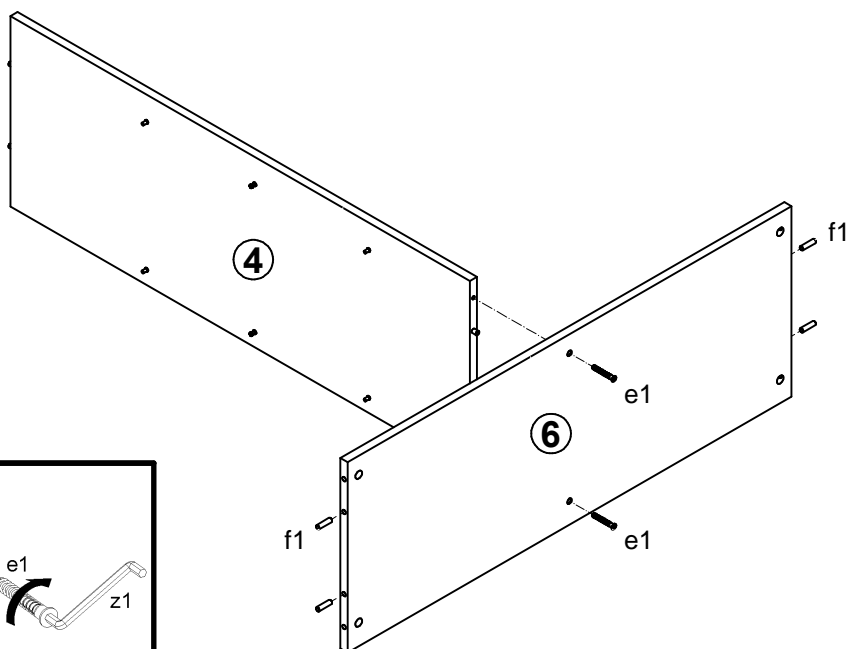


8x a99	8x a43	4x c317	16x d1 φ5x17 mm	2x e1 φ7x50 mm	16x e2 φ6,3x13 mm	24x f1 φ8x30 mm	8x j30 M4x22 mm	4x k1	
75x l1	16x p51 φ3,5x15 mm	3x p94 φ4x28 mm	24x r1 φ15x12mm #16	2x r10	8x r37 6,7x8	20x r42	8x r50	6x s2 ø16	
1x n26/1	1x p38 φ3,5x16 mm	1x z1							

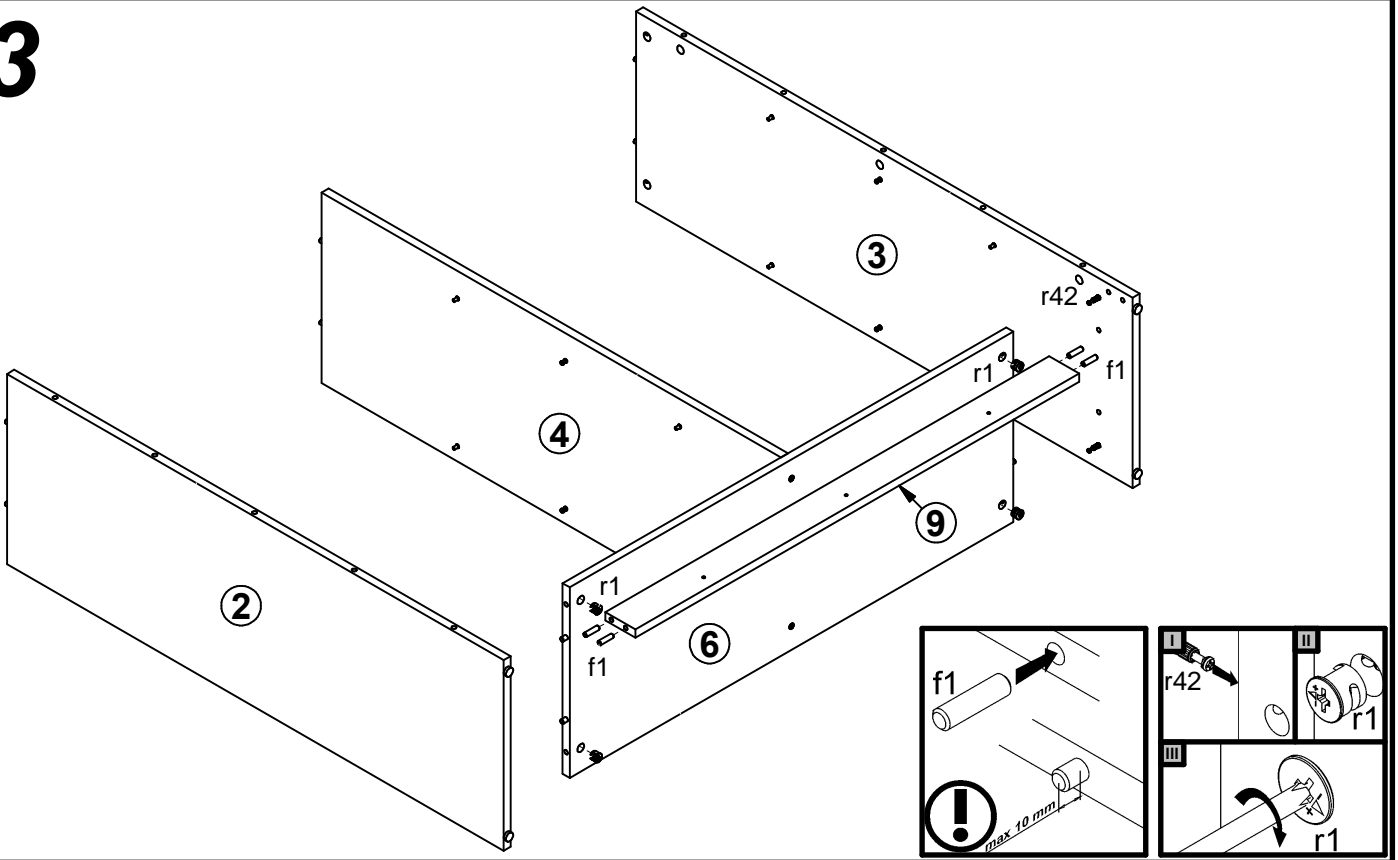
1



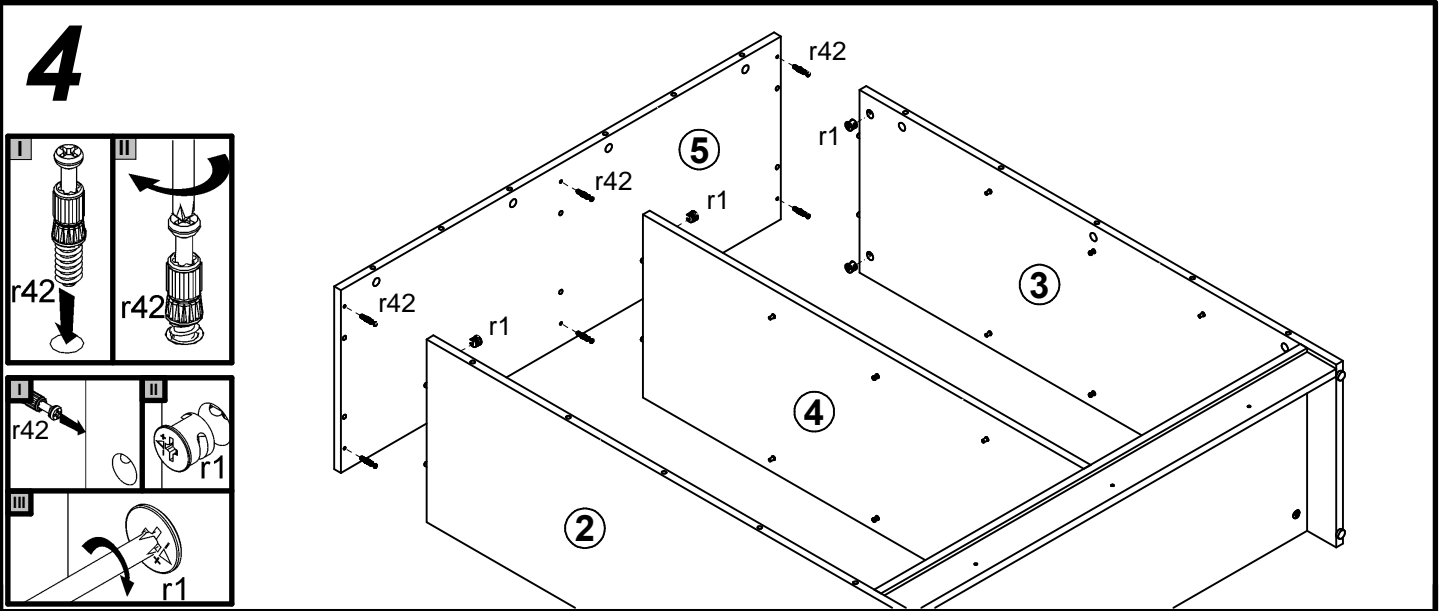
2



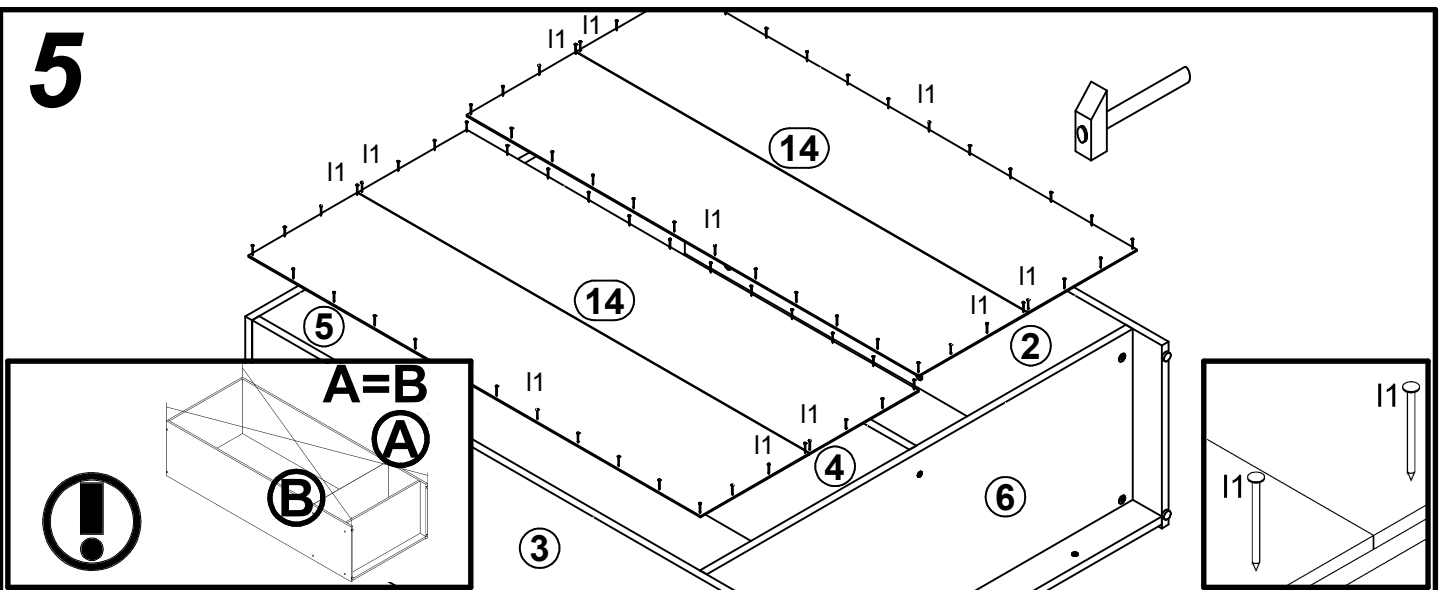
3



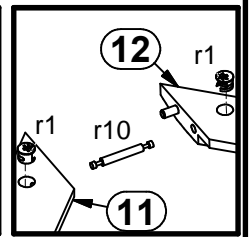
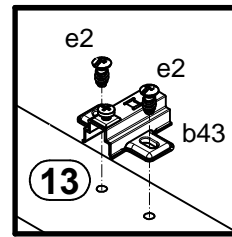
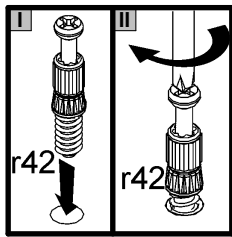
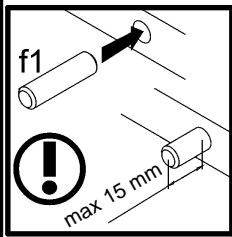
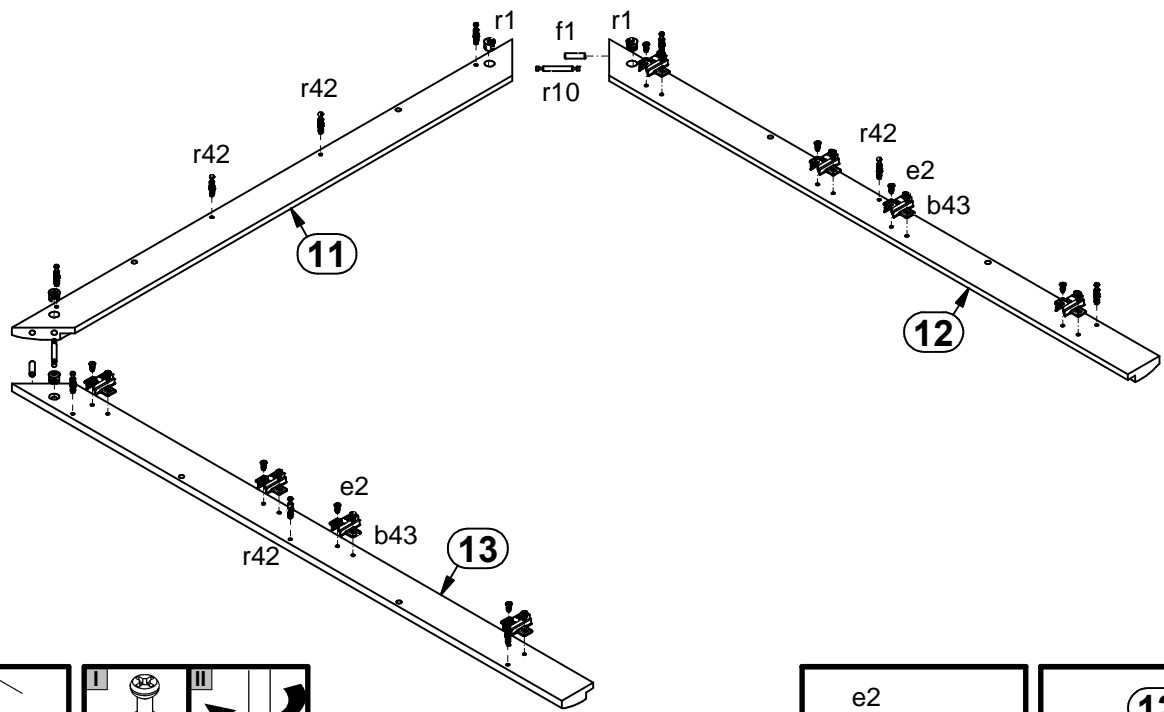
4



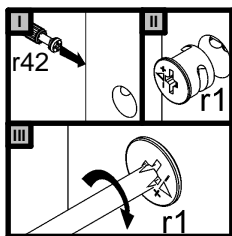
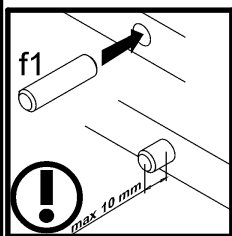
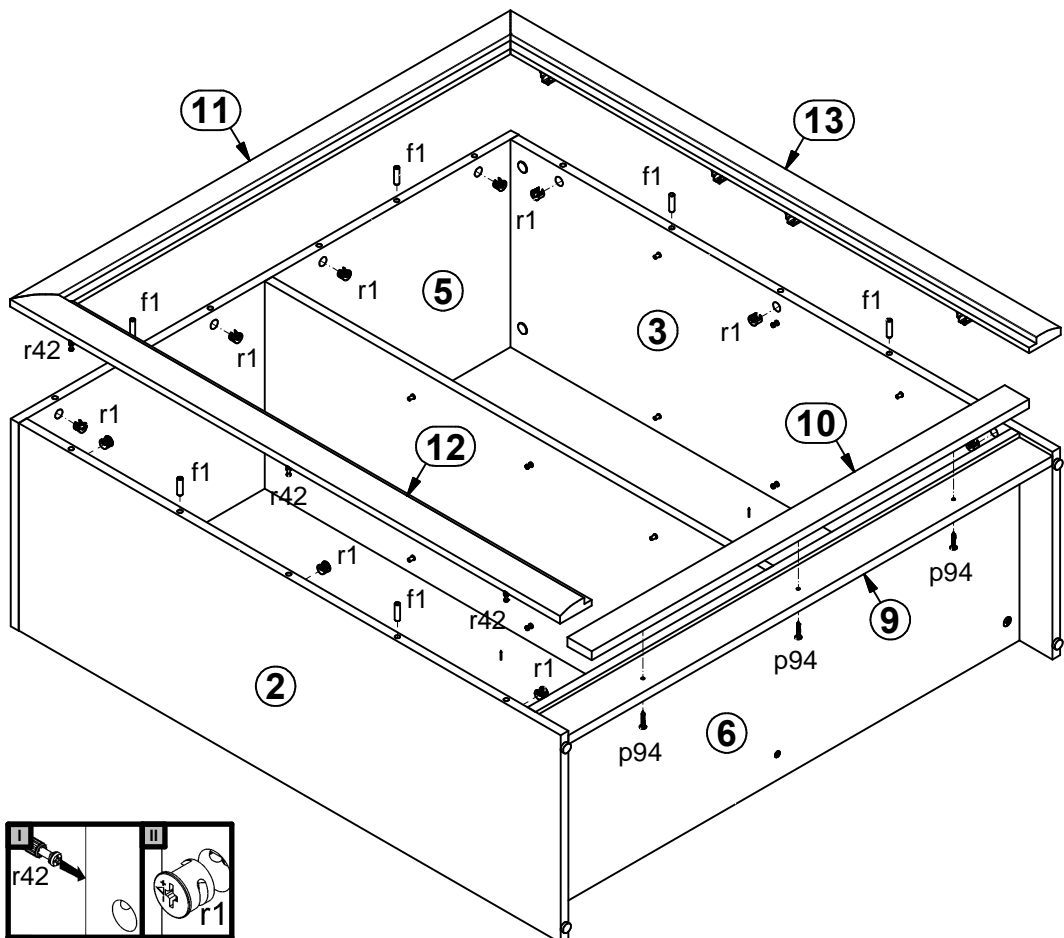
5



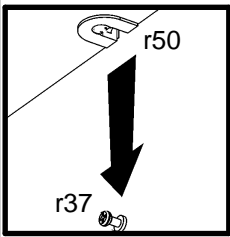
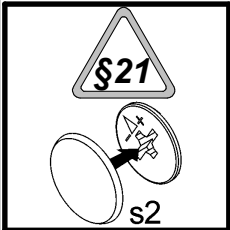
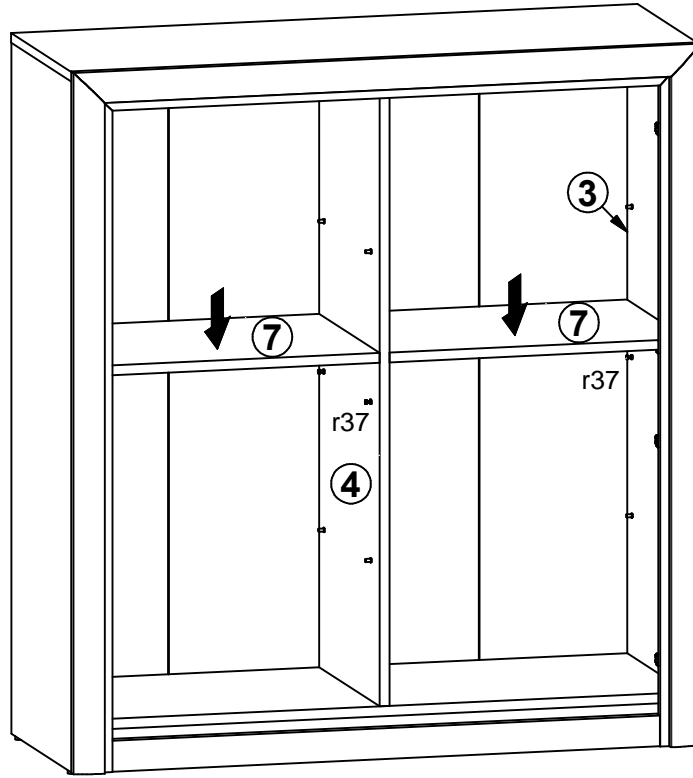
6



7



8



9

