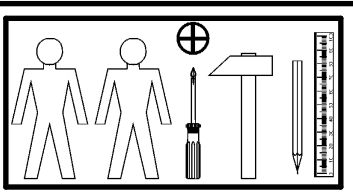
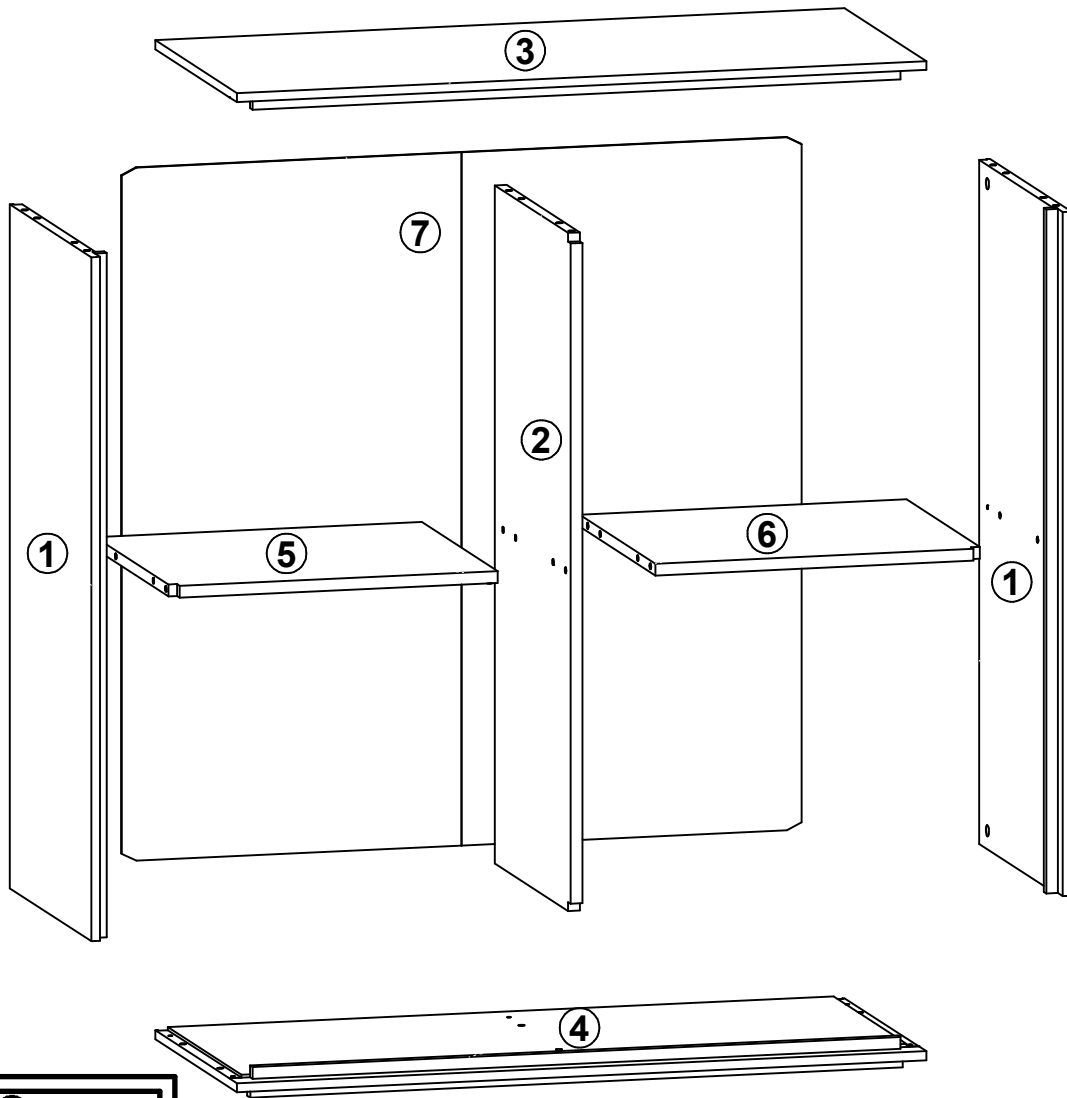
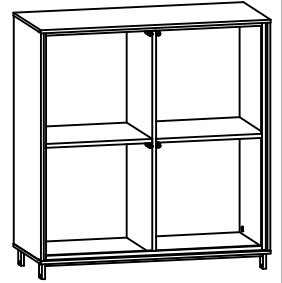


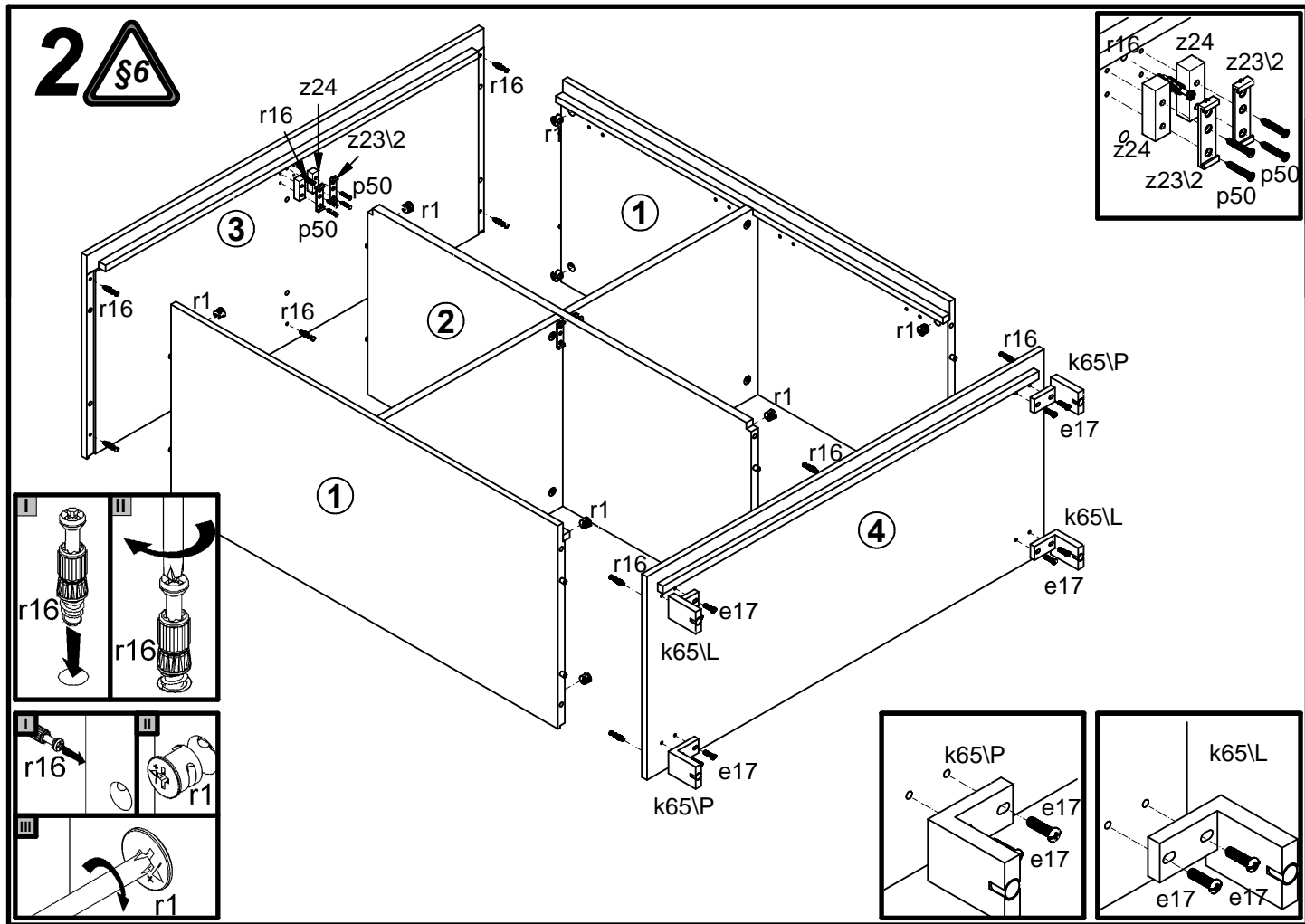
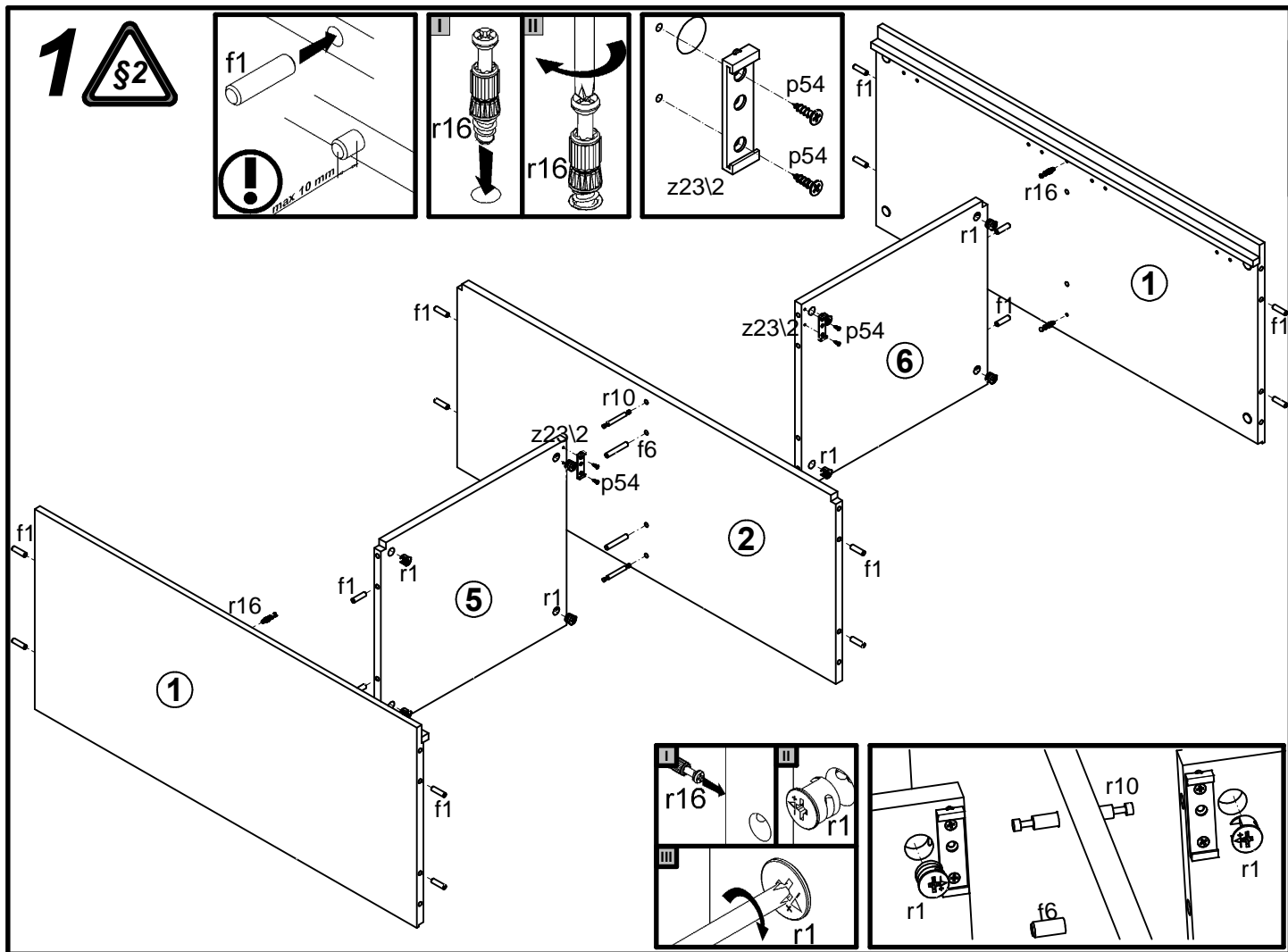
# MATEO

## S74-REG4D/10/9

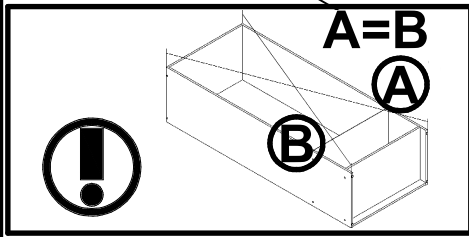
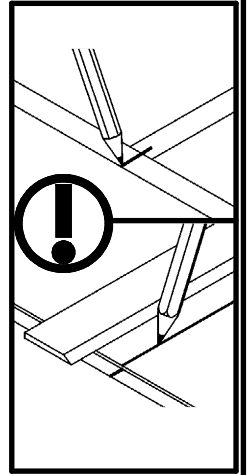
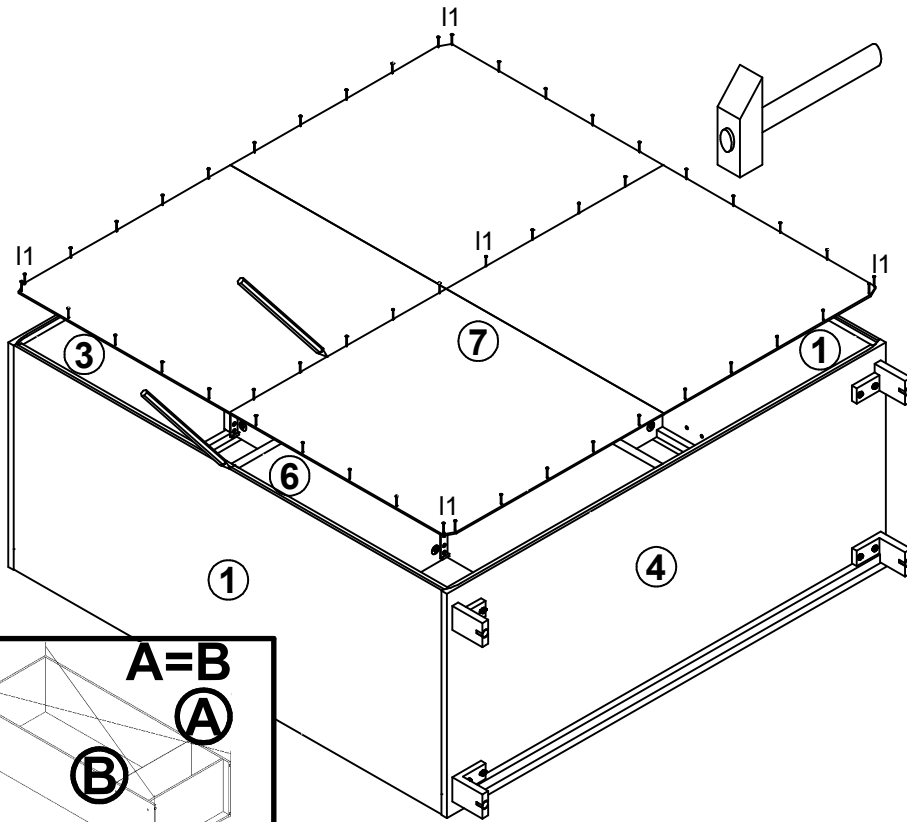
| A | B        | C   | D   |     |
|---|----------|-----|-----|-----|
| 1 | S74-101  | 921 | 417 | 1/2 |
| 2 | S74-102  | 913 | 388 | 1/2 |
| 3 | S74-201  | 945 | 418 | 1/2 |
| 4 | S74-213  | 945 | 418 | 1/2 |
| 5 | S74-301  | 448 | 388 | 1/2 |
| 6 | S74-310  | 448 | 388 | 1/2 |
| 7 | S74-9905 | 933 | 933 | 1/2 |



|                                |                              |                             |                    |                    |                    |                                |                              |                                   |
|--------------------------------|------------------------------|-----------------------------|--------------------|--------------------|--------------------|--------------------------------|------------------------------|-----------------------------------|
| 8x<br>φ5.3x20 mm<br><b>e17</b> | 16x<br>φ8x30 mm<br><b>f1</b> | 2x<br>φ8x50 mm<br><b>f6</b> | 2x<br><b>k65\L</b> | 2x<br><b>k65\P</b> | 50x<br><b>l1</b>   | 4x<br>φ2.5x24 mm<br><b>p50</b> | 8x<br>φ3x12 mm<br><b>p54</b> | 20x<br>φ1.5x12mm #16<br><b>r1</b> |
| 2x<br><b>r10</b>               | 16x<br><b>r16</b>            | 20x<br>ø16<br><b>s2</b>     | 4x<br><b>z23\1</b> | 4x<br><b>z23\2</b> | 4x<br><b>z23\3</b> | 2x<br><b>z24</b>               | 1x<br><b>n26\1</b>           | 1x<br>φ3.5x16 mm<br><b>p38</b>    |



# 3



# 4

