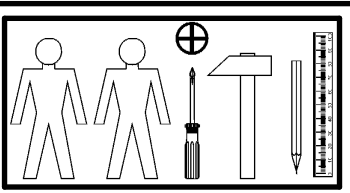
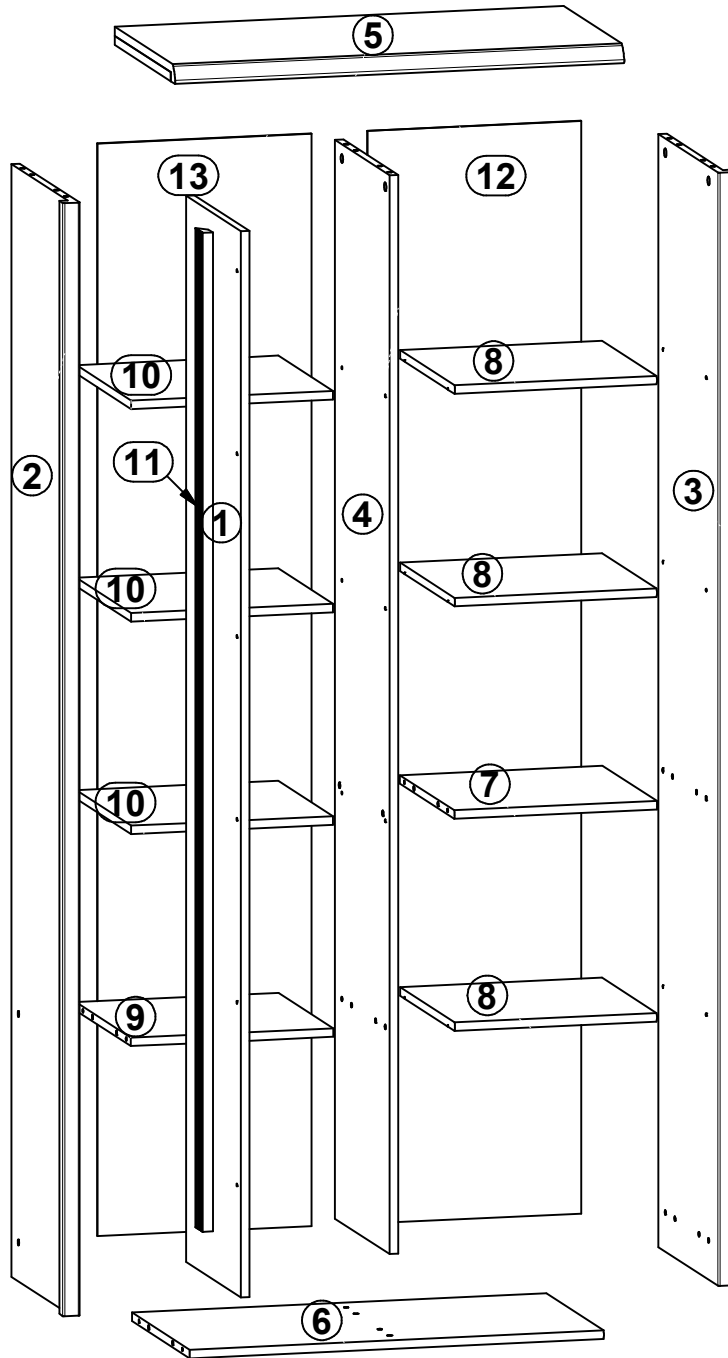
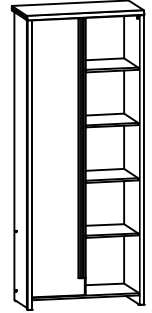


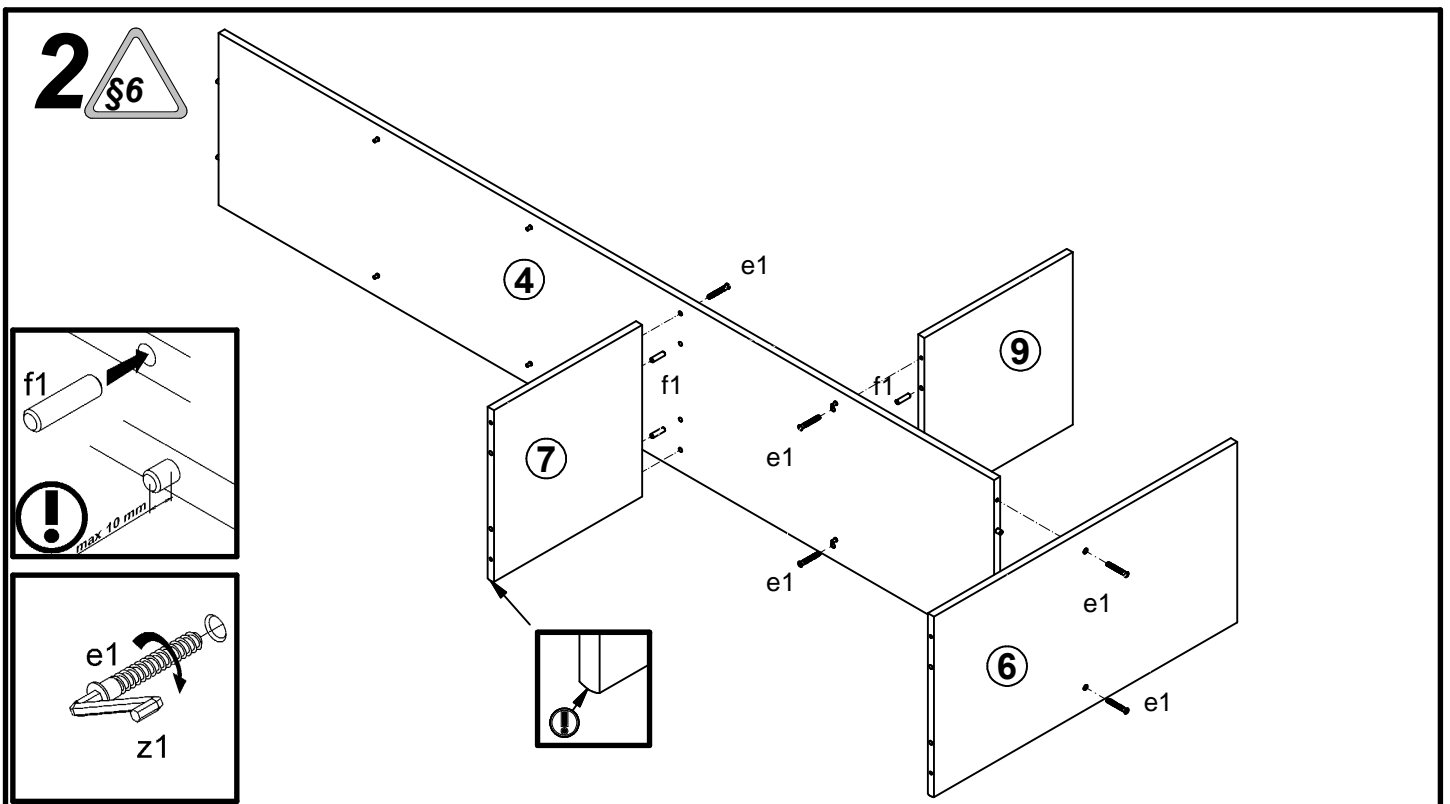
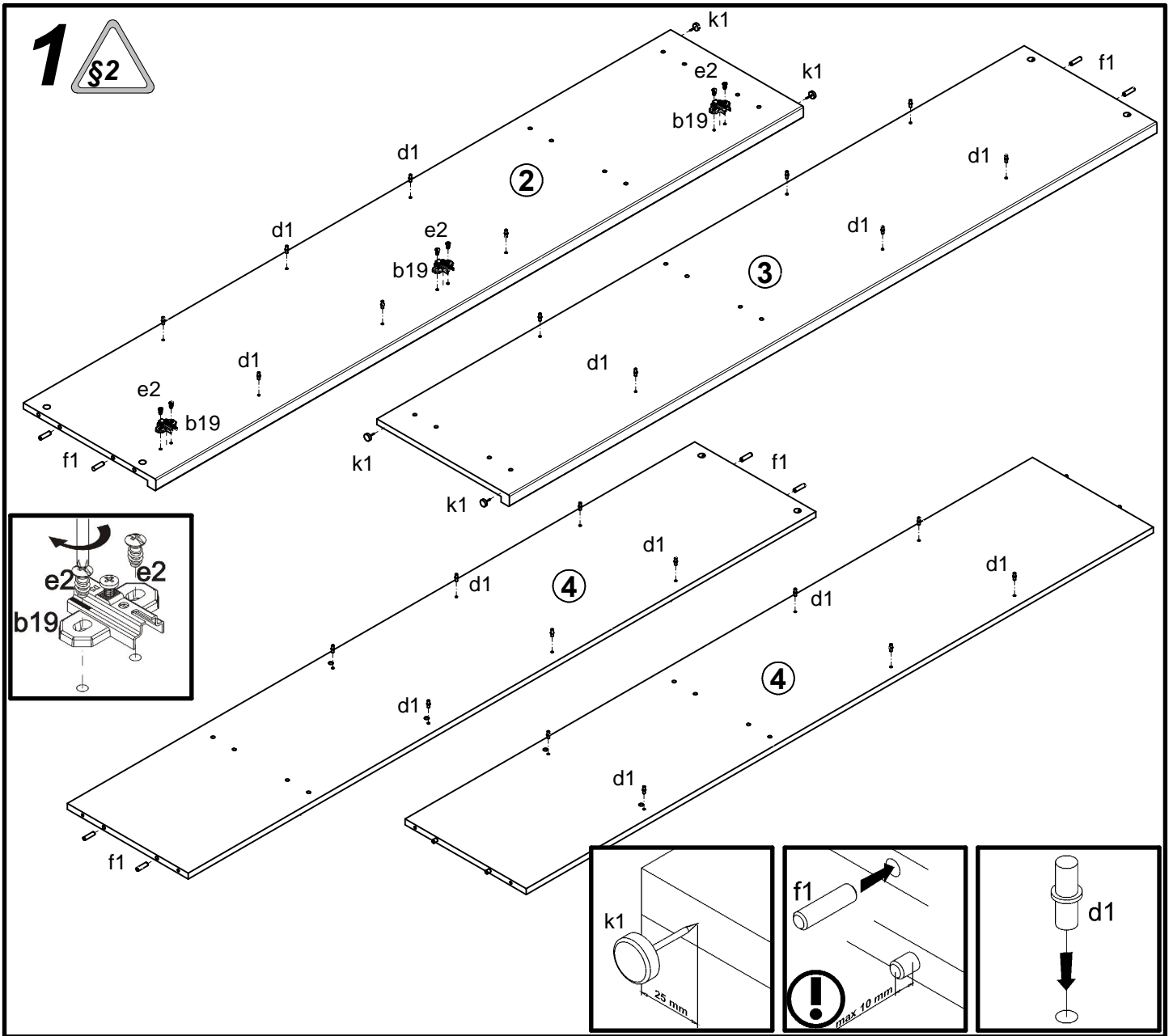
CAPS

S153-REG1D/80

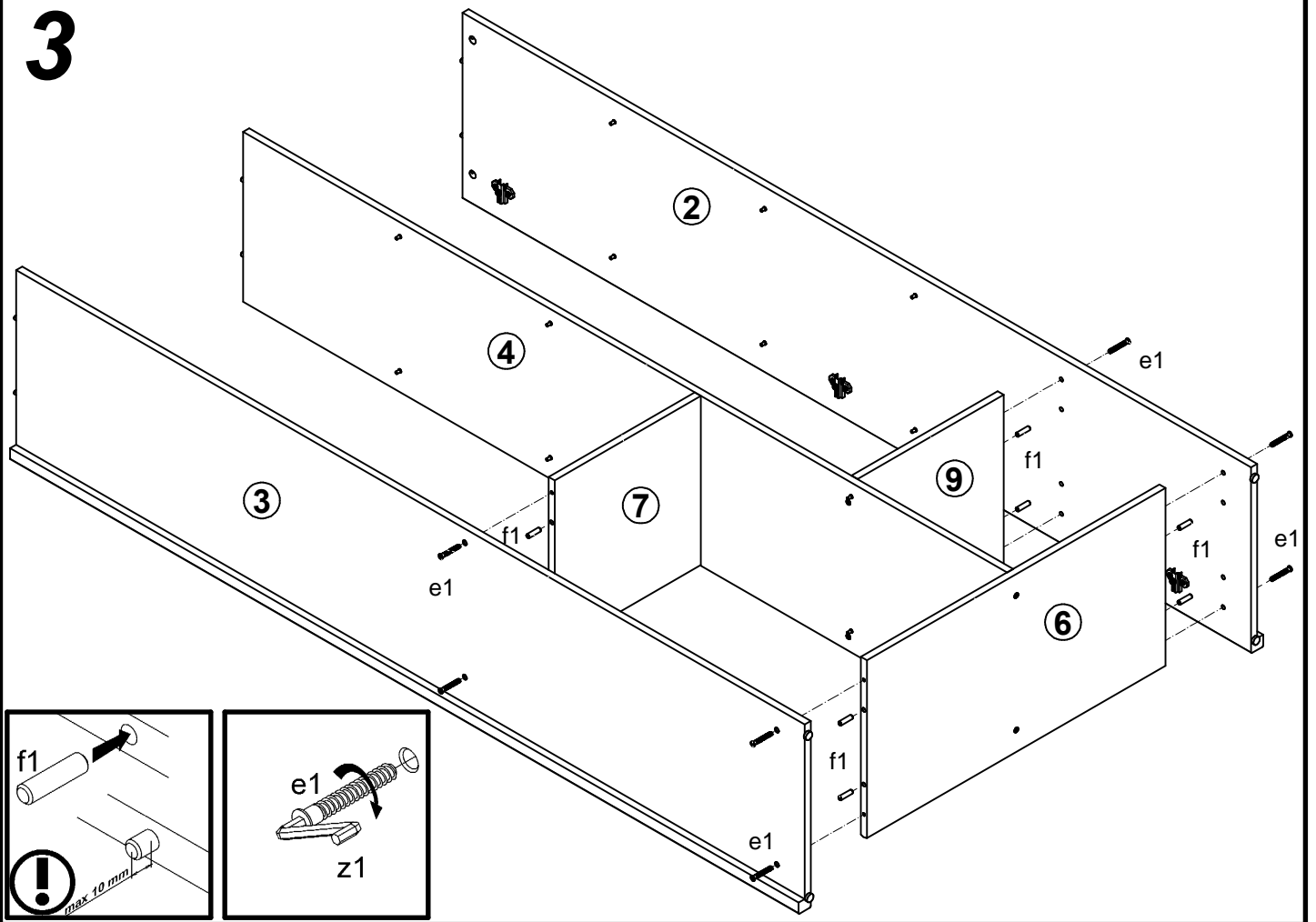
A	B	C	D
1	S153-009	1866	365
2	S153-111	1948	399
3	S153-112	1948	399
4	S153-113	1888	364
5	S153-204	800	403
6	S153-308	738	383
7	S153-309	361	364
8	S153-310	360	364
9	S153-312	361	364
10	S153-313	360	364
11	S153-577	1748	49
12	S153-909	1912	381
13	S153-915	1912	381



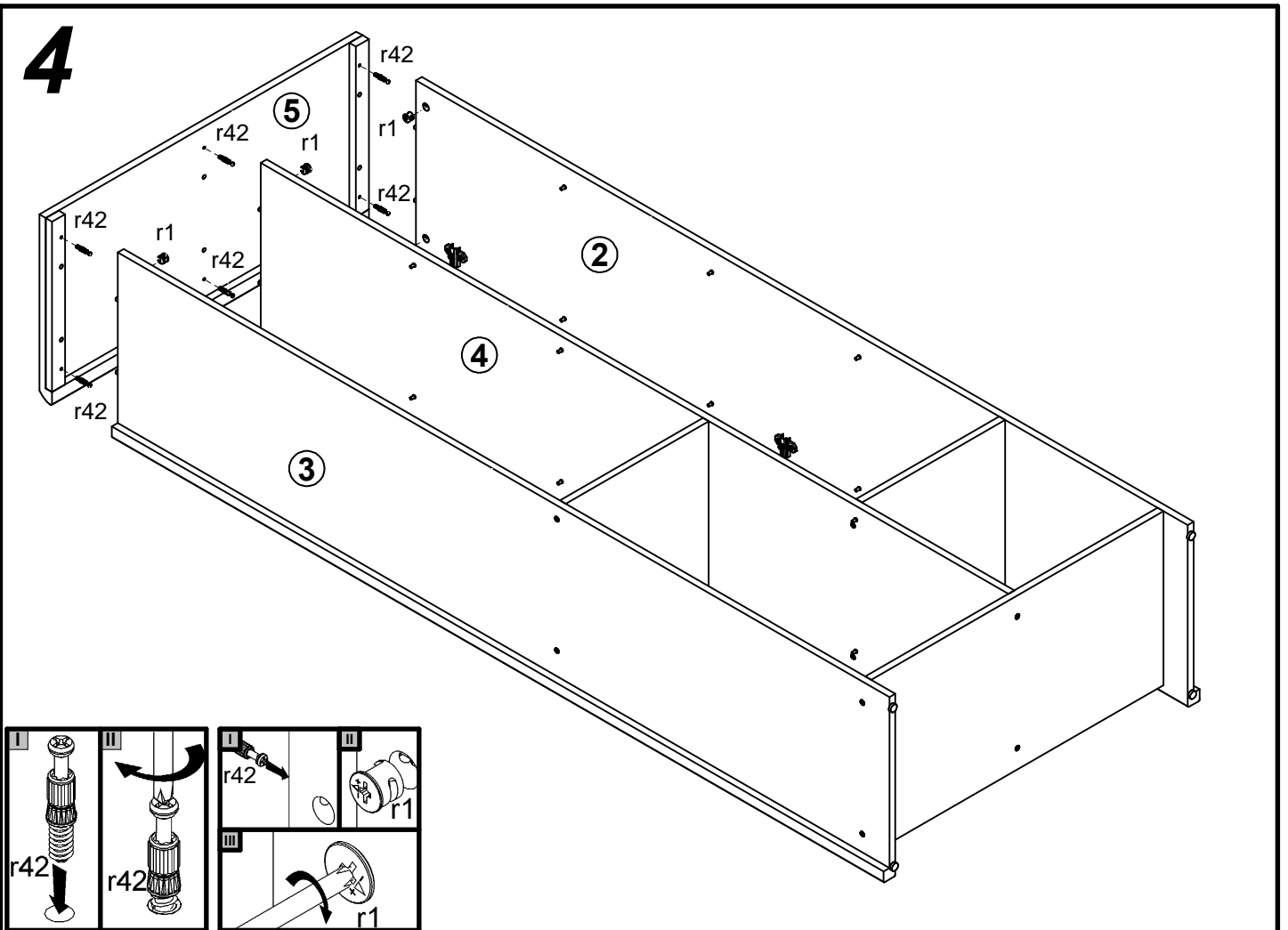
3x K16 a43	3x b19	24x φ5x17 mm d1	14x φ7x50 mm e1	6x φ6,3x13 mm e2	20x φ8x30 mm f1	4x k1	110x l1	6x φ3,5x15 mm p51
6x φ4x22 mm p60	6x φ1,5x12mm #16 r1	6x r42	1x z1	1x n26/1	1x φ3,5x16 mm p38	8x s1	6x φ16 s2	



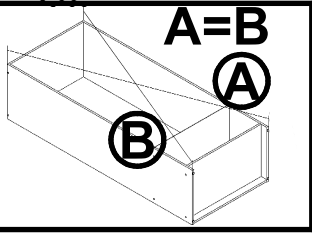
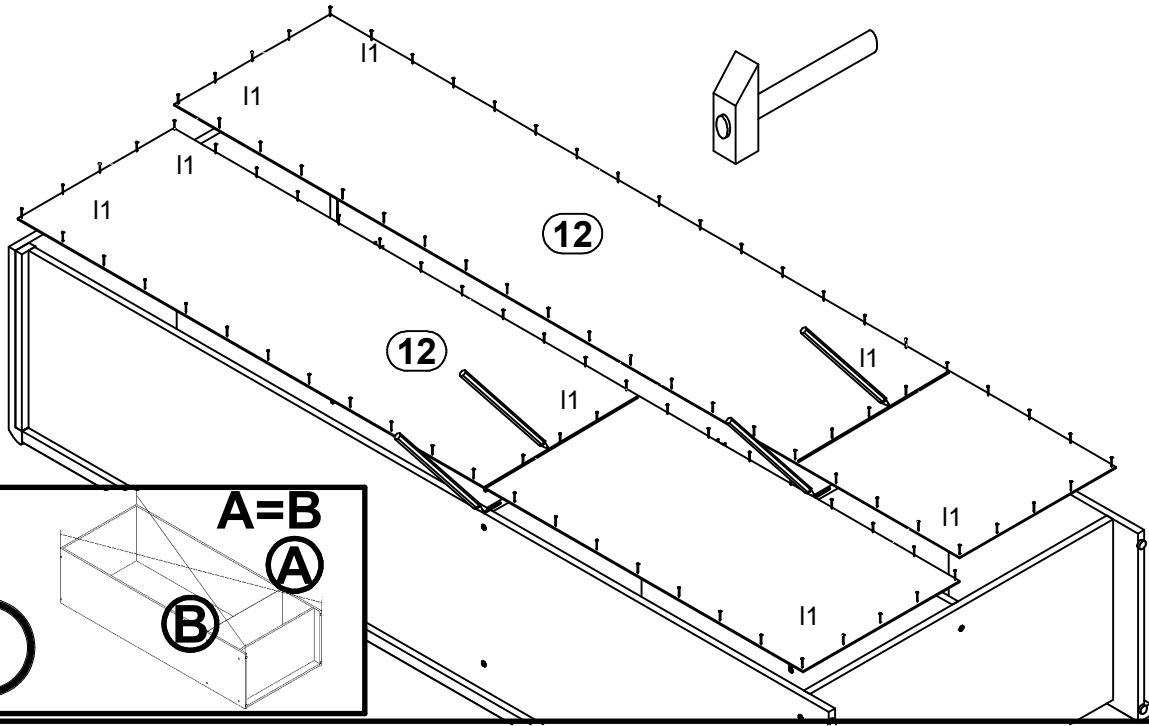
3



4



5



6

