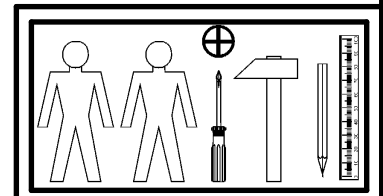
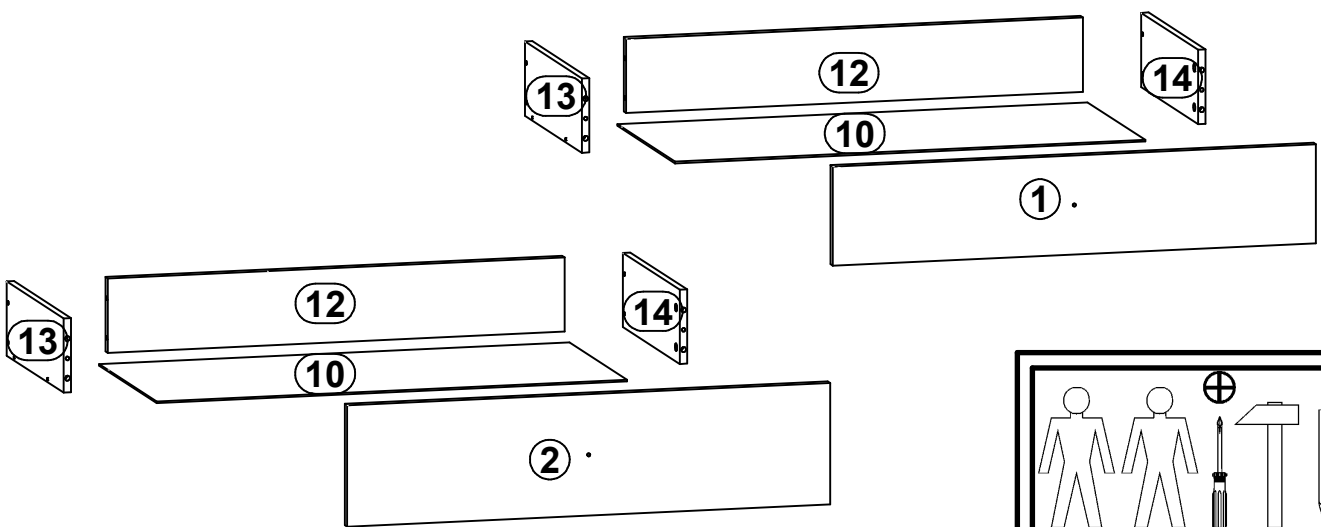
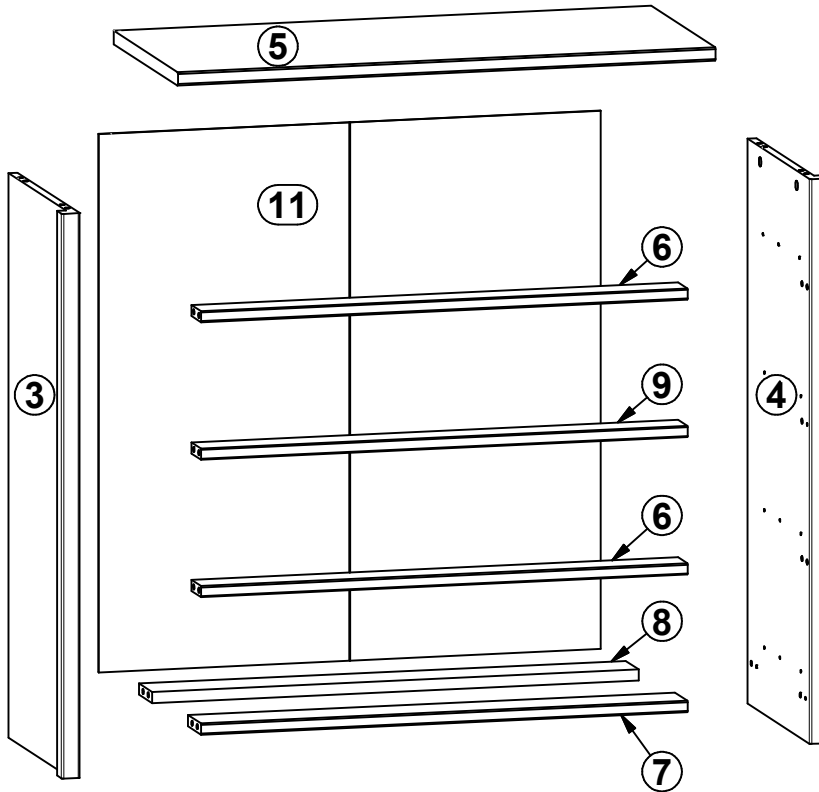
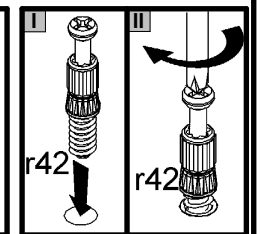
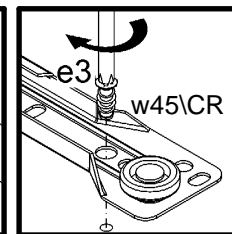
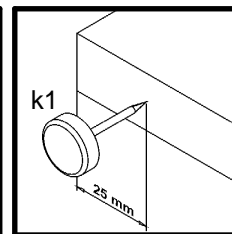
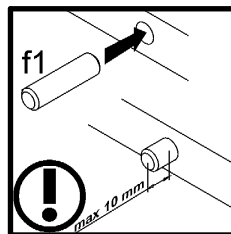
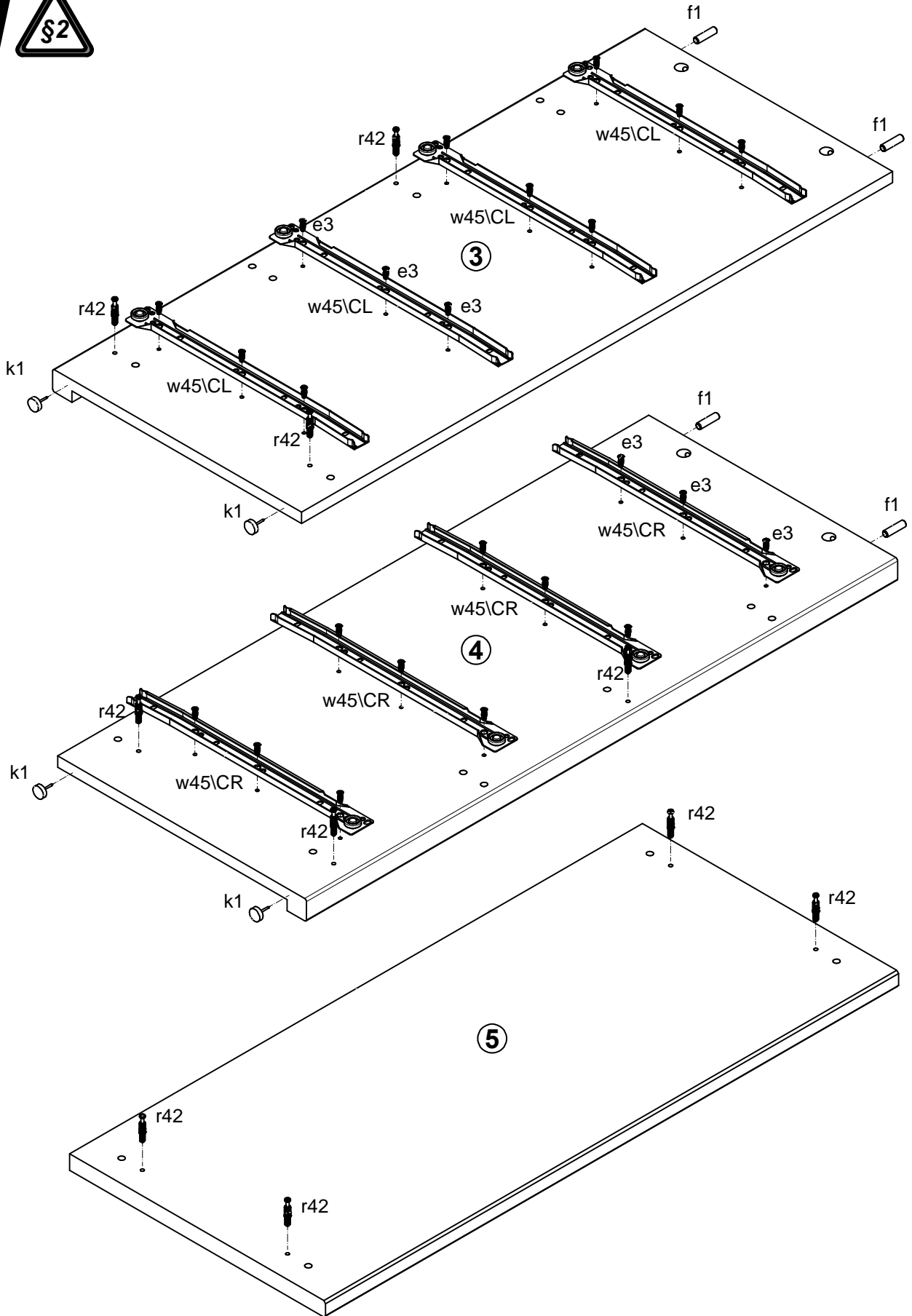


A	B	C	D	A	B	C	D		
1	S322-001	794	160	2/2	8	S322-403	800	80	1/2
2	S322-002	794	196	2/2	9	S322-404	800	60	1/2
3	S322-101	912	384	1/2	10	S322-902	773	355	1/2
4	S322-102	912	384	1/2	11	S322-903	869	825	1/2
5	S322-201	884	395	1/2	12	ZS3-5628	751	120	1/2
6	S322-401	800	60	1/2	13	ZS4-501	350	120	1/2
7	S322-402	800	80	1/2	14	ZS4-502	350	120	1/2

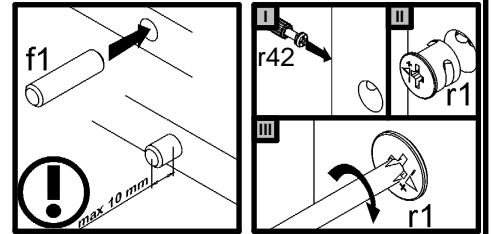
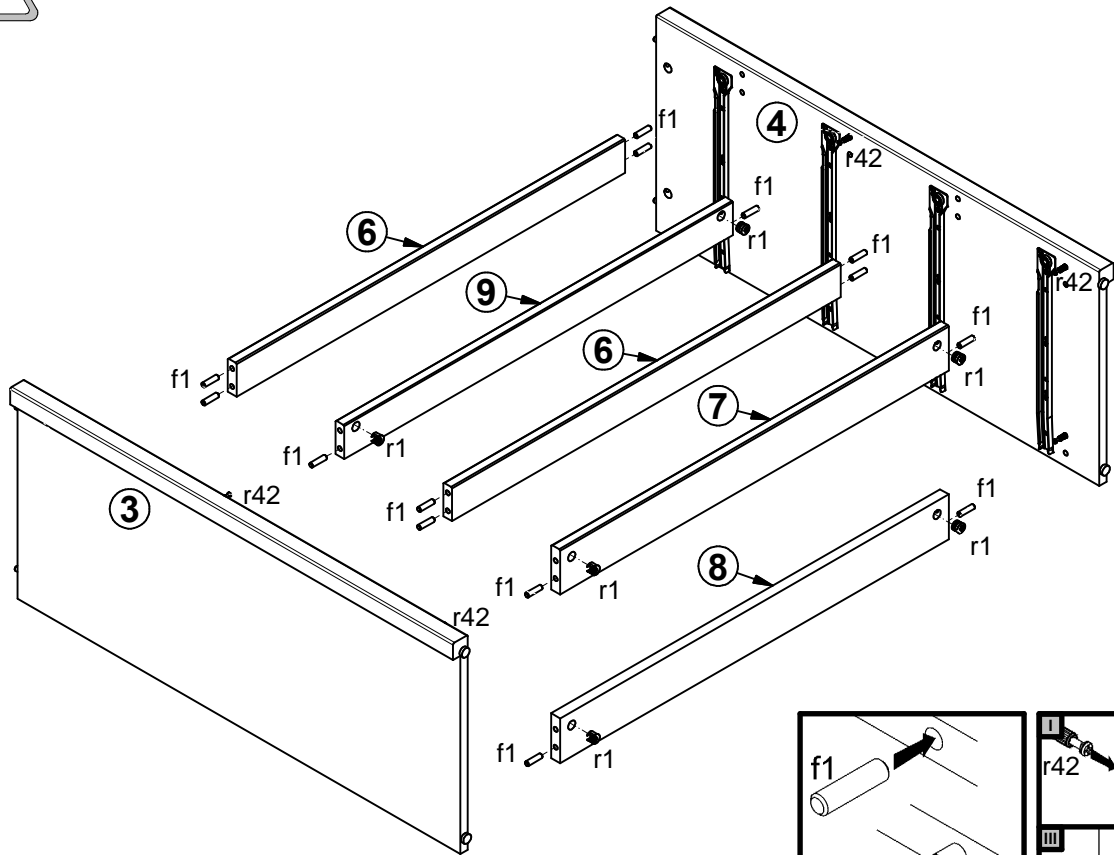


4x M4 c415	24x Ø6x13 mm e3	16x Ø5x9 mm e19	18x Ø8x30 mm f1	8x Ø6x30 mm f9	16x Ø6.5x40 mm f25	4x M4x20 mm j1	4x k1	35x l1
4x Ø3.5x16 mm p25	4x Ø3.5x10 mm p35	24x Ø3.5x16 mm p38	10x Ø15x12 mm #16 r1	16x Ø12x10.5 mm #12 r15	26x 20x11 r42	4x 350 mm t35	4x 350 mm w45\CL	4x 350 mm w45\CR
4x 350 mm w45\DL	4x 350 mm w45\DR	2x Ø16 s2	1x n26\1	1x Ø3.5x16 mm p38				

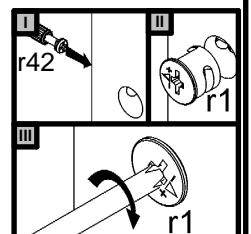
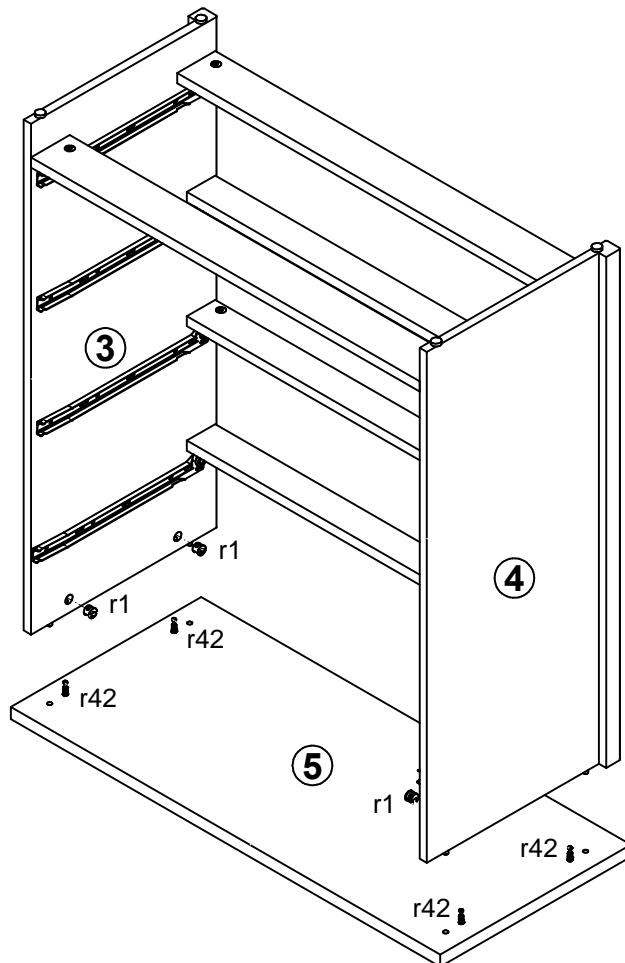
1 



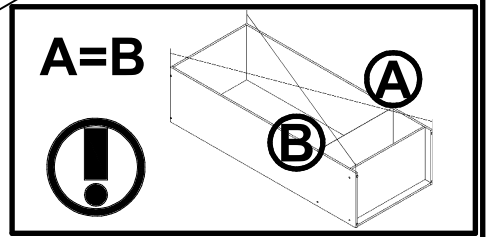
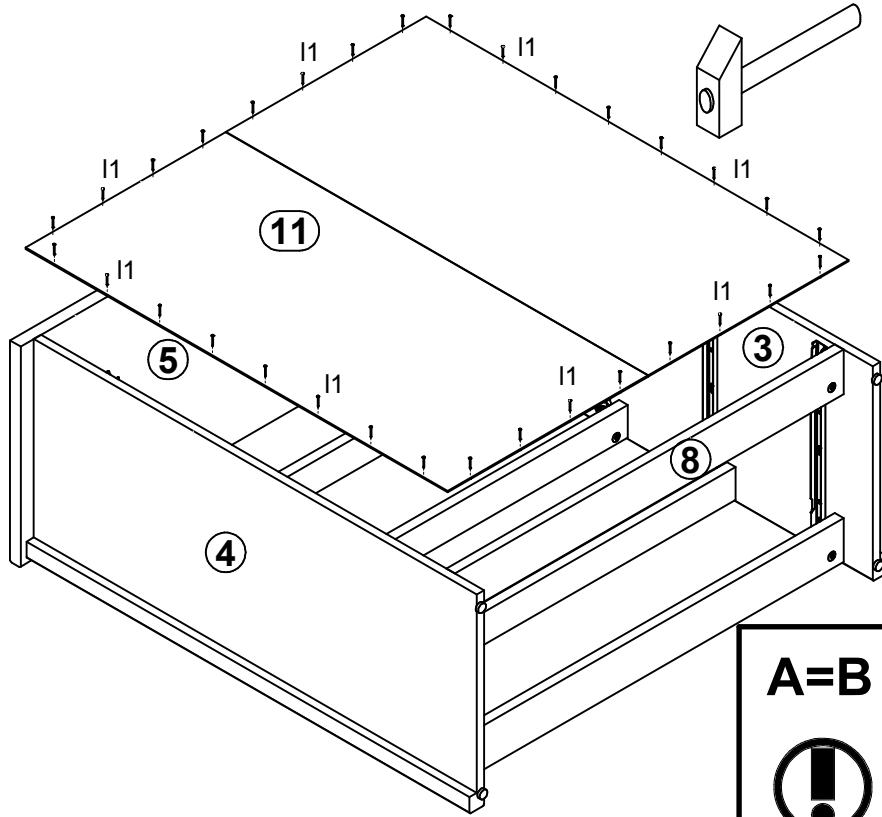
2



3



4



5

