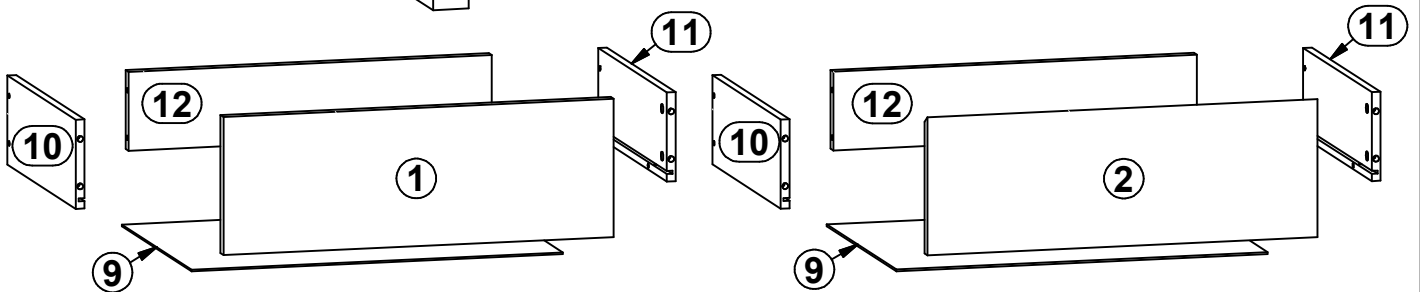
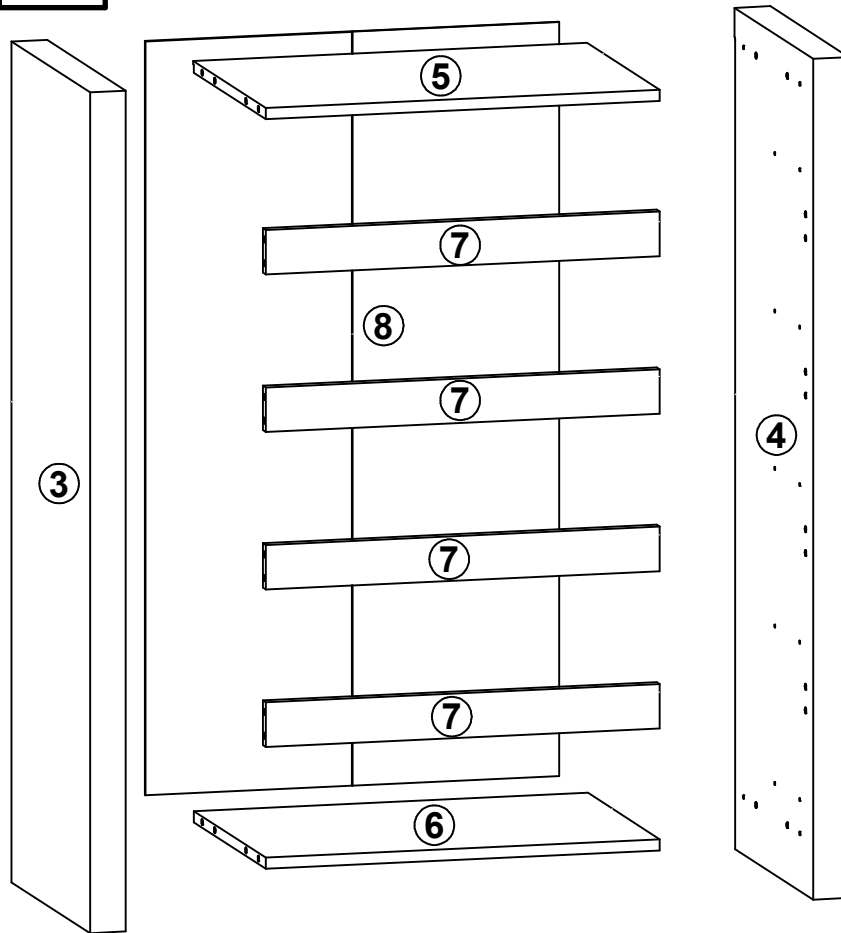
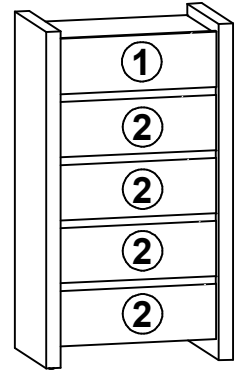


VENOM MIX

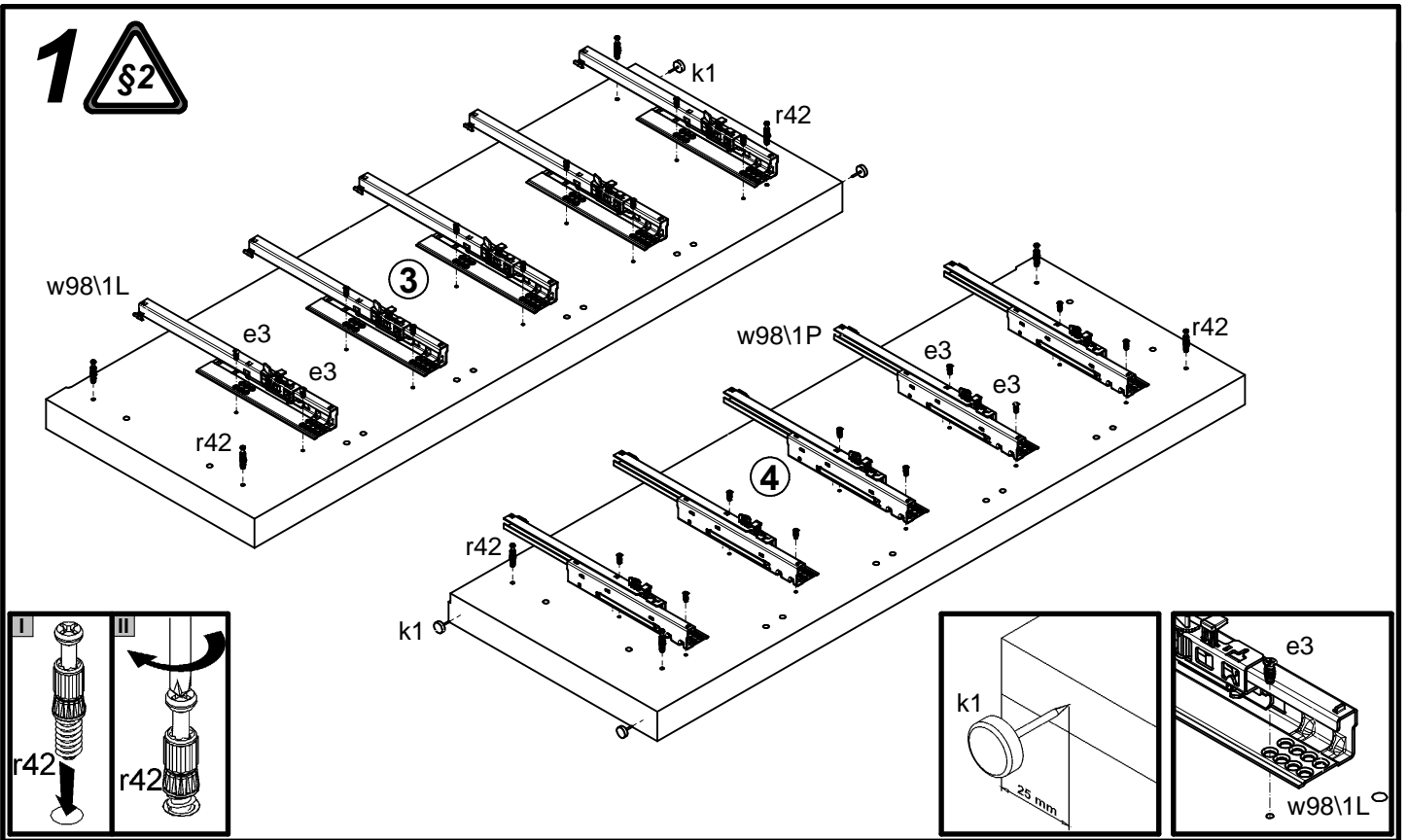
S192-KOM5S

A	B	C	D
1	S192-003	535	186
2	S192-004	535	186
3	S139-107	1132	402
4	S139-108	1132	402
5	S139-306	540	371
6	S139-307	540	367
7	S139-402	540	60
8	S139-904	1015	567
9	S139-905	509	356,
10	ZT1-501	350	120
11	ZT1-502	350	120
12	ZT1-507	498	106

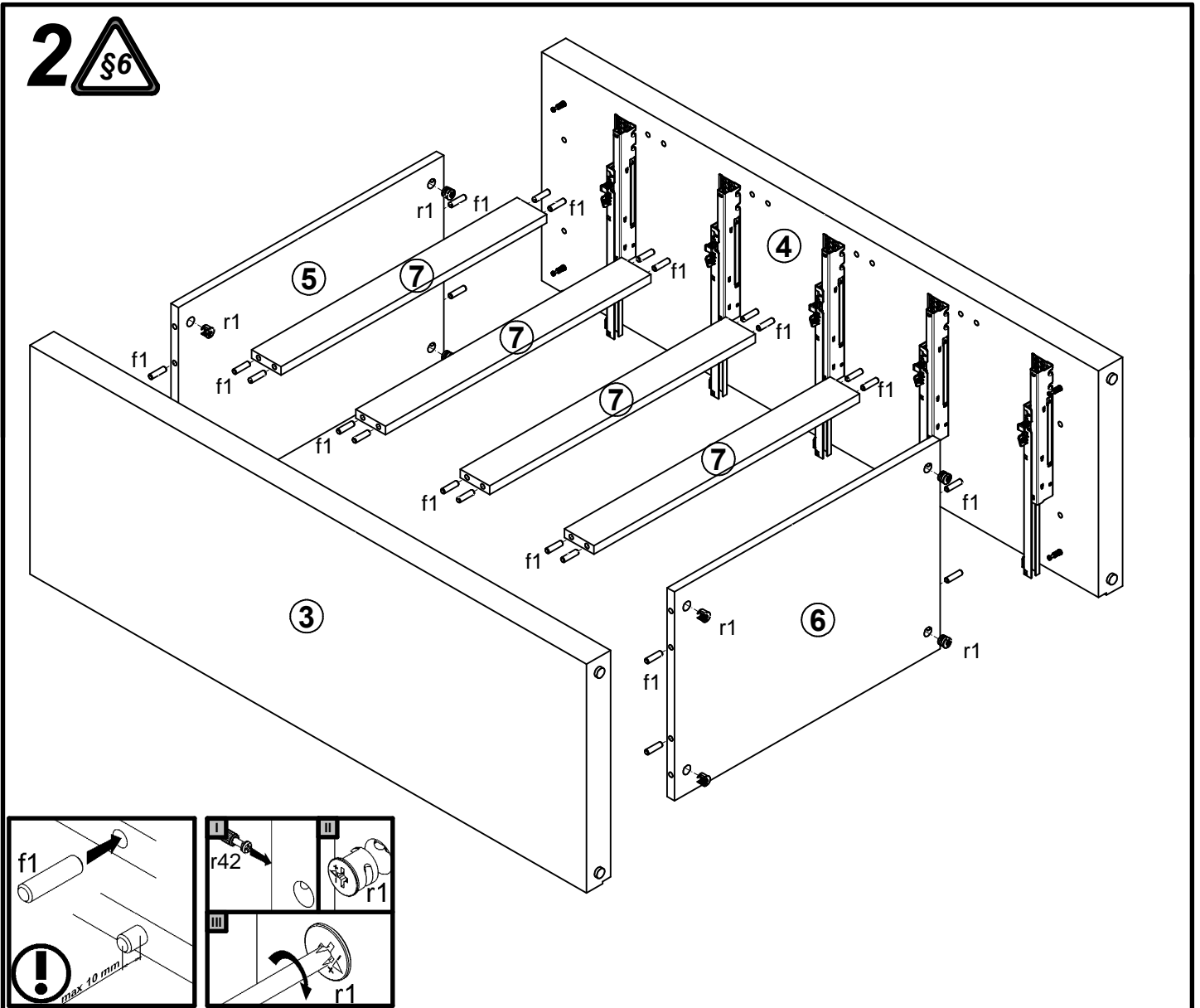


 20x <small>Ø6x13 mm</small> e3	 24x <small>Ø8x30 mm</small> f1	 20x <small>Ø6.5x40 mm</small> f25	 4x k1	 40x l1	 20x <small>Ø3.5x16 mm</small> p38	 8x <small>Ø15x12 mm #16</small> r1	 20x <small>Ø12x10.5 mm #12</small> r15	 28x r42
 5x <small>360 mm</small> w98/1L	 5x <small>360 mm</small> w98/1P	 1x n26/1	 1x <small>Ø3.5x16 mm</small> p38					

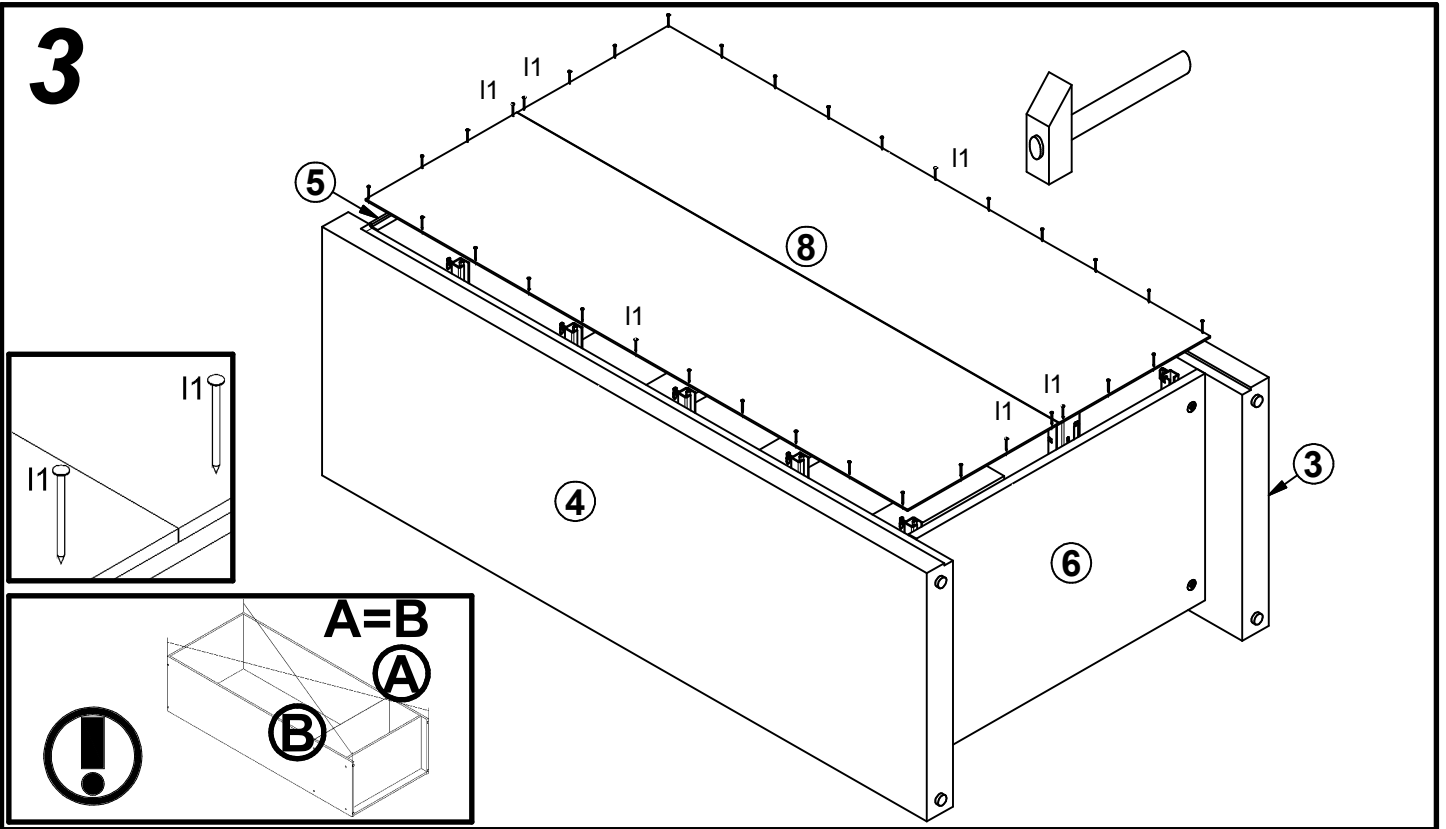
1



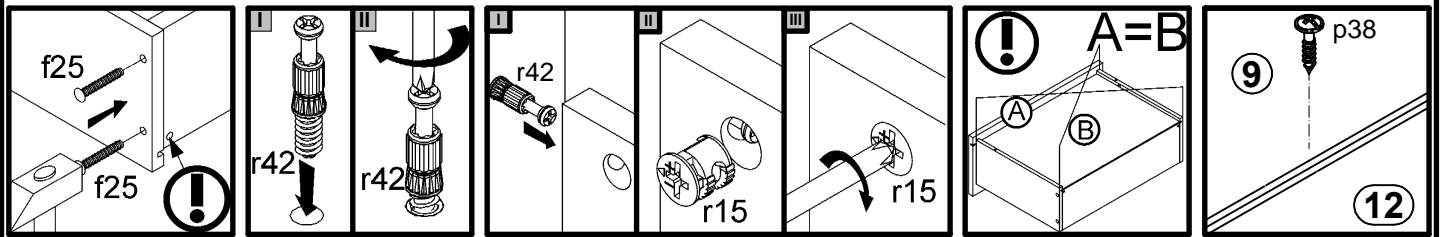
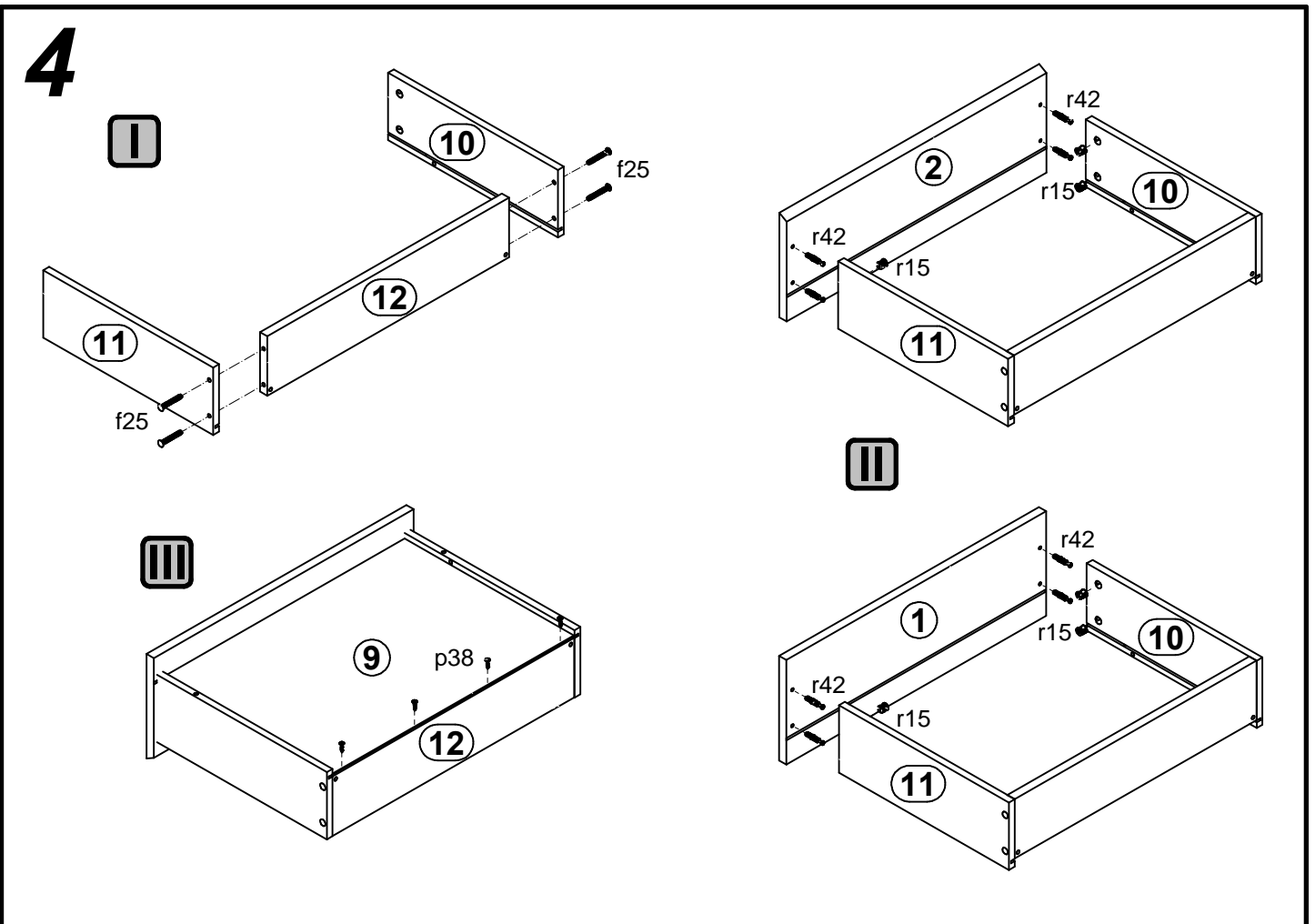
2



3



4



5

