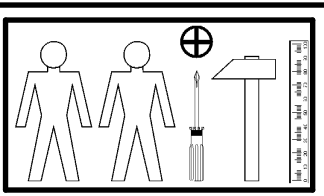
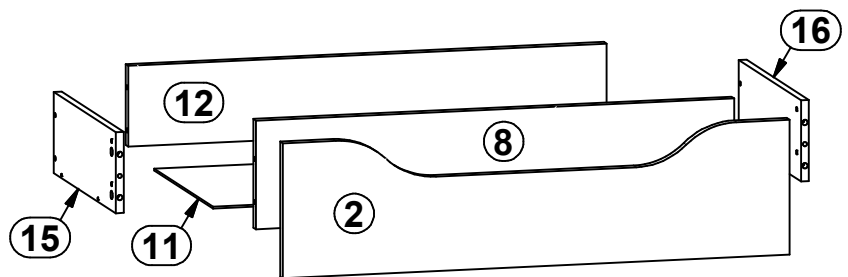
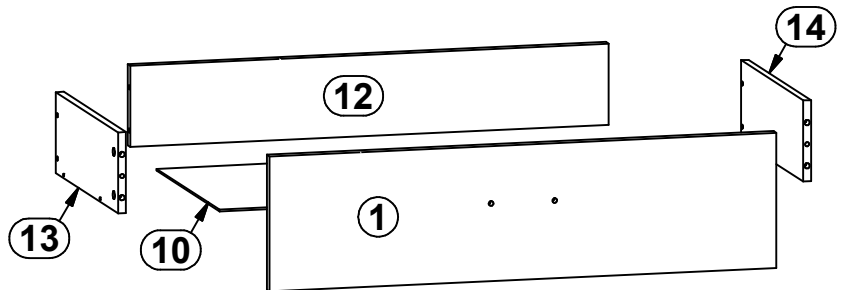
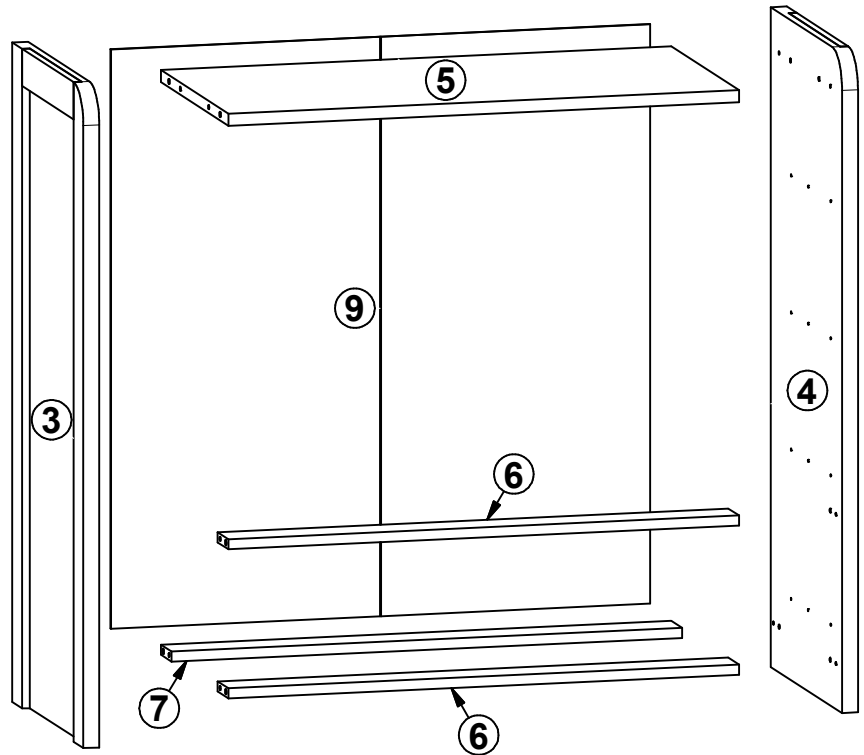
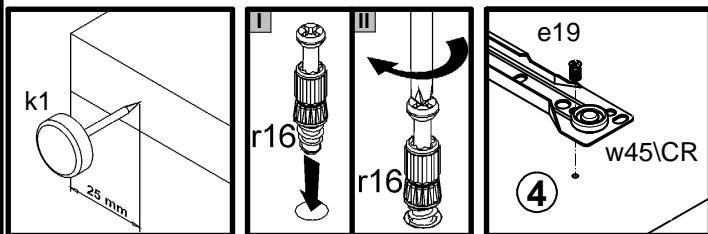
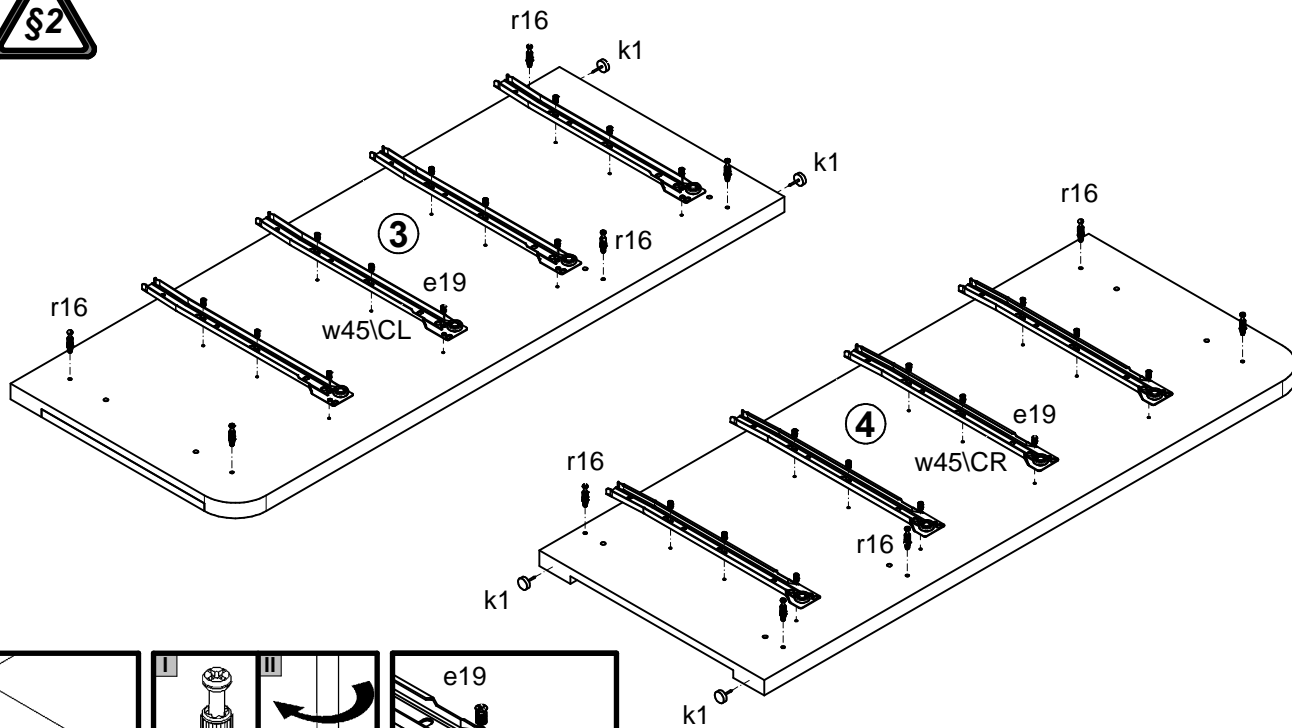


A	B	C	D
1	S193-001	764	200
2	S193-002	764	200
3	S193-101	977	400
4	S193-102	977	400
5	S193-316	770	380
6	S193-401	770	60
7	S193-402	770	60
8	S193-403	721	161
9	S193-901	858	813
10	S193-902	743	355
11	S193-903	743	330
12	ZS3-5554	721	120
13	ZT4-501	350	120
14	ZT4-502	350	120
15	ZT5-501	350	120
16	ZT5-502	350	120

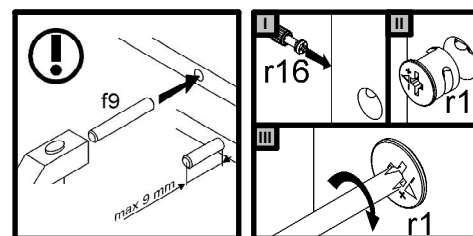
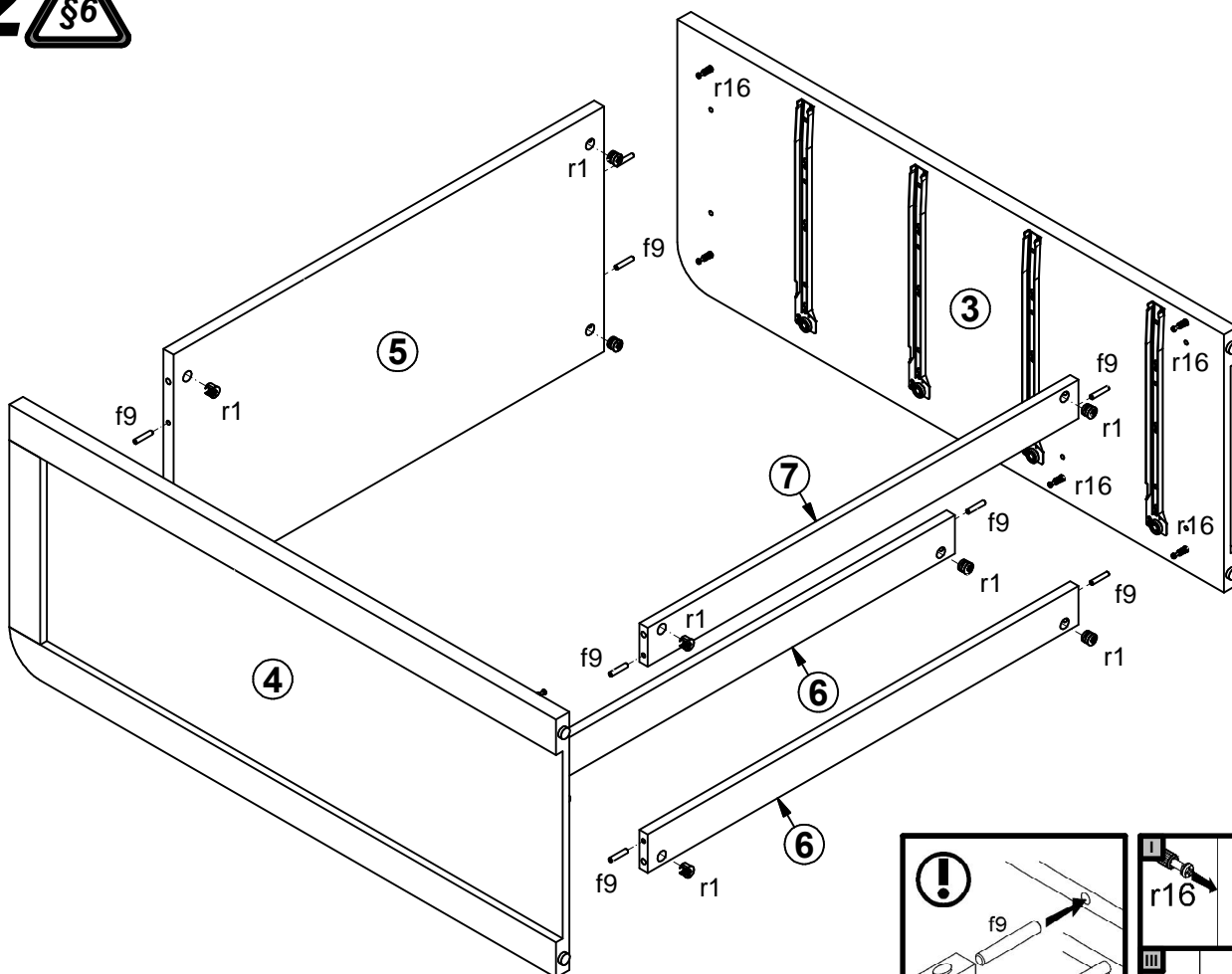


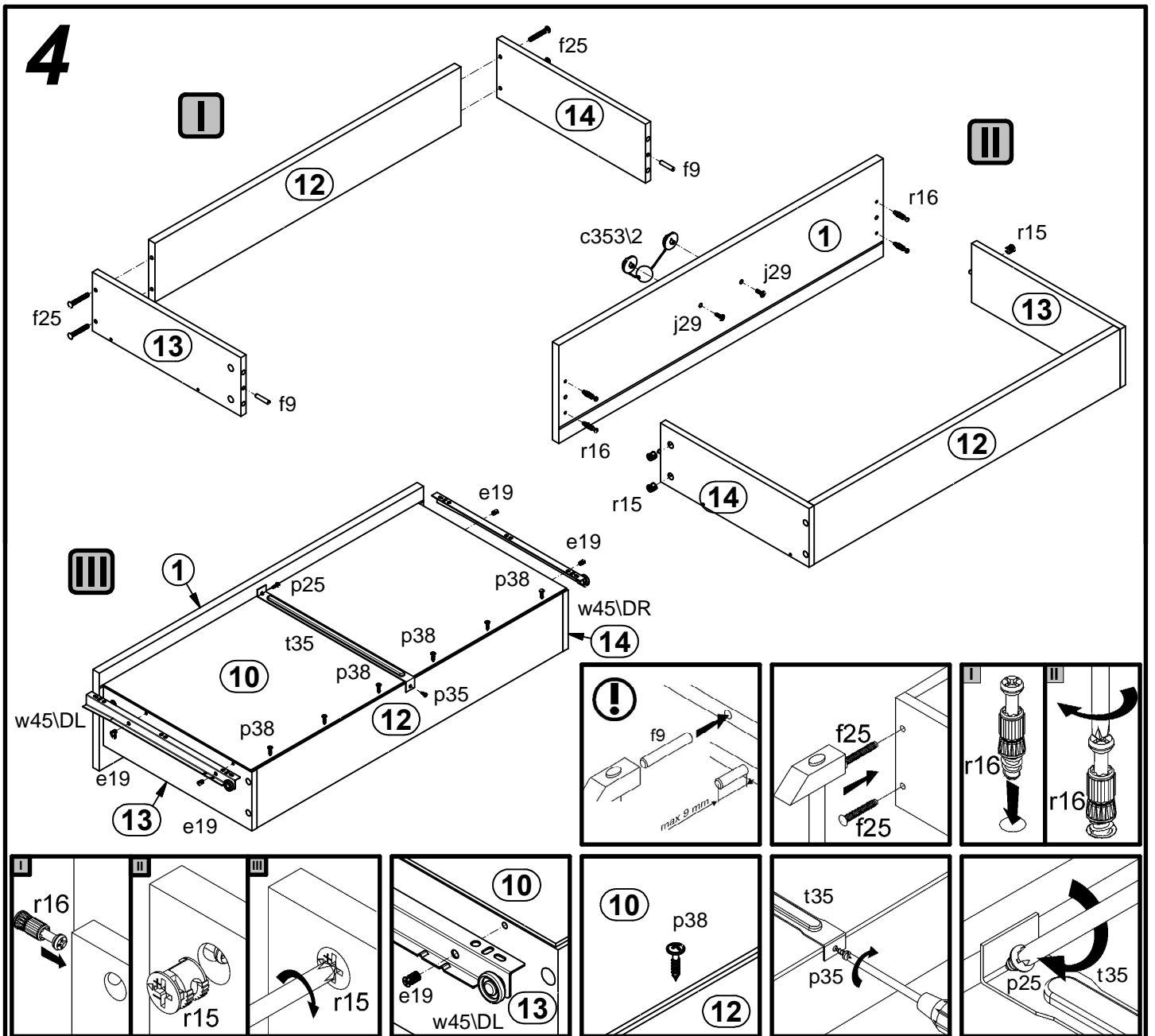
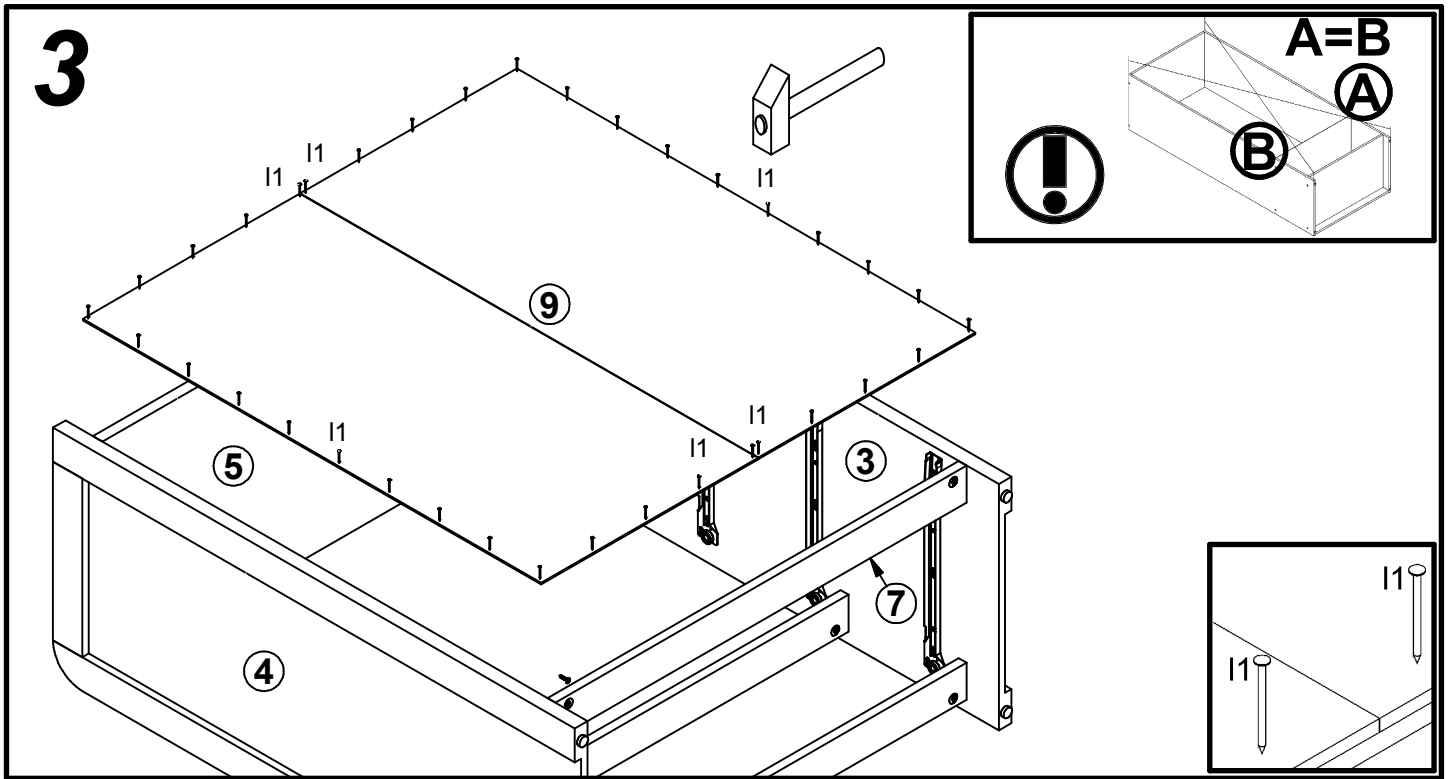
3x  c353i2	40x  e19	20x  f25	18x  f9	6x  j29	4x  k1	35x  l1	3x  p25	3x  p35
32x  p38	10x  r1	16x  r15	26x  r16	3x  t35	4x  w45iCL	4x  w45iCR	4x  w45iDL	4x  w45iDR
1x  n26i1	1x  p38							

# 1

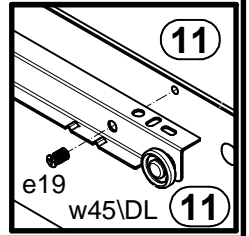
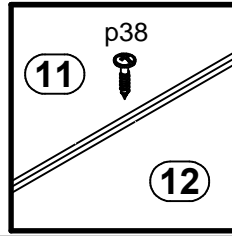
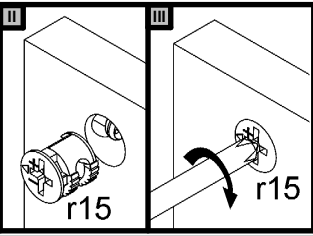
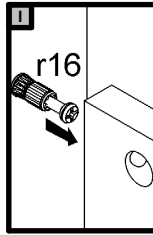
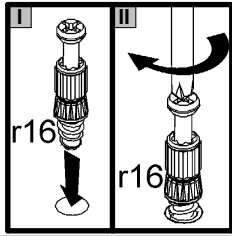
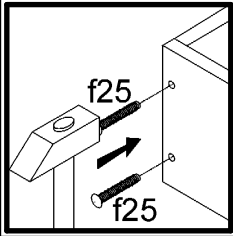
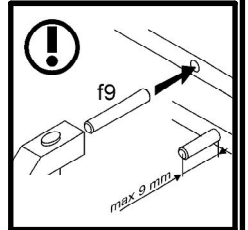
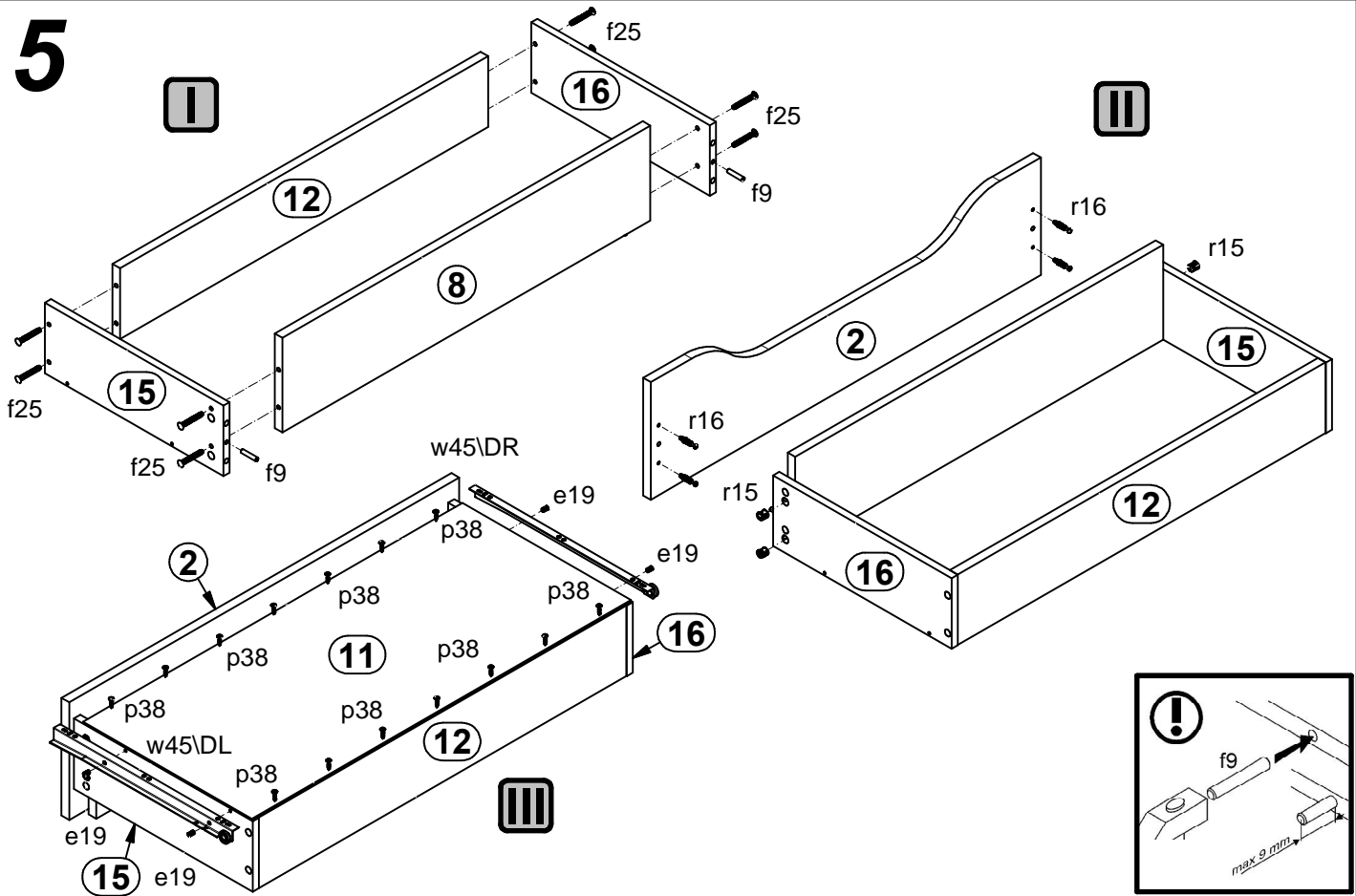


# 2





# 5



# 6

