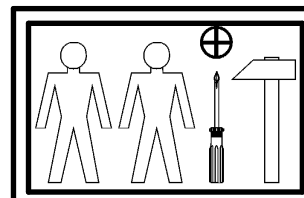
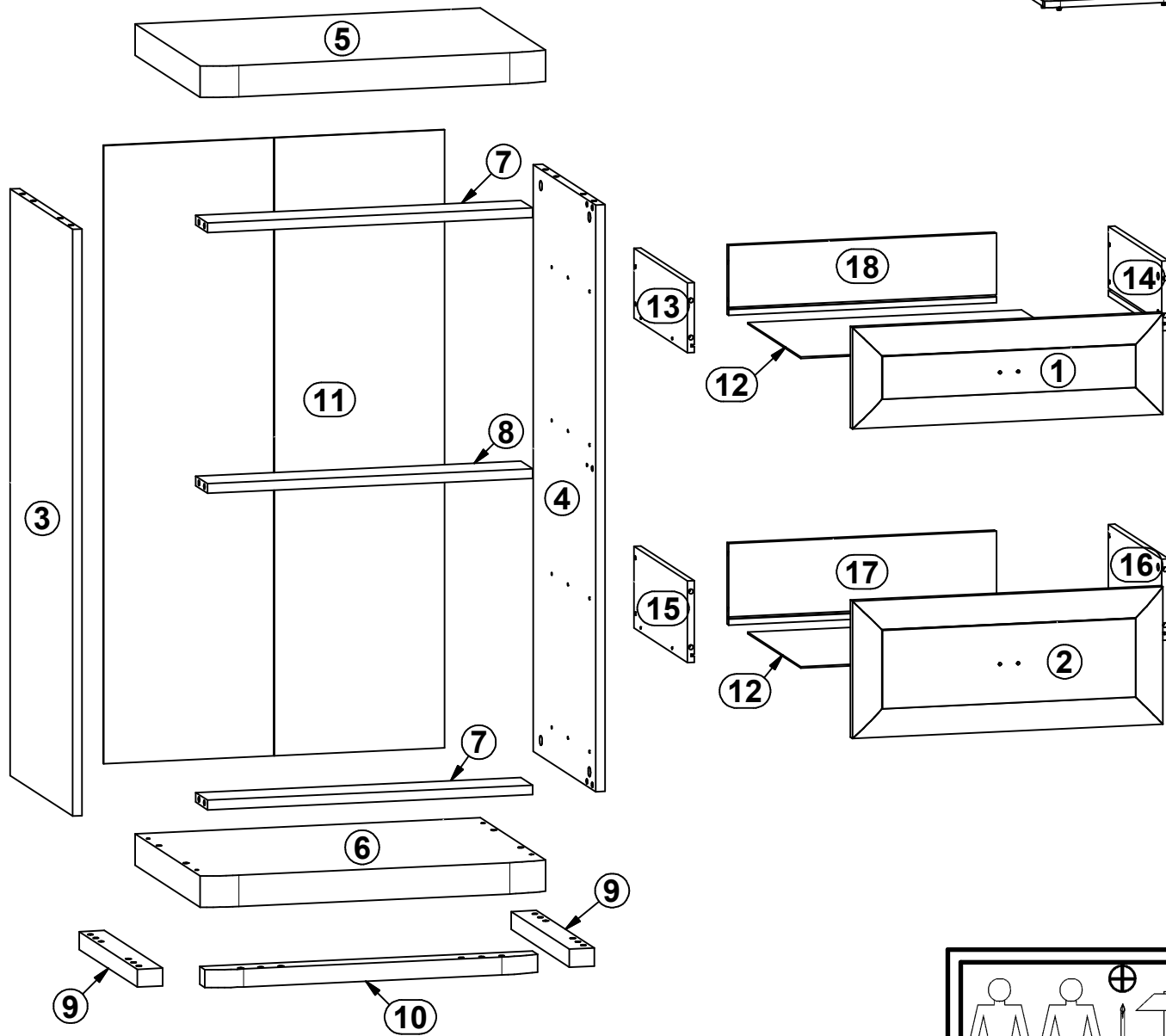
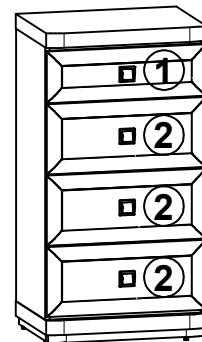


# OREGON

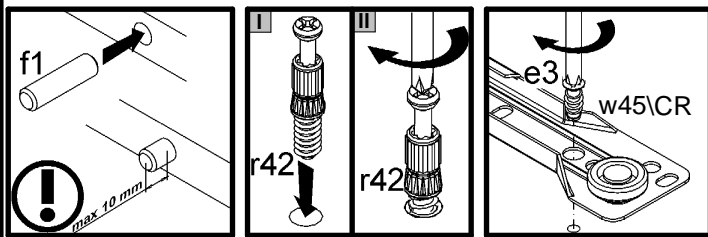
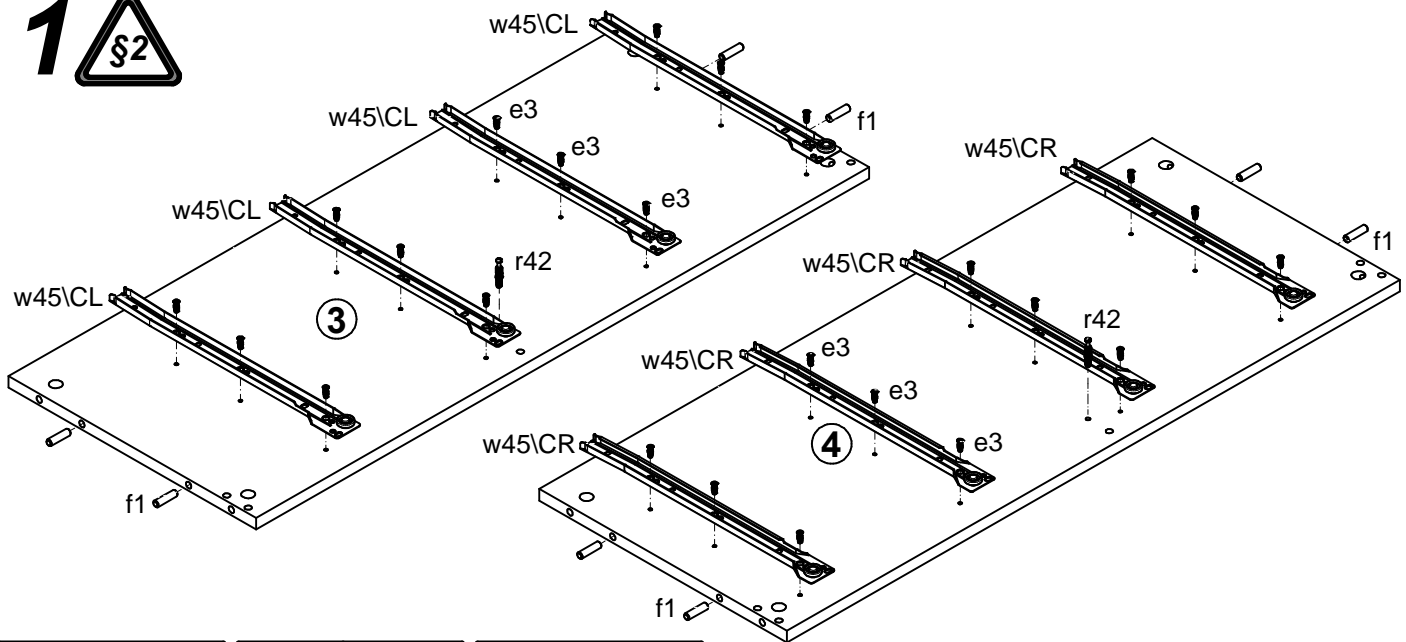
# S157-KOM4S

A	B	C	D	A	B	C	D		
1	S157-009	544	174	3/3	10	S157-505	530	40	2/3
2	S157-010	544	236	3/3	11	S157-910	967	543	1/3
3	S157-115	918	371	1/3	12	S157-911	480	348	1/3
4	S157-116	918	371	1/3	13	ZS2-511	350	120	1/3
5	S157-208	550	396	2/3	14	ZS2-512	350	120	1/3
6	S157-209	550	396	2/3	15	ZS2-531	350	140	1/3
7	S157-404	518	70	2/3	16	ZS2-532	350	140	1/3
8	S157-405	518	70	1/3	17	ZS2-5587	469	140	1/3
9	S157-502	346	40	2/3	18	ZS2-5588	469	120	1/3

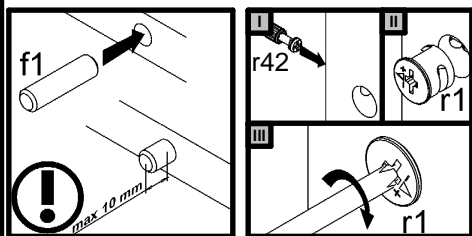
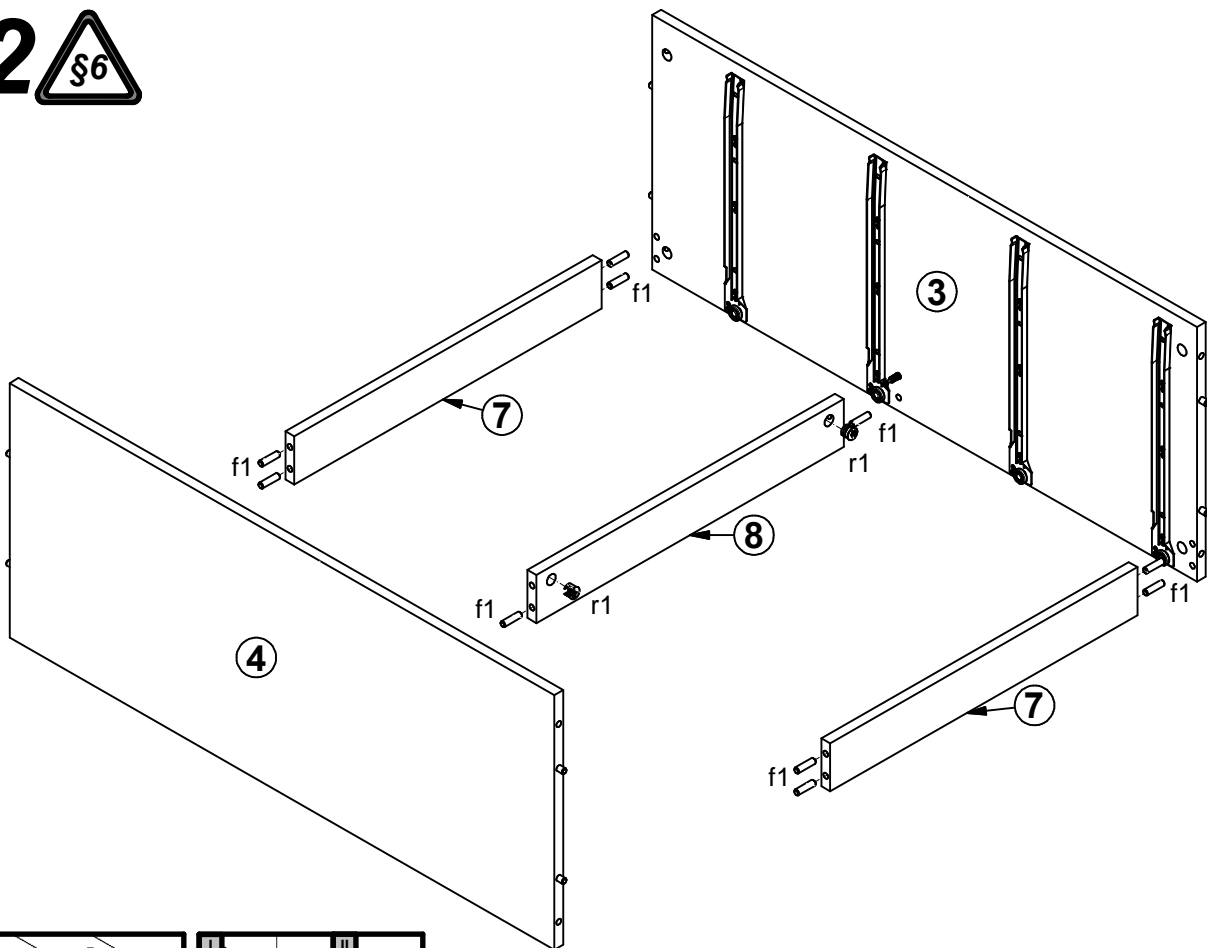


4x  c333	6x  e1 φ7x50 mm	16x  e19 φ5x9 mm	24x  e3 φ6x13 mm	24x  f1 φ8x30 mm	16x  f25 φ6.5x40 mm	8x  j59 M4x18 mm	4x  k39/2 M6/φ8x14 mm	4x  k39/3 M6/22mm
35x  l1	10x  r1 φ1.5x12mm #16	16x  r15 φ12x10.5mm #12	26x  r42	4x  w45/CL 350 mm	4x  w45/CR 350 mm	4x  w45/DL 350 mm	4x  w45/DR 350 mm	2x  s2 φ16
1x  z1	1x  n26/1	1x  p38 φ3.5x16 mm						

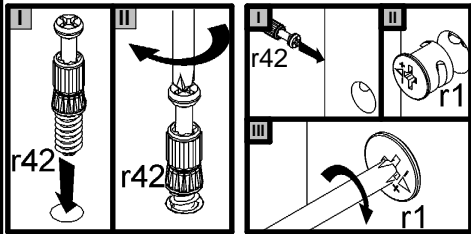
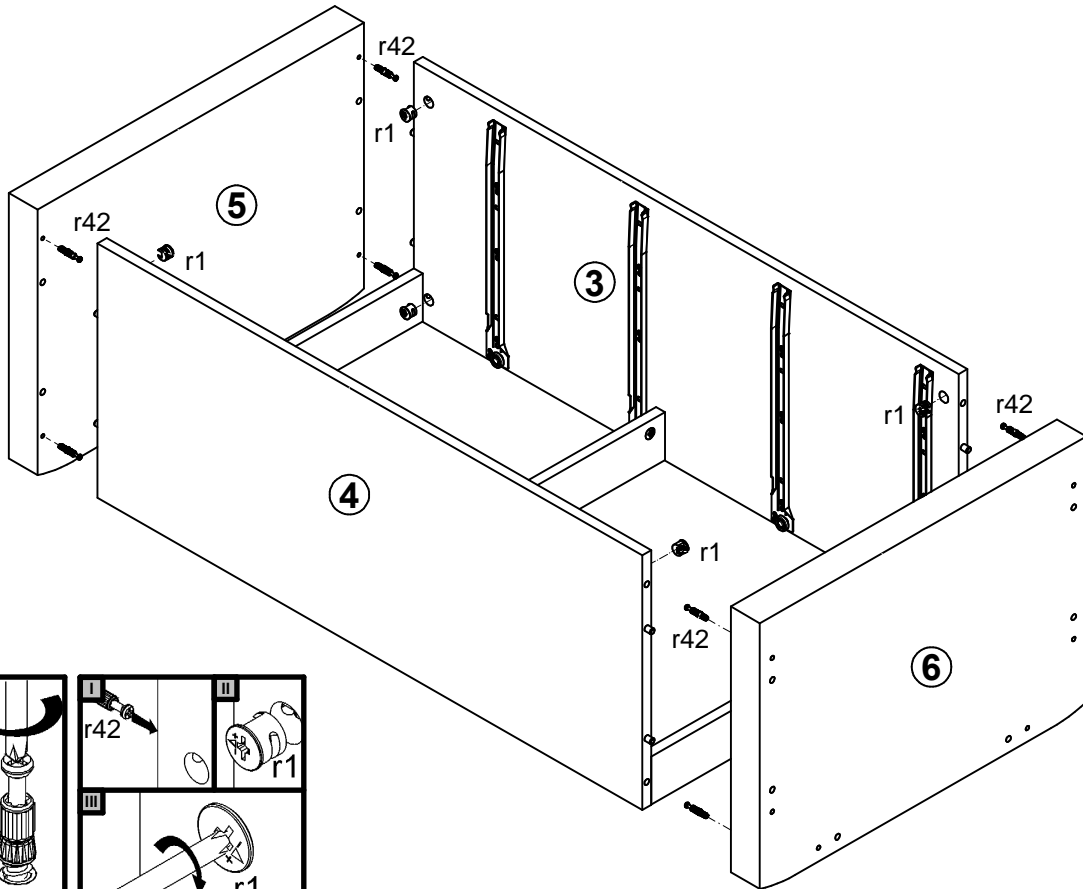
# 1



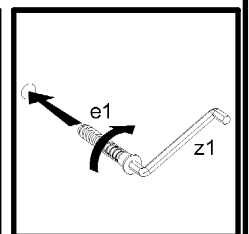
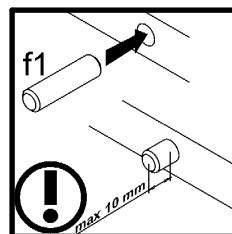
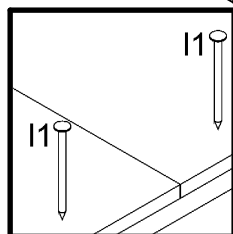
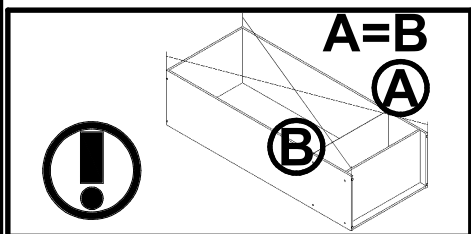
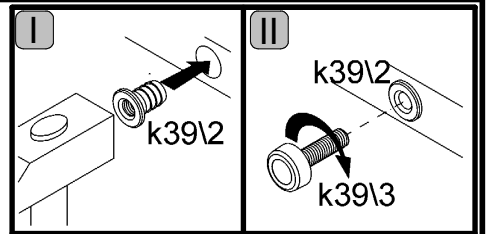
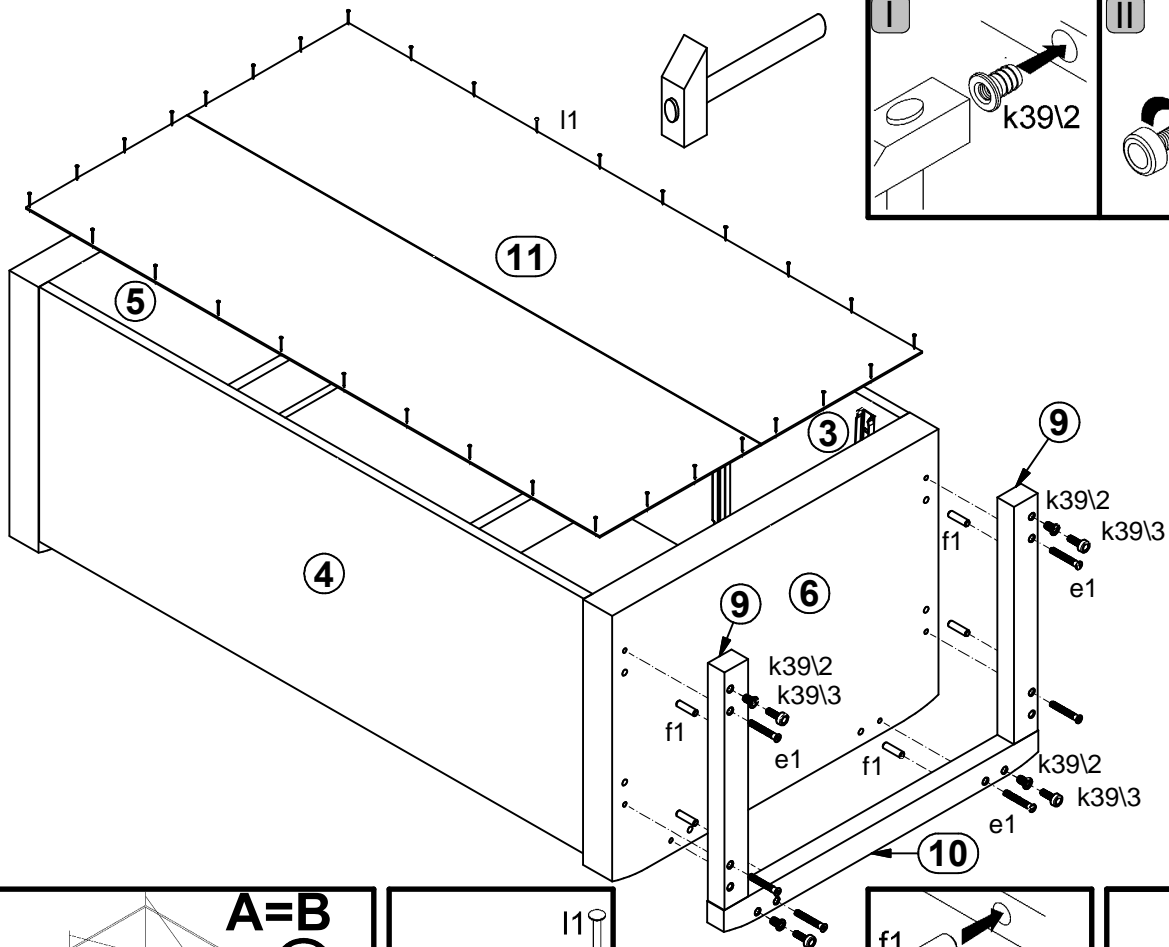
# 2



# 3

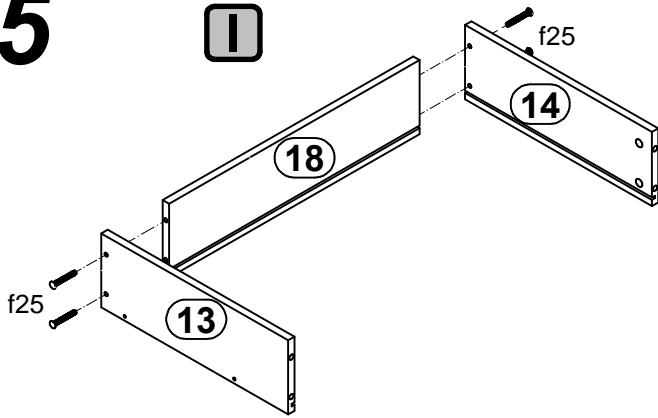


# 4

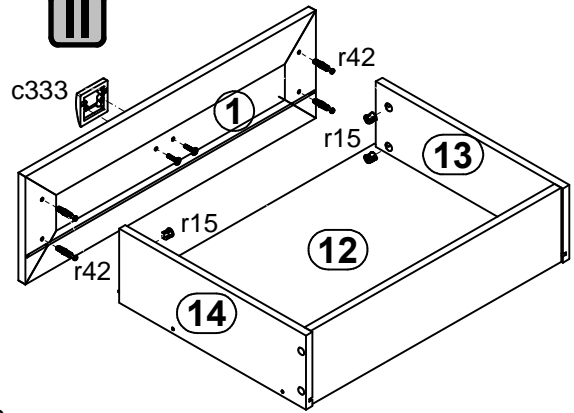


# 5

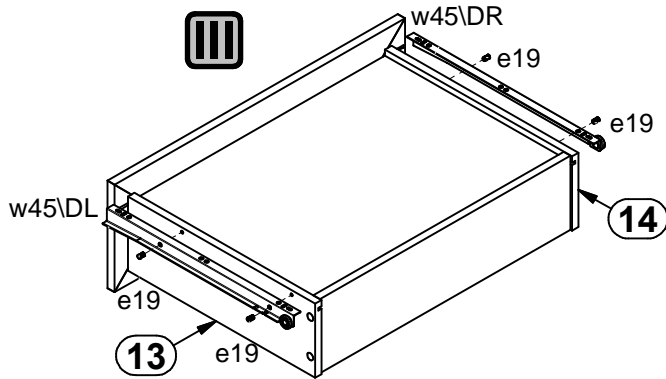
**I**



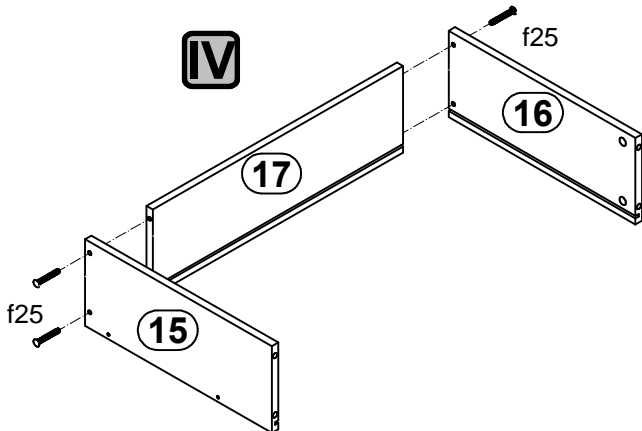
**II**



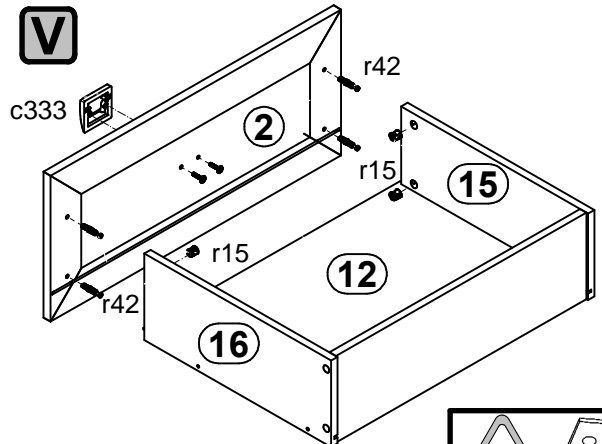
**III**



**IV**



**V**



**VI**

