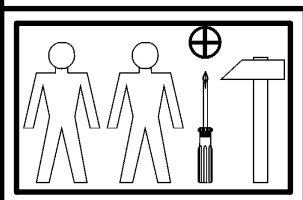
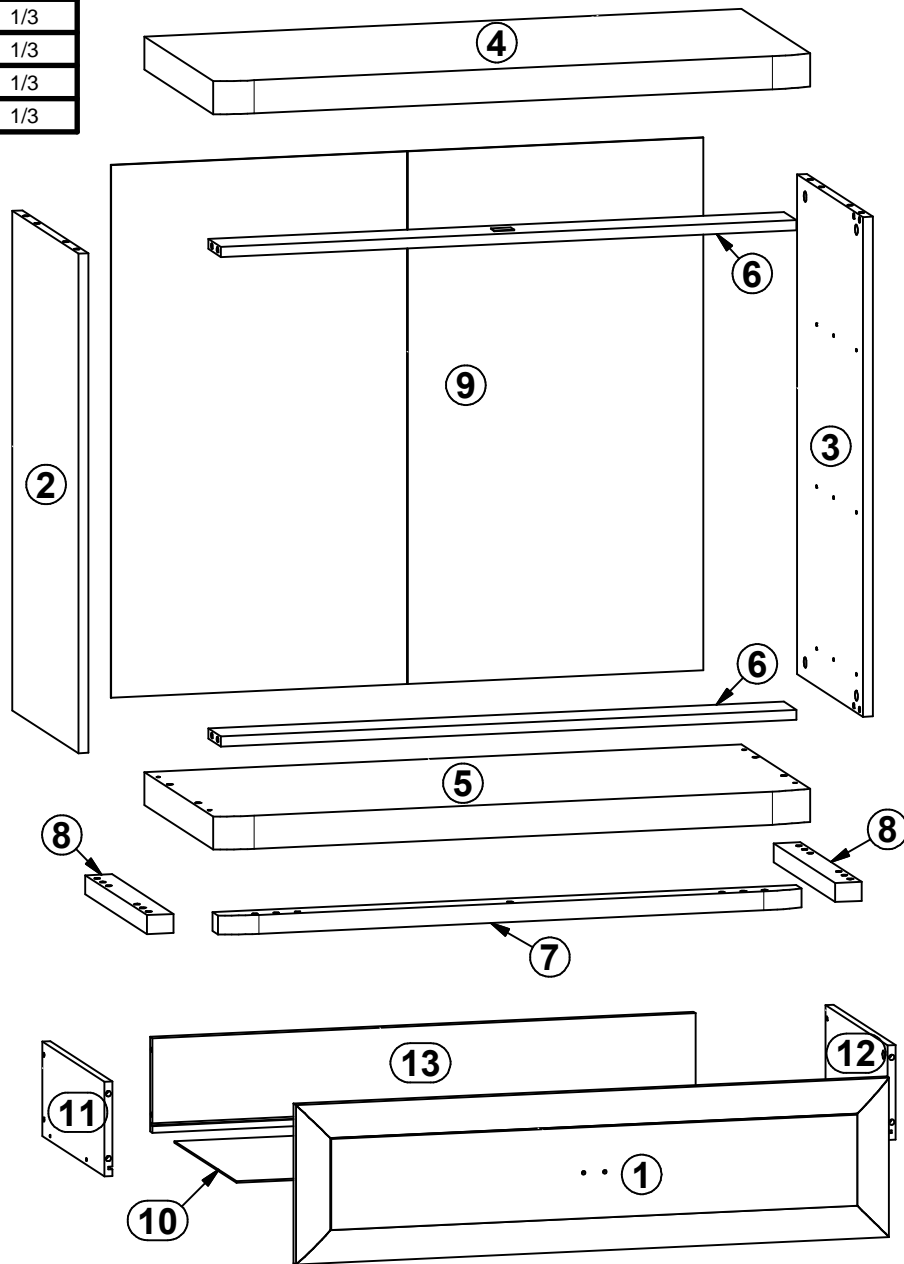
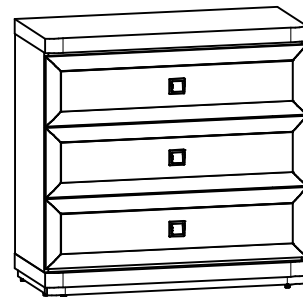
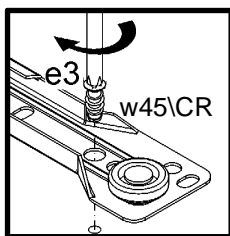
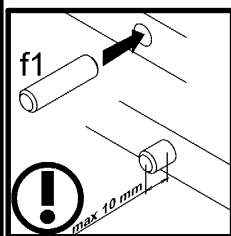
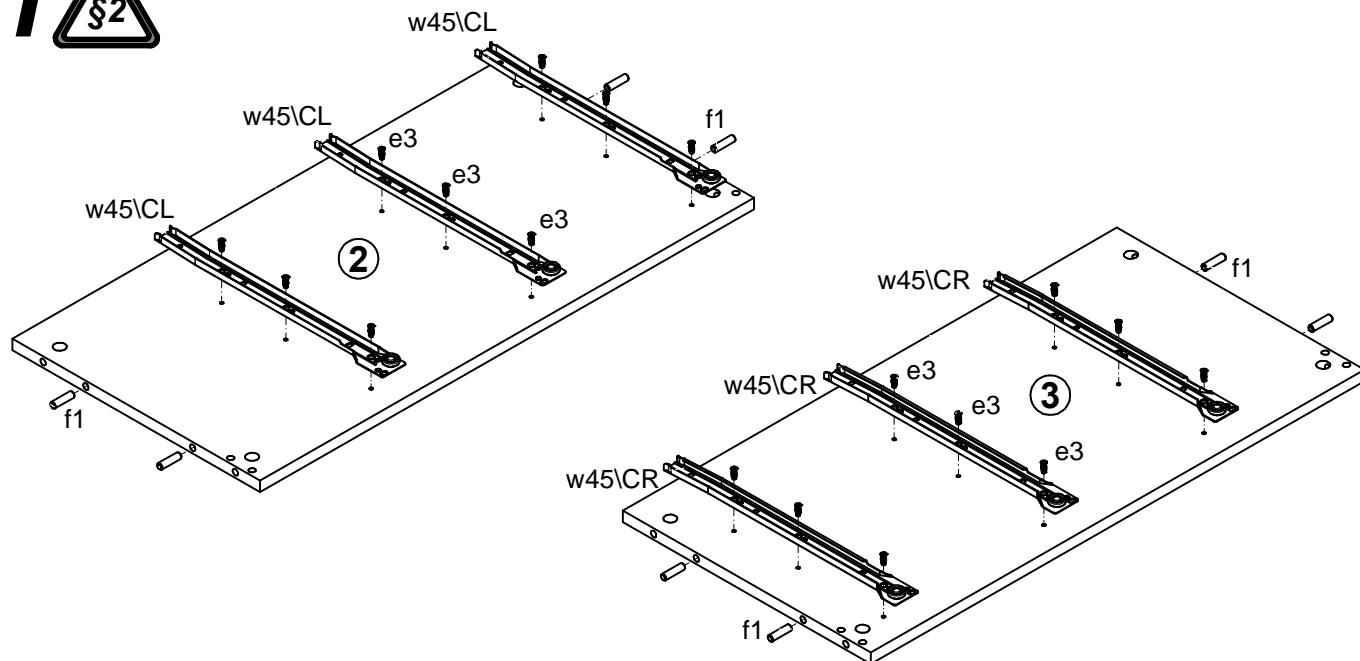


A	B	C	D
1	S157-002	894	236
2	S157-101	740	371
3	S157-102	740	371
4	S157-201	900	396
5	S157-202	900	396
6	S157-401	868	70
7	S157-501	880	40
8	S157-502	346	40
9	S157-901	789	893
10	S157-902	830	348
11	ZS2-531	350	140
12	ZS2-532	350	140
13	ZS2-5585	819	140

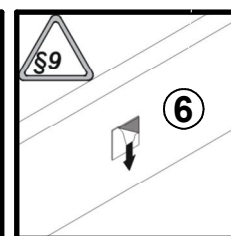
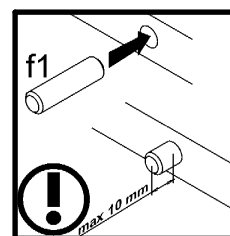
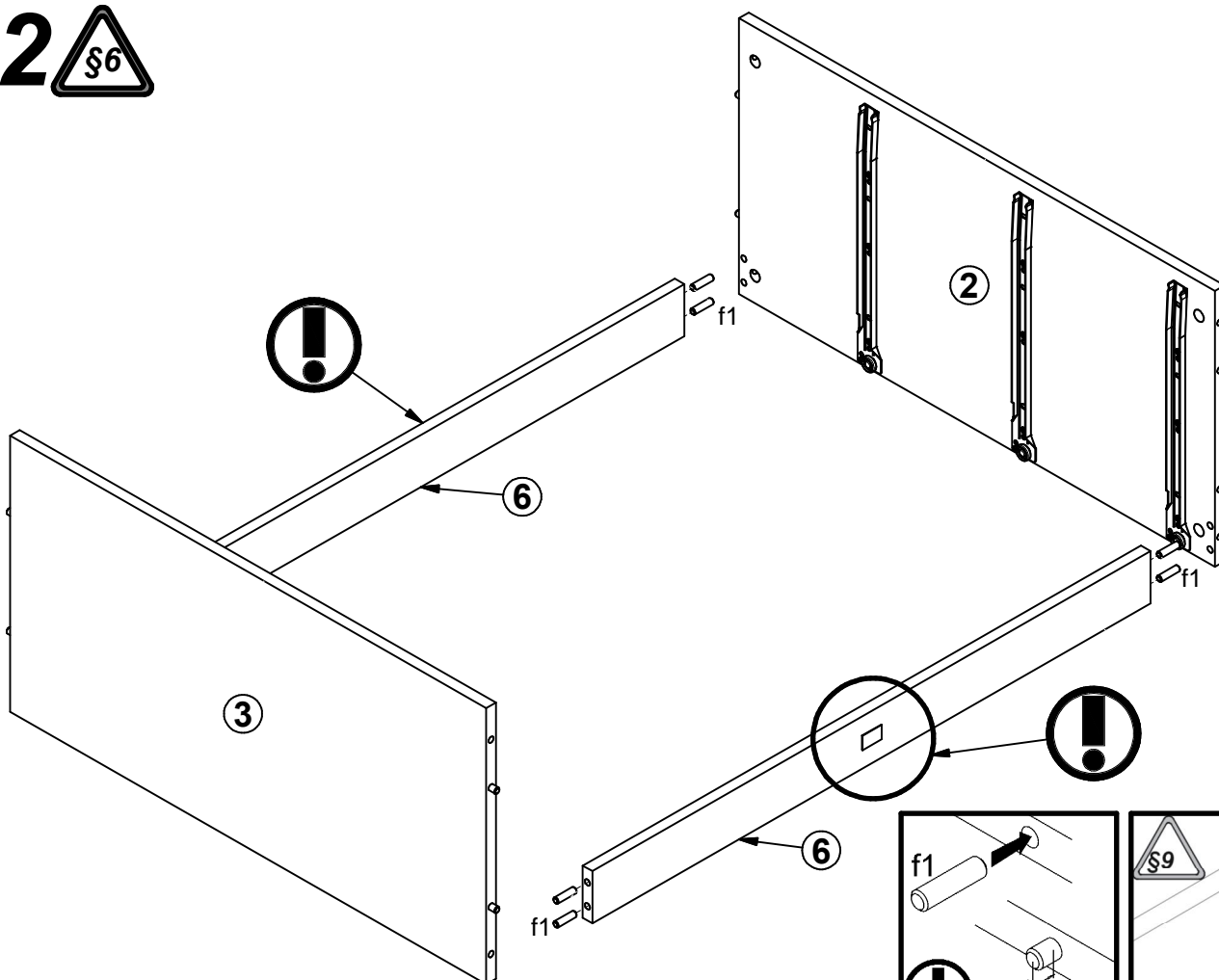


3x  c333	7x  φ7x50 mm e1	12x  φ5x9 mm e19	18x  φ6x13 mm e3	22x  φ8x30 mm f1	12x  φ6.5x40 mm f25	6x  M4x18 mm j59	4x  M6/φ8x14 mm k39\2	4x  M6/22mm k39\3
40x  l1	6x  φ3.5x16 mm p25	8x  φ1.5x12mm #16 r1	12x  φ1.2x10.5mm #12 r15	20x  r42	3x  333 mm t19	3x  350 mm w45\CL	3x  350 mm w45\CR	3x  350 mm w45\DL
3x  350 mm w45\DR	2x  ø16 s2	1x  z1	1x  n26\1	1x  φ3.5x16 mm p38				

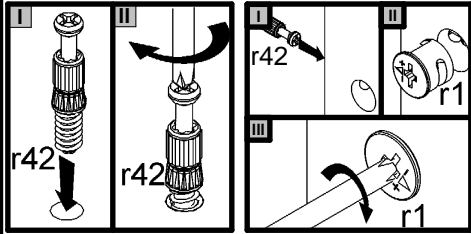
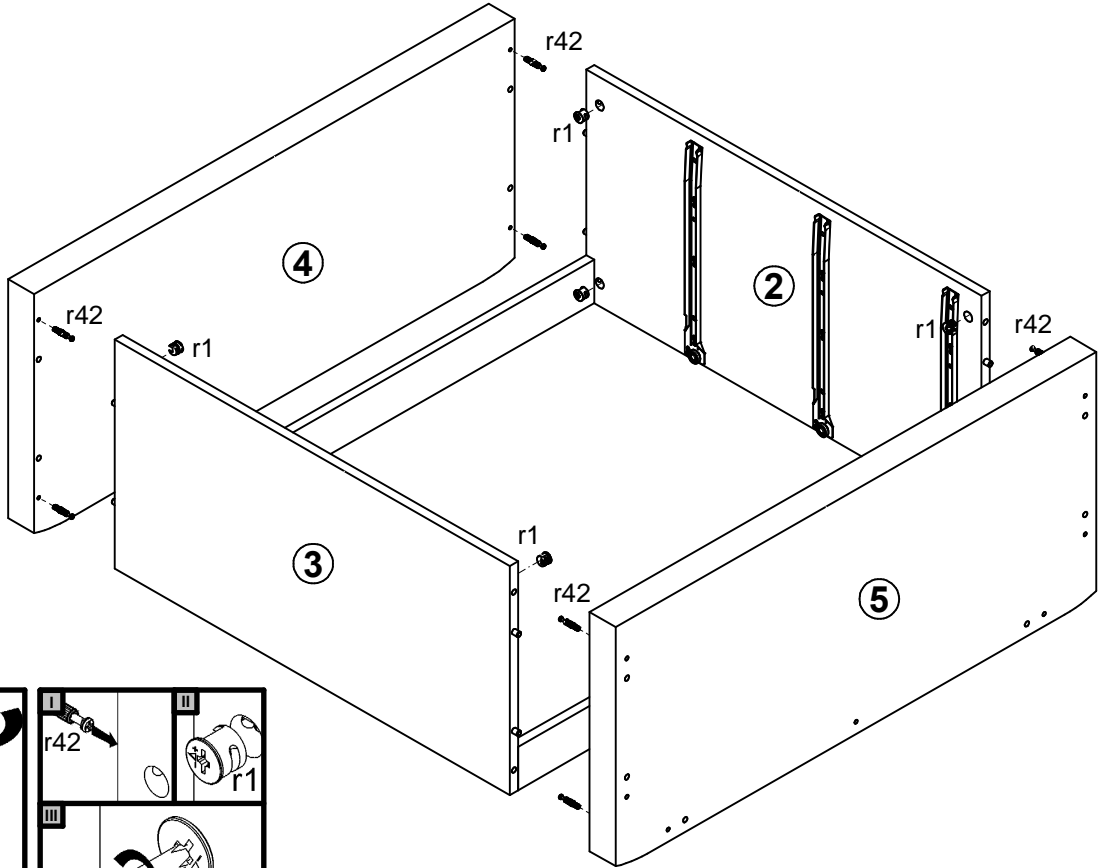
# 1



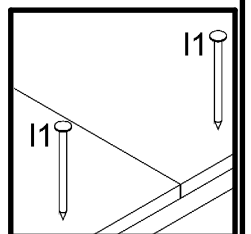
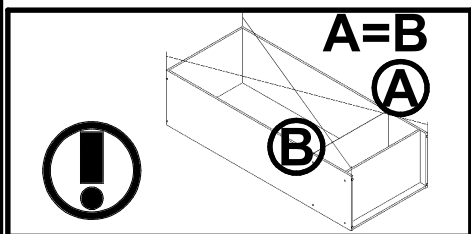
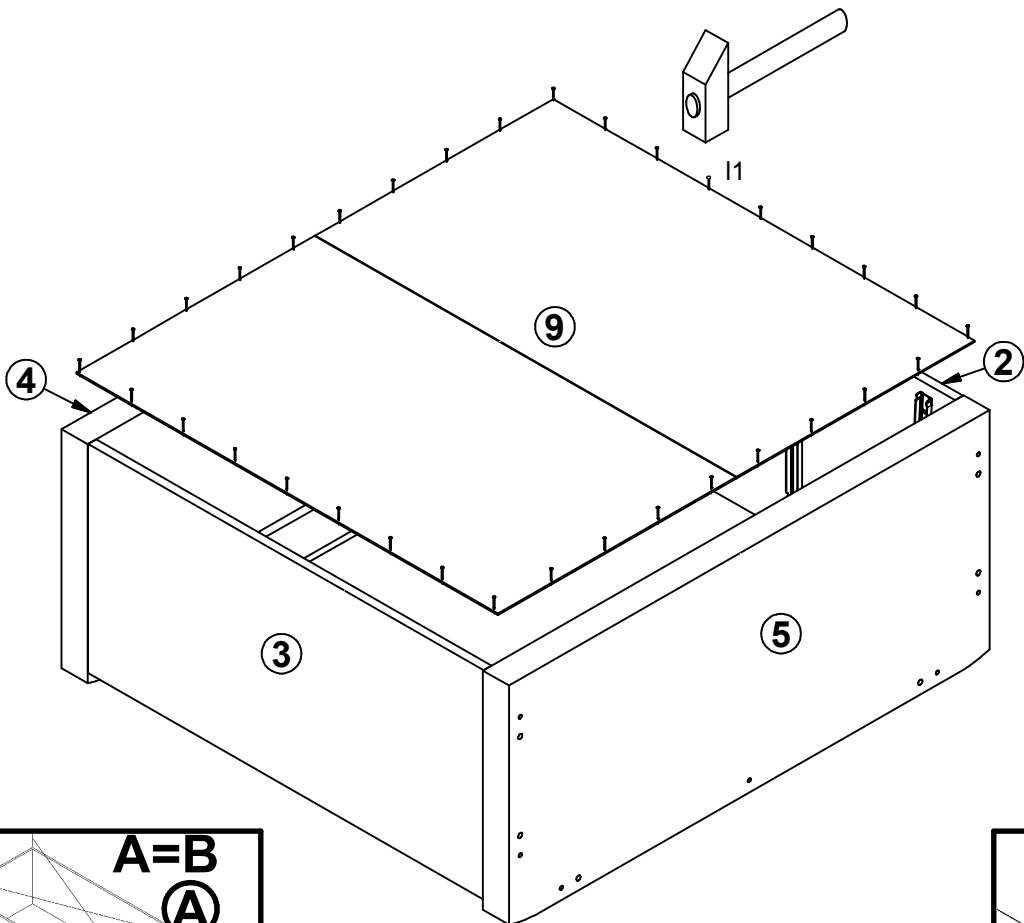
# 2



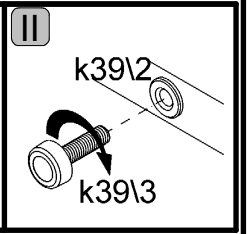
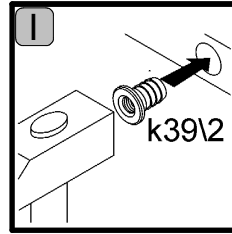
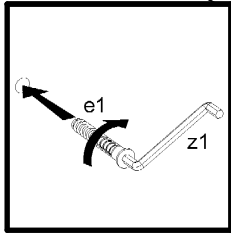
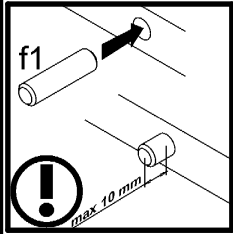
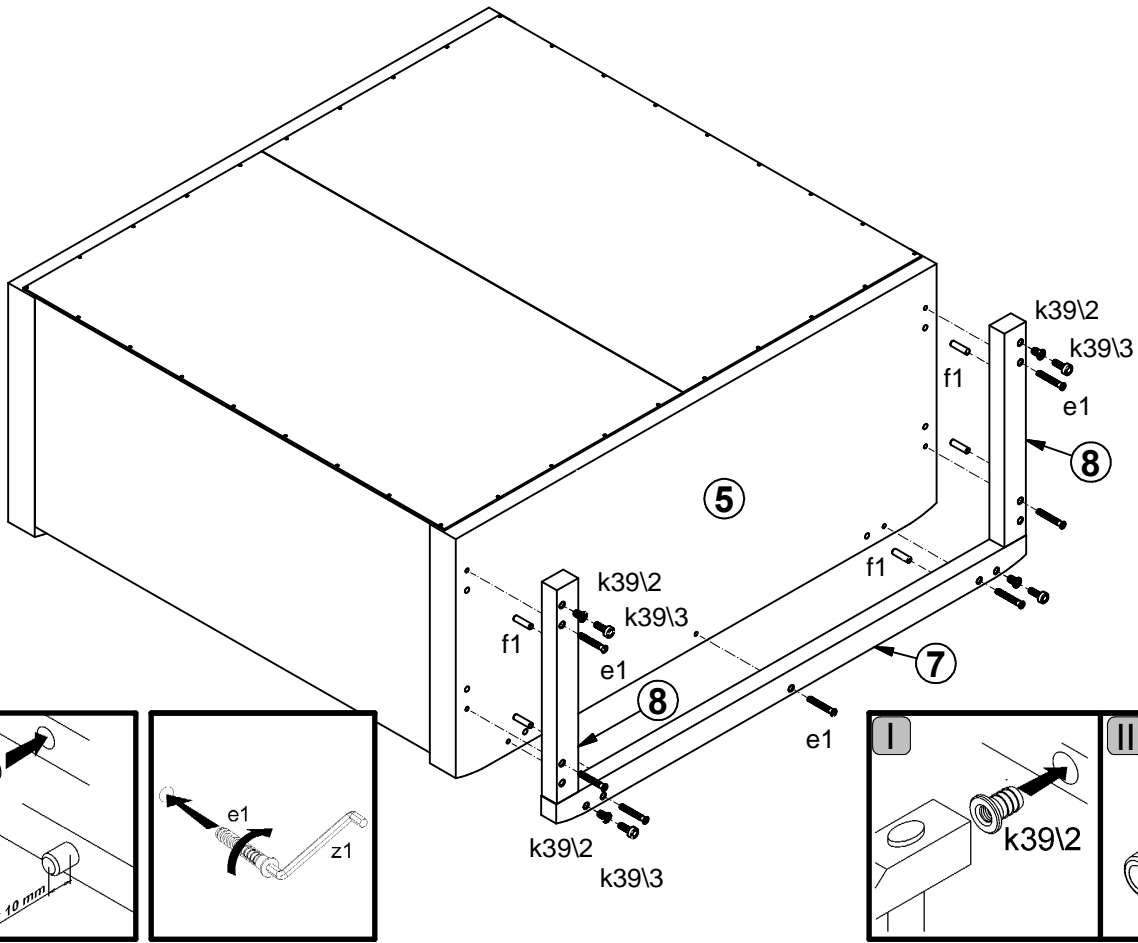
# 3



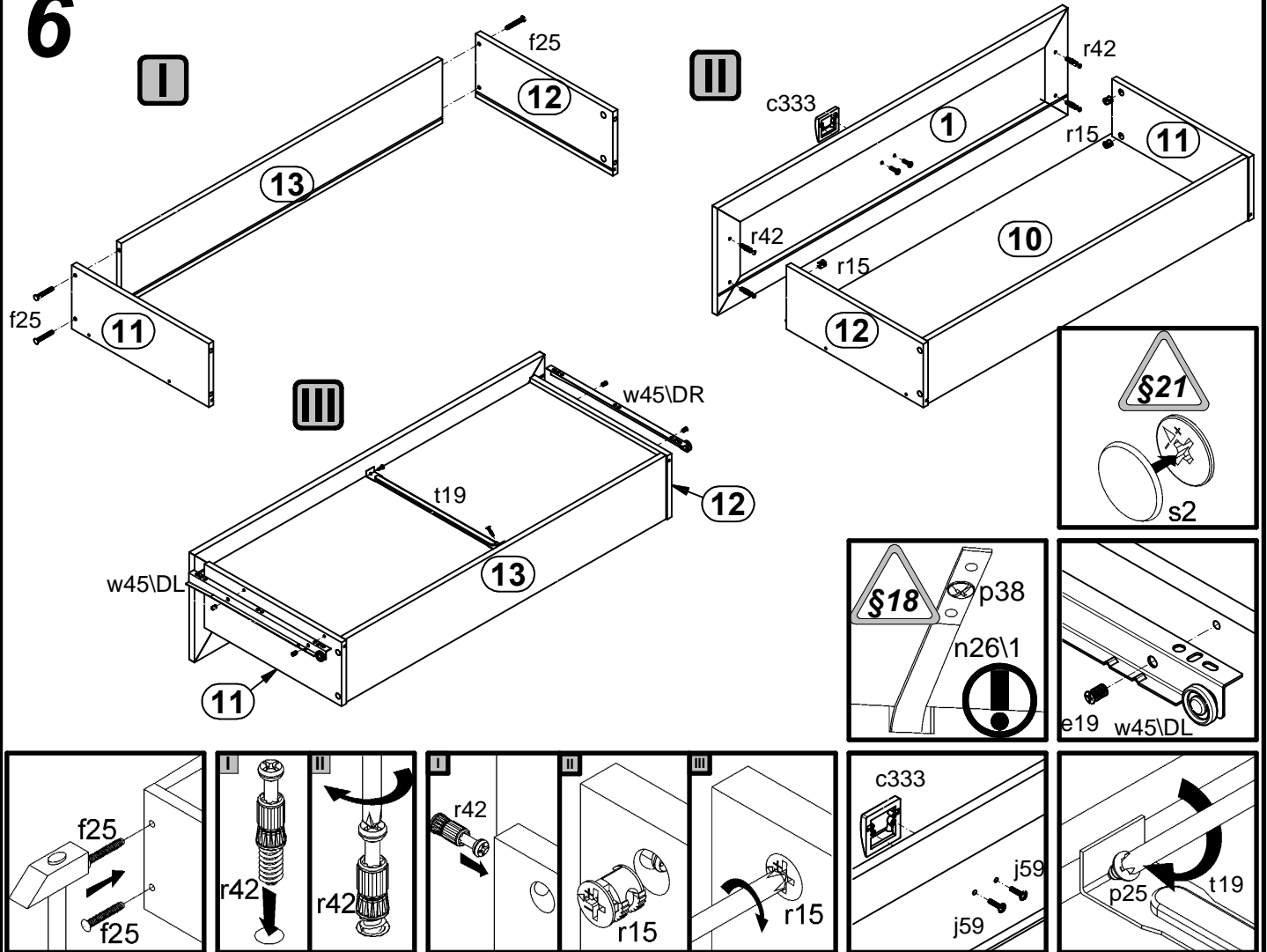
# 4



# 5



# 6



I

II

III

