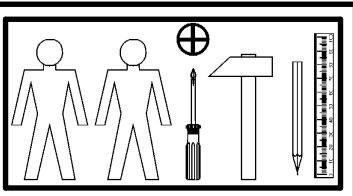
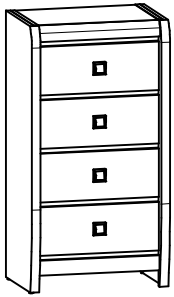
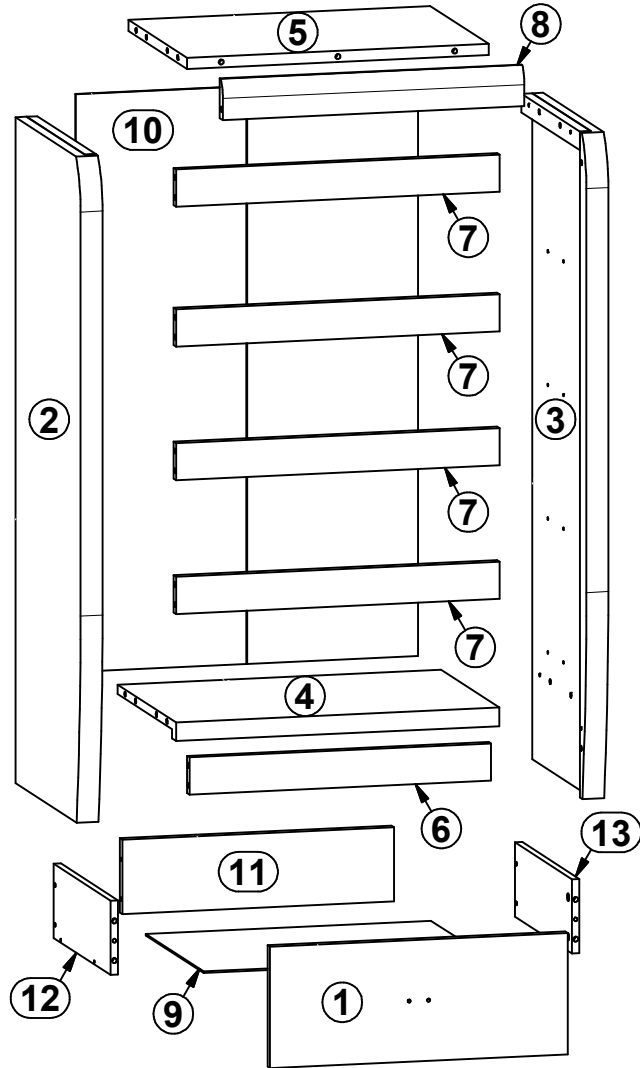


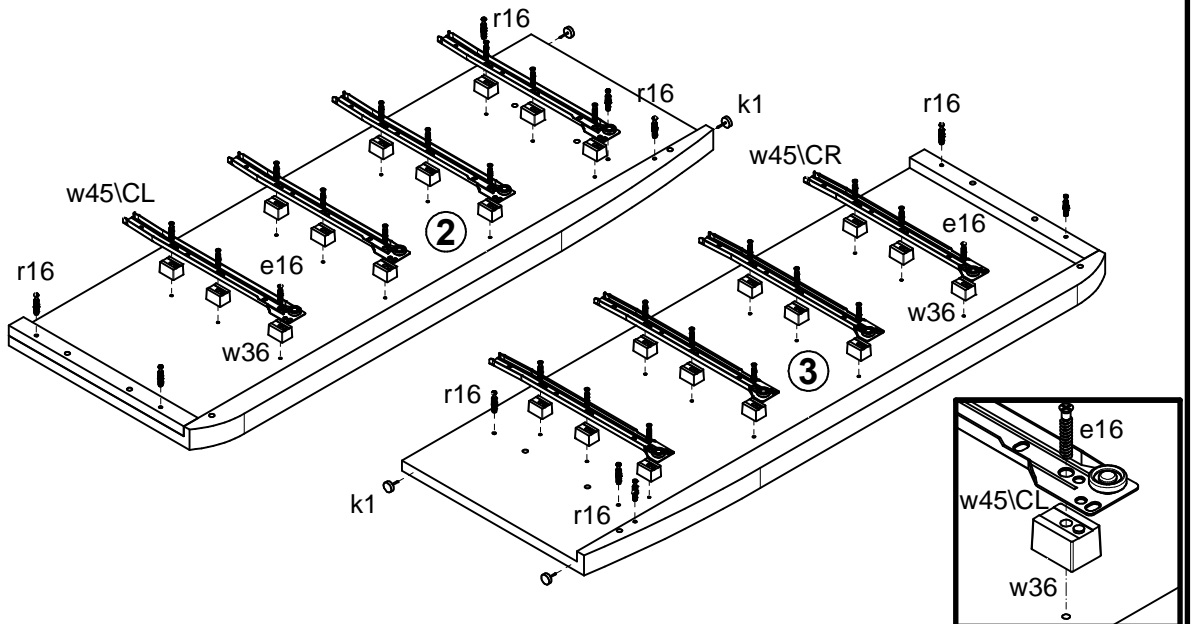
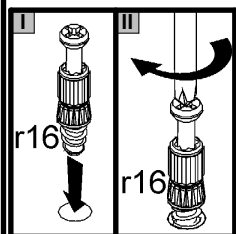
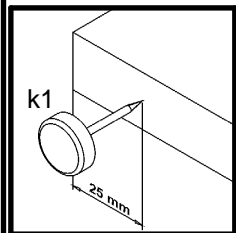
# LOREN

# S163-KOM4S

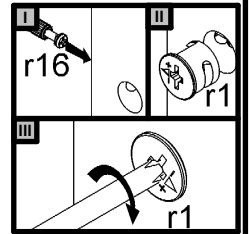
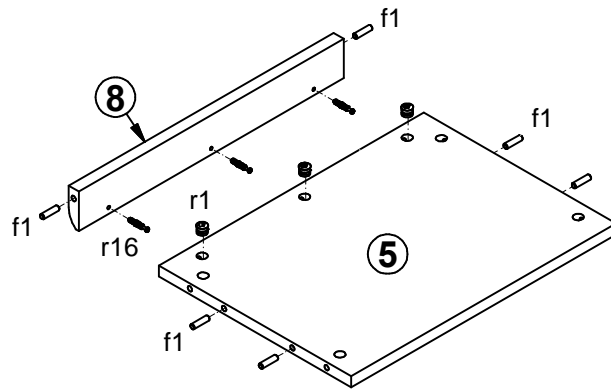
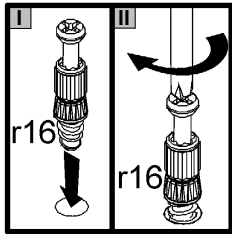
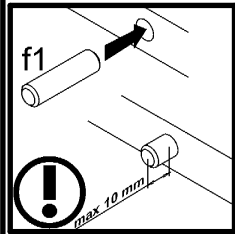
A	B	C	D	
1	S163-001	490	196	2/2
2	S163-117	1076	400	1/2
3	S163-118	1076	400	1/2
4	S163-302	532	359	1/2
5	S163-312	496	360	1/2
6	S163-401	496	60	1/2
7	S163-402	532	60	1/2
8	S163-508	496	64	1/2
9	S163-902	469	355	1/2
10	S163-913	933	563	1/2
12	ZS4-501	350	120	1/2
13	ZS4-502	350	120	1/2
11	ZS3-5514	447	120	1/2



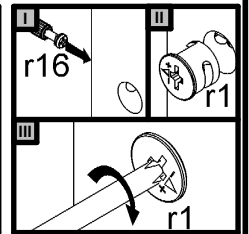
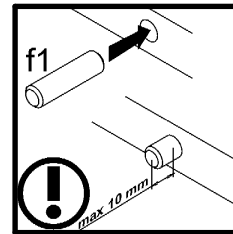
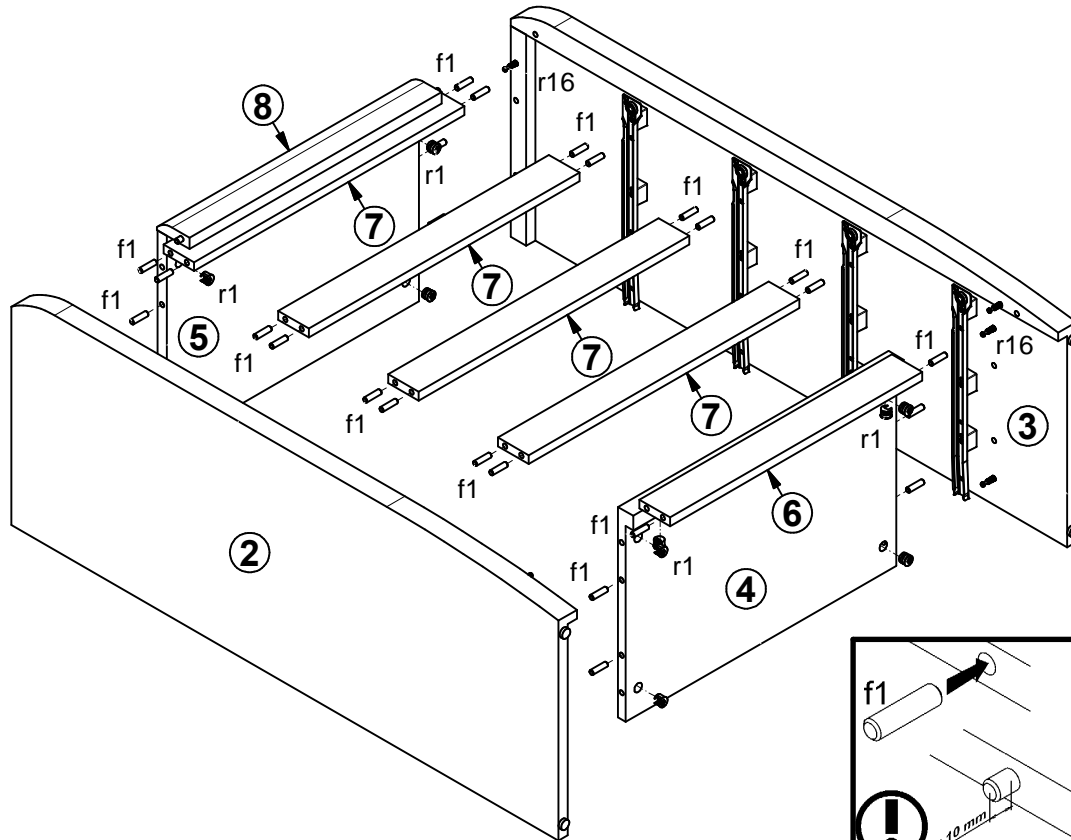
4x c333	24x e16 Ø6x30 mm	16x e19 Ø5x9 mm	28x f1 Ø8x30 mm	8x f9 Ø6x30 mm	16x f25 Ø6,5x40 mm	8x j1 M4x20 mm	4x k1	30x l1
16x p38 Ø3,5x16 mm	13x r1 Ø15x12 mm #16	16x r15 Ø12x10,5 mm #12	29x r16	24x w36 H=18 mm	4x w45\CL 350 mm	4x w45\CR 350 mm	4x w45\DL 350 mm	4x w45\DR 350 mm
1x n26\l1	1x p38 Ø3,5x16 mm							



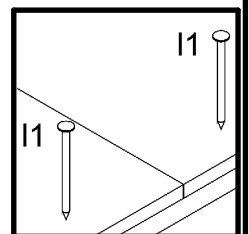
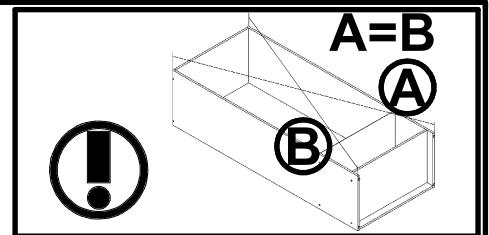
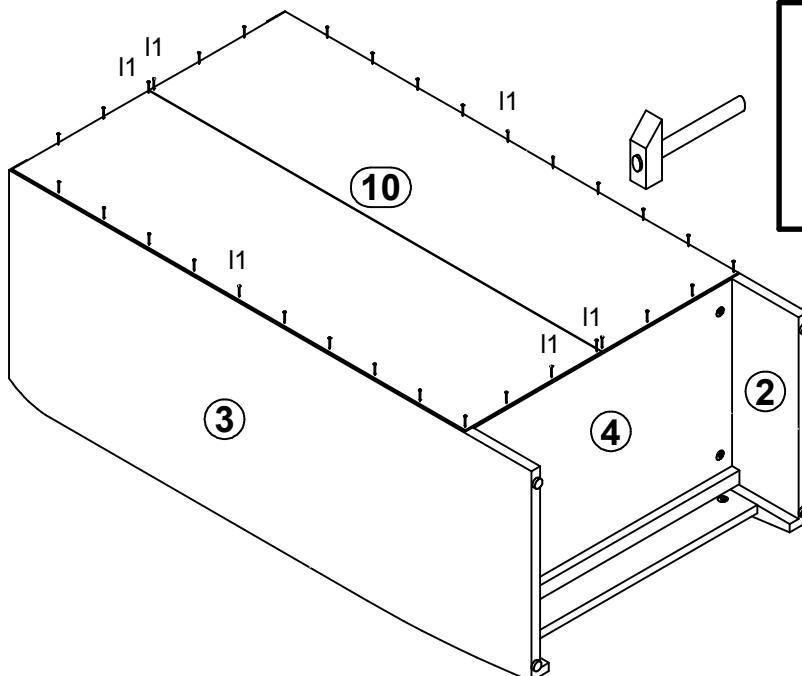
# 2



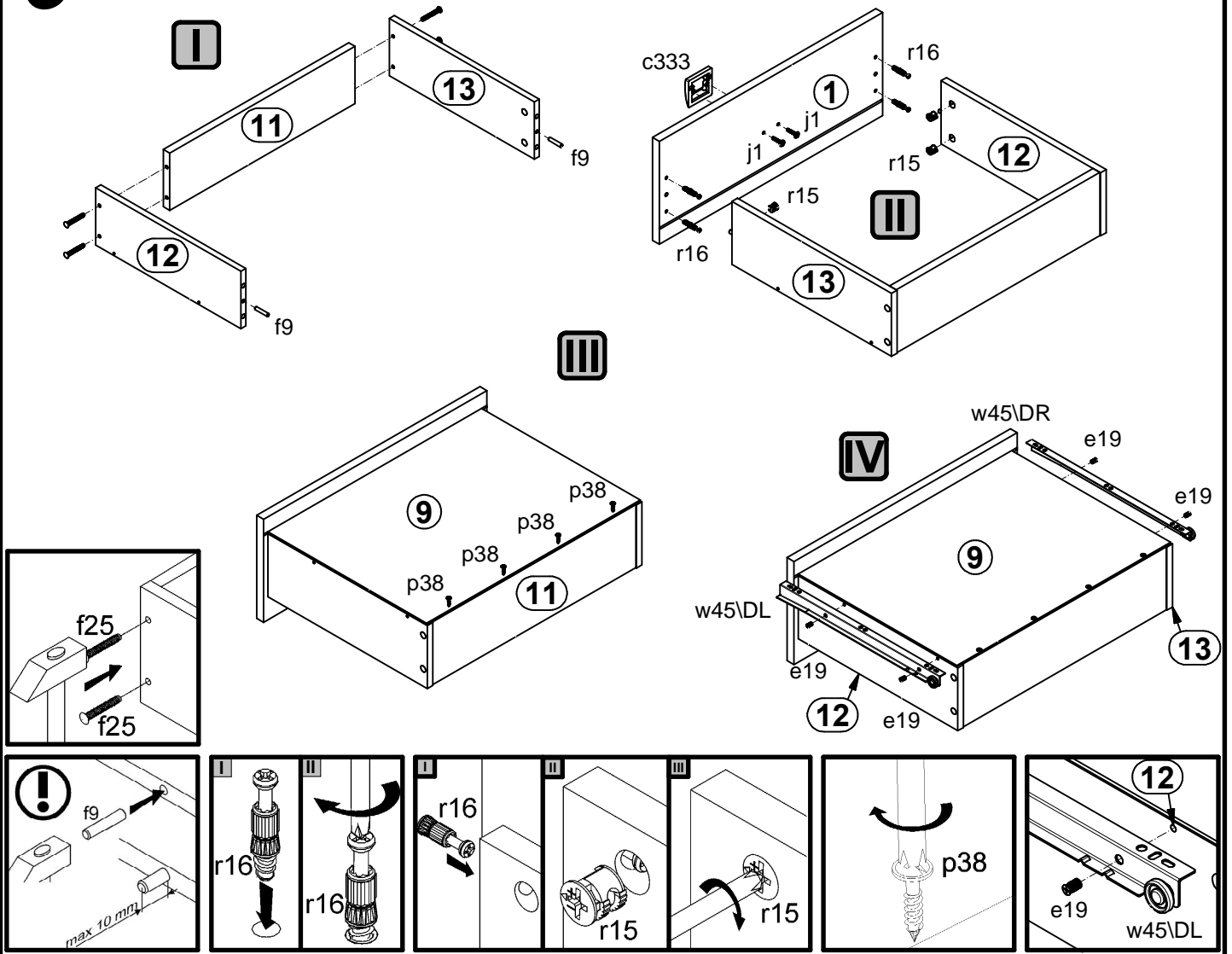
# 3



# 4



# 5



# 6

