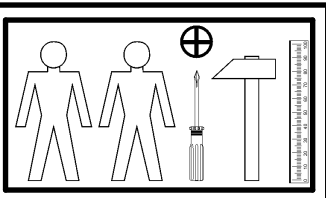
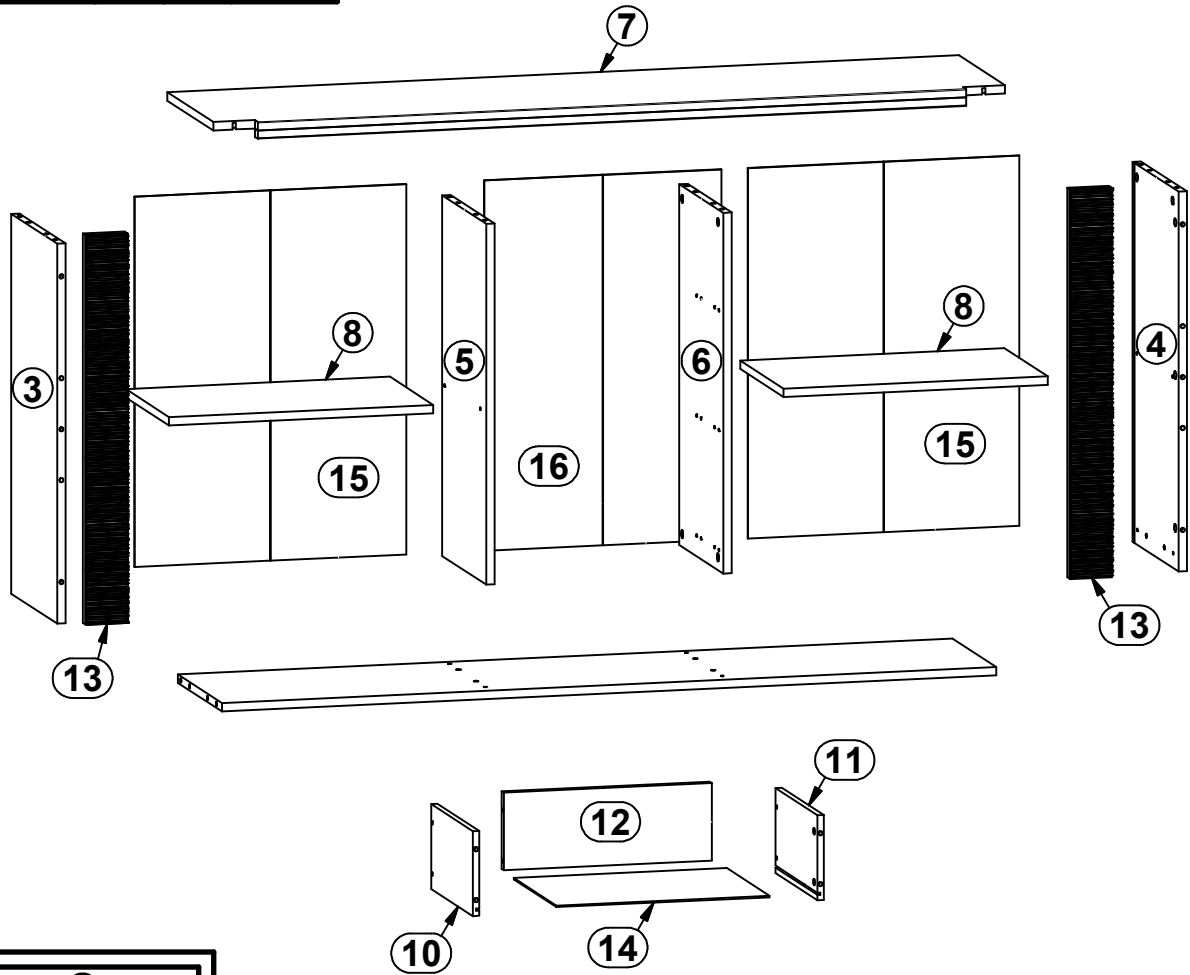
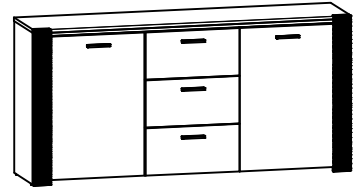


RAFLO

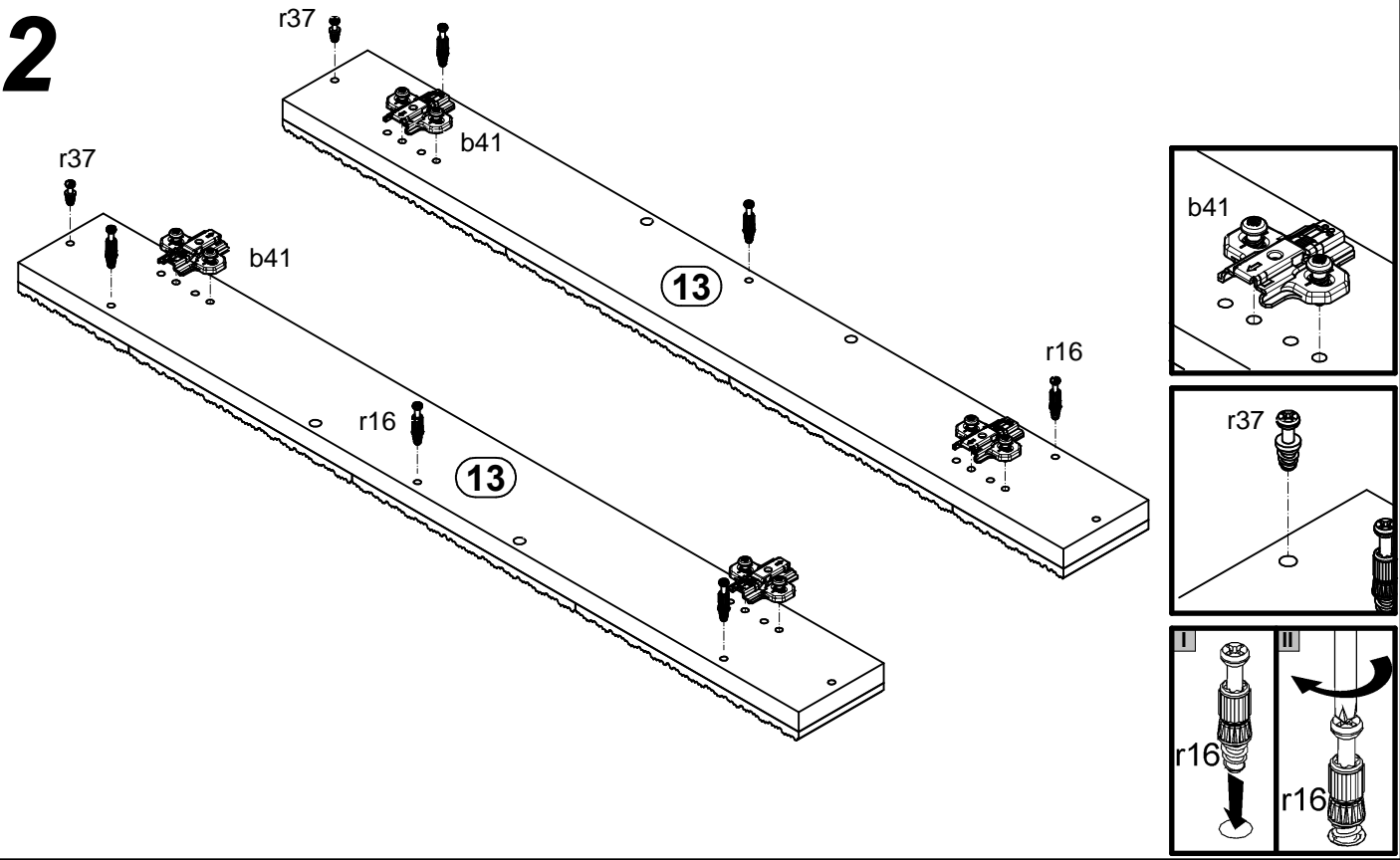
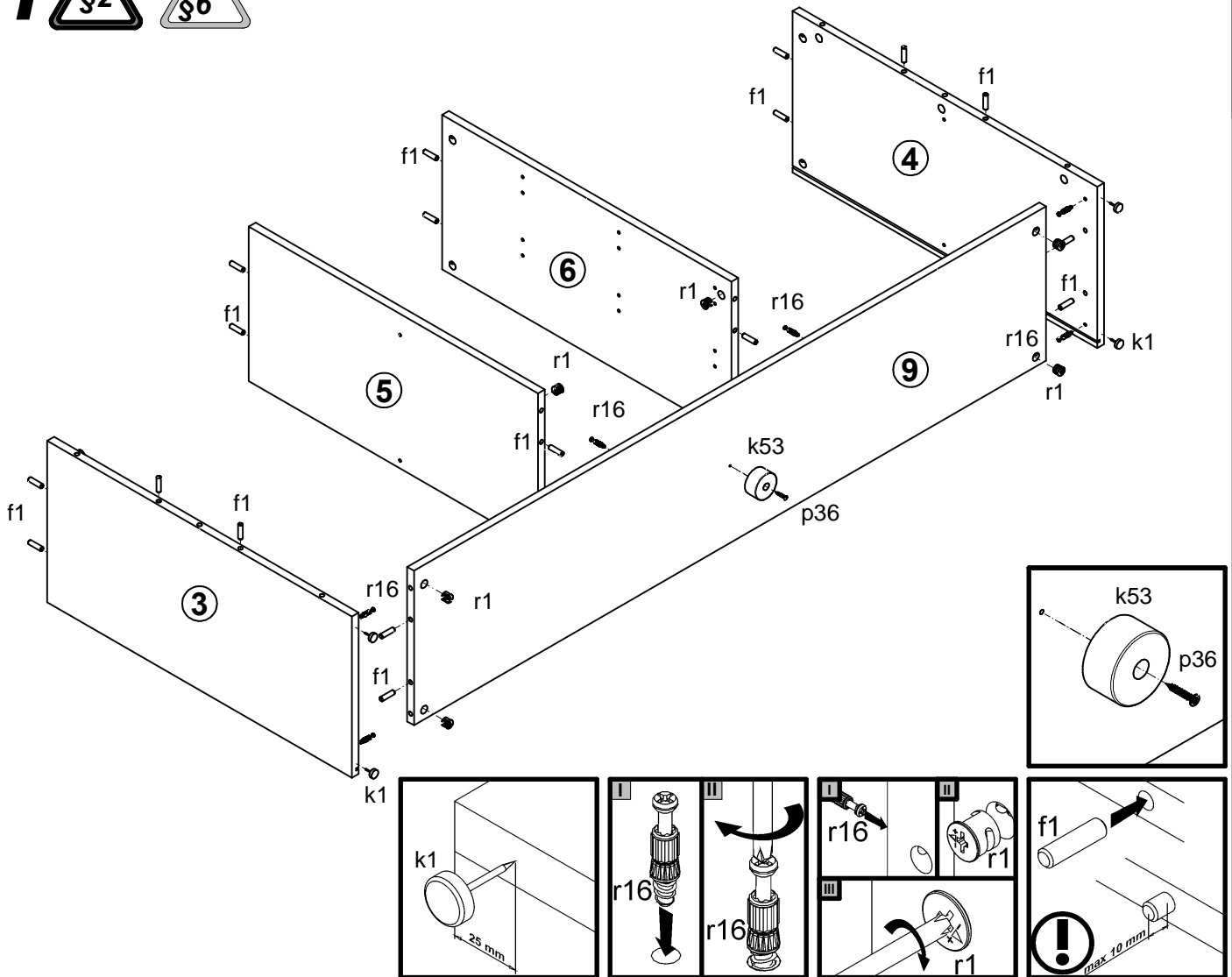
S126-KOM2D3S/7/15

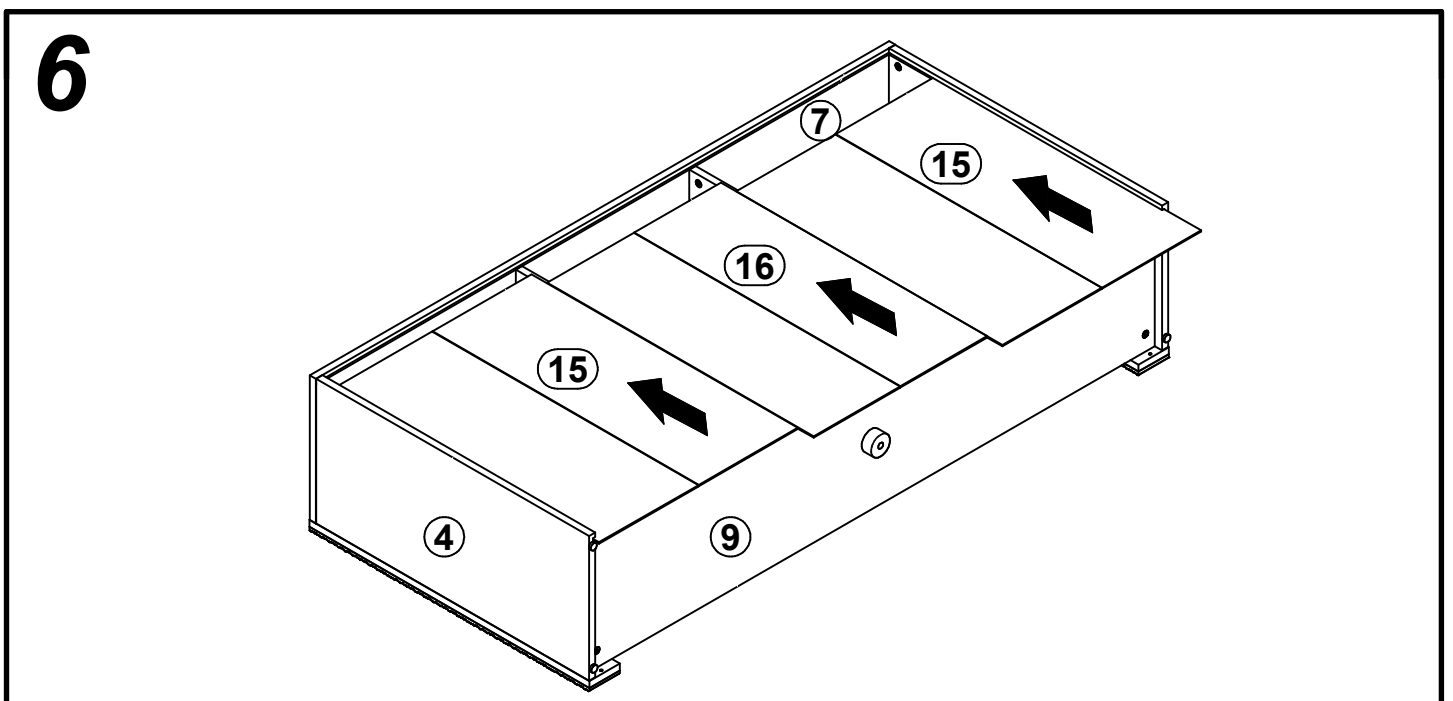
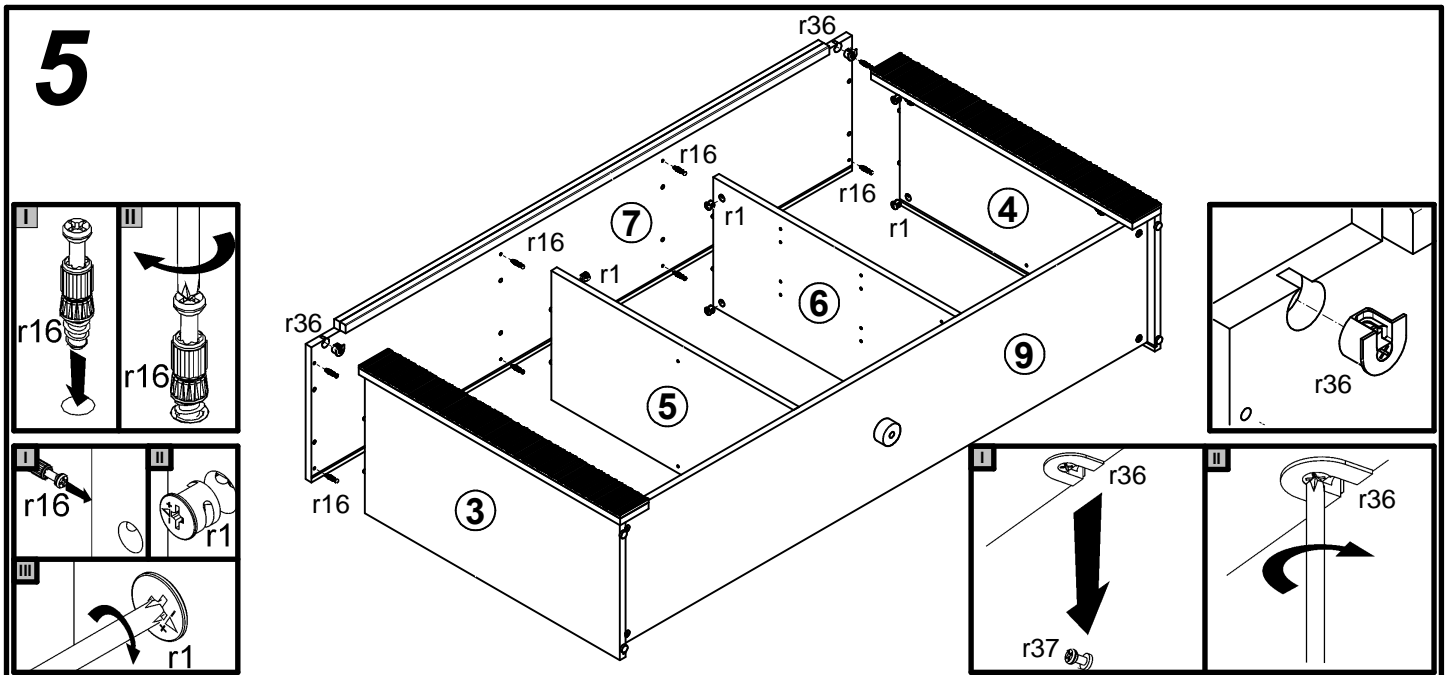
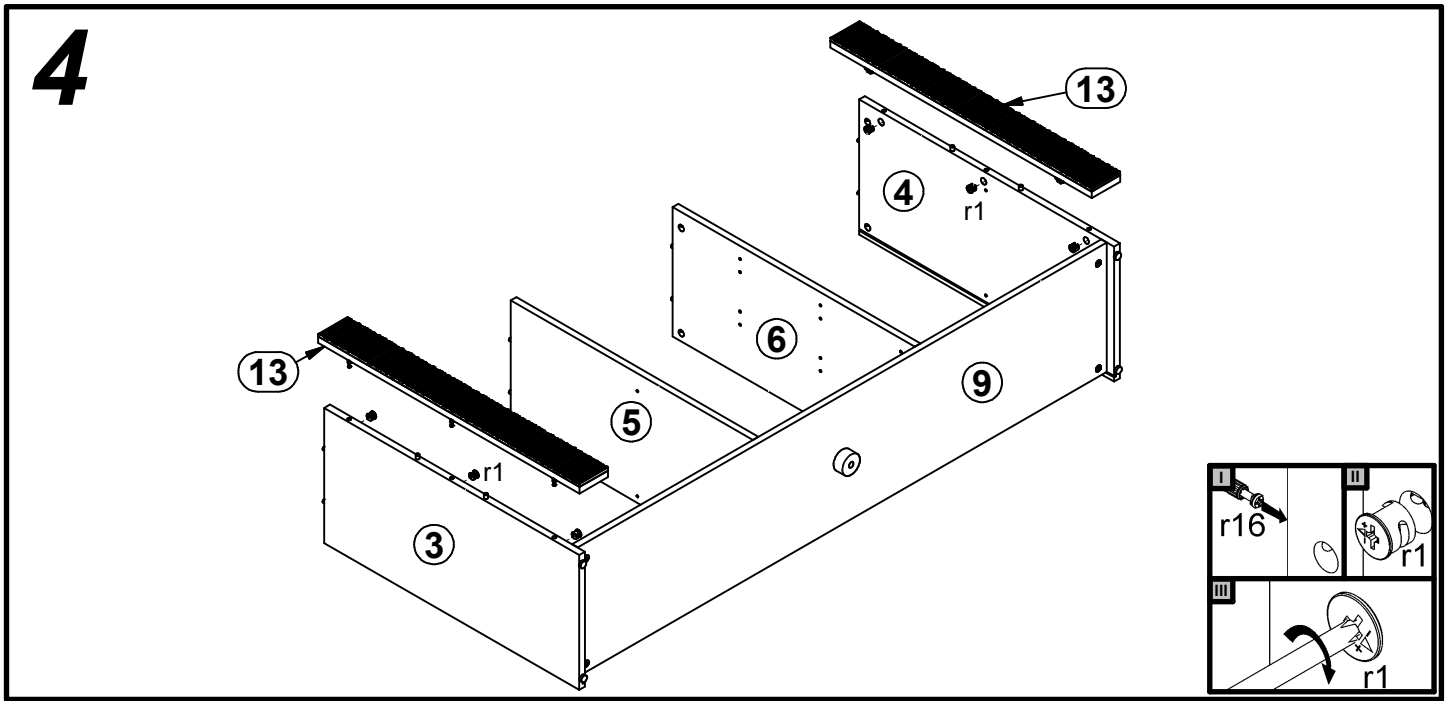
A	B	C	D
3	S126-111	716	329
4	S126-112	716	329
5	S126-113	680	315
6	S126-114	680	315
7	S126-204	1519	351
8	S126-304	507	310
9	S126-307	1486	315
10	S126-501	300	160
11	S126-502	300	160
12	S126-504	399	146
13	S126-572	734	80
14	S126-901	409	306
15	S126-9904	698	521
16	S126-9911	698	455



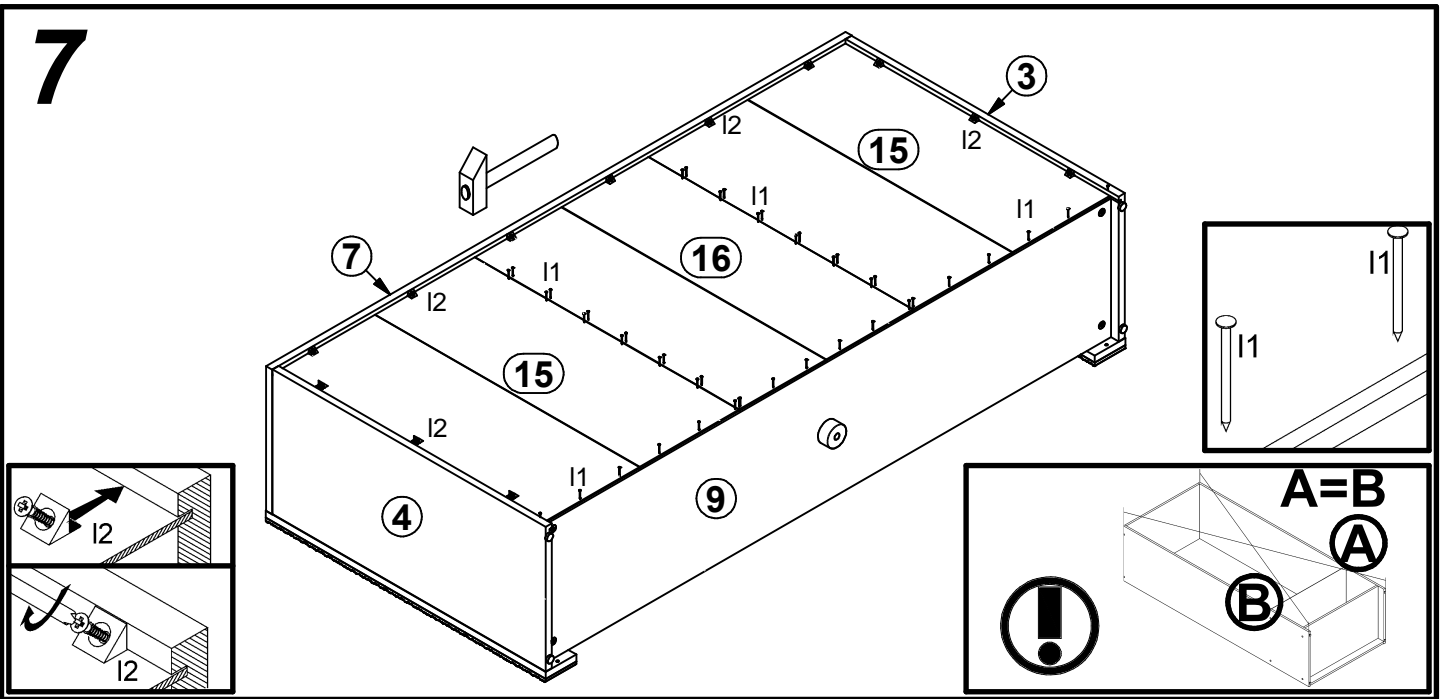
8x φ5x17 mm d1	24x φ6x13 mm e3	20x φ8x30 mm f1	12x φ6.5x40 mm f25	4x k1	1x k53	45x l1	1x φ4x25 mm p36	9x φ3.5x16 mm p38
22x φ1.5x12mm #16 r1	12x φ12x10.5mm #12 r15	34x r16	2x φ20x12mm #16 r36	2x 6,7,8 r37	8x φ11x5 mm s43	3x 300 mm w79/L	3x 300 mm w79/P	12x l2
1x n26/l1	1x φ3.5x16 mm p38	8x ø16 s2						

1  

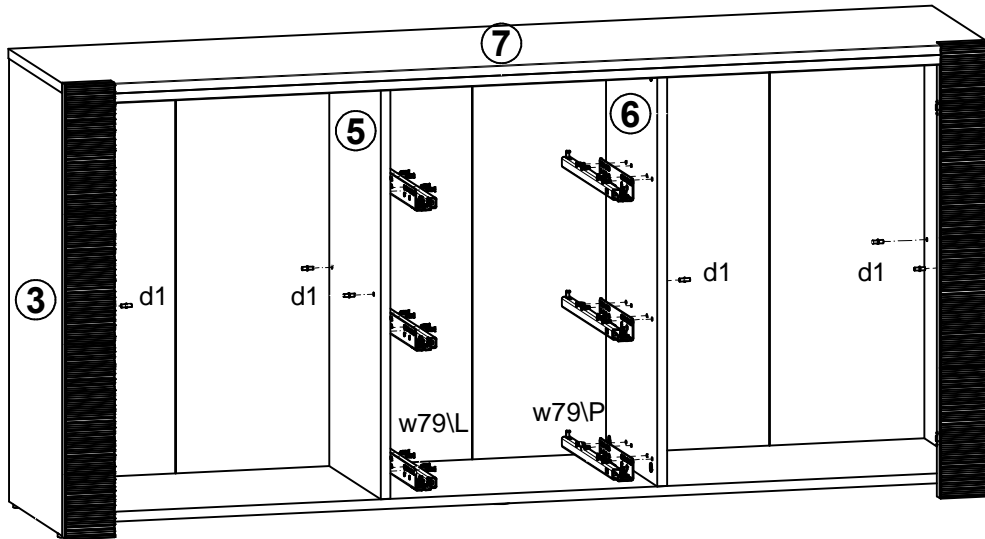




7



8



9

