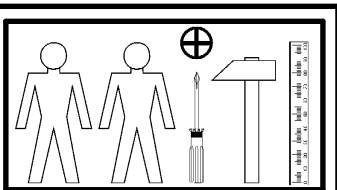
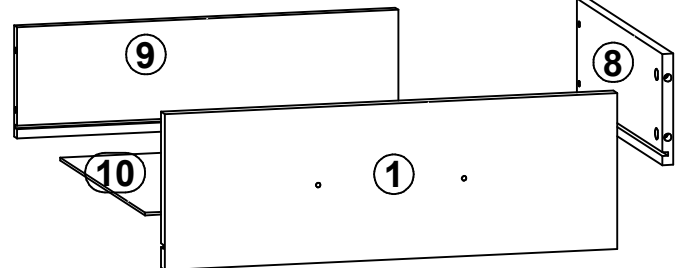
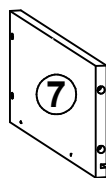
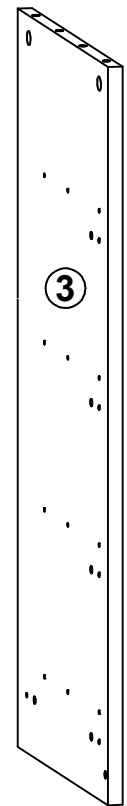
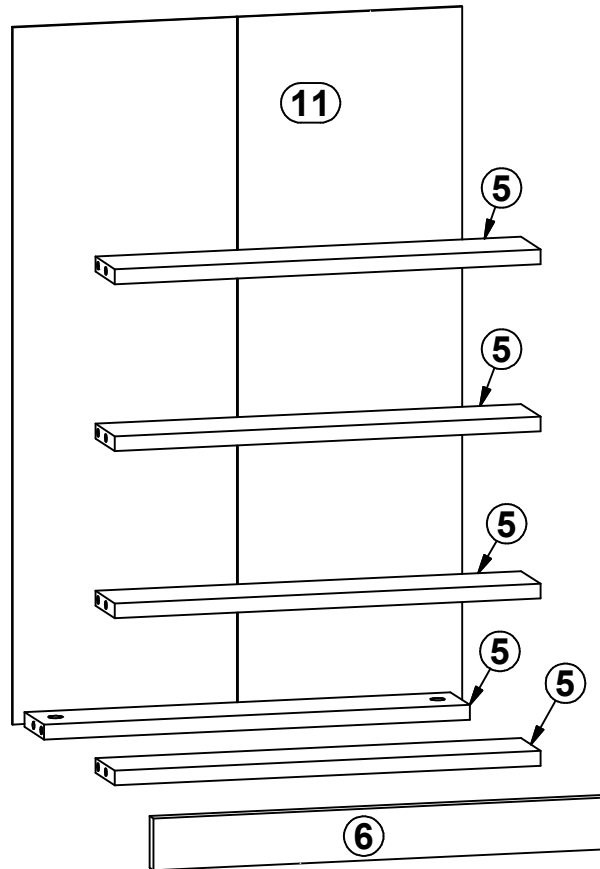
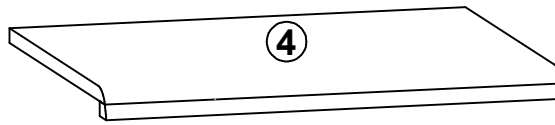
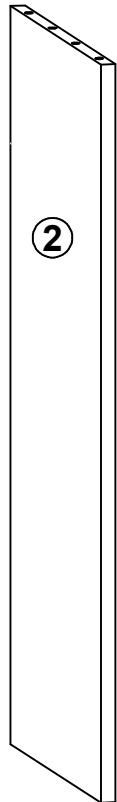
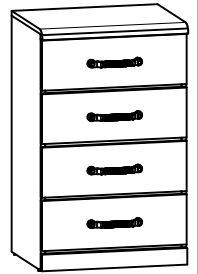
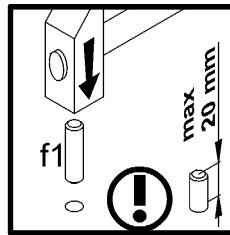
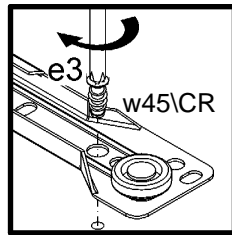
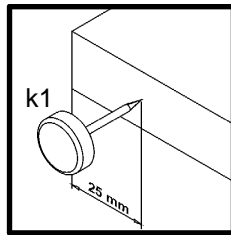
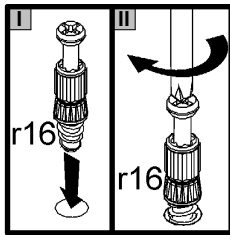
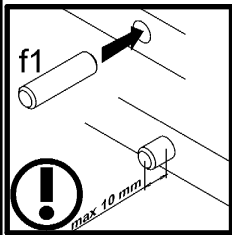
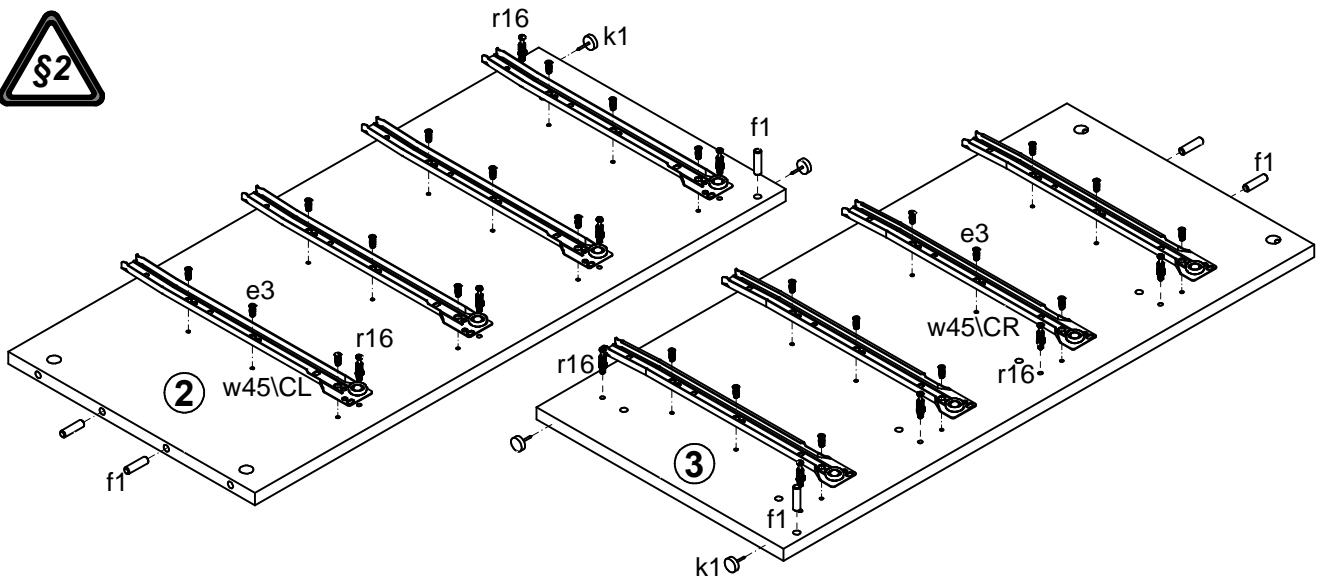


A	B	C	D	
1	S52-011	496	168	2/2
2	S52-116	795	370	1/2
3	S52-117	795	370	1/2
4	S52-206	500	395	1/2
5	S52-408	467	80	1/2
6	S52-409	498	56	1/2
7	S52-503	350	120	1/2
8	S52-504	350	120	1/2
9	S52-508	418	120	1/2
10	S52-907	428	348	1/2
11	S52-9903	751	493	1/2

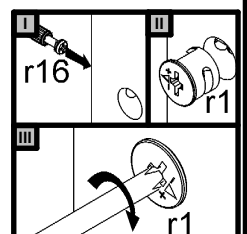
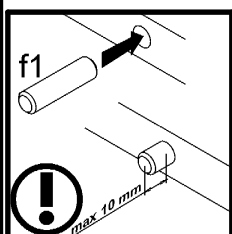
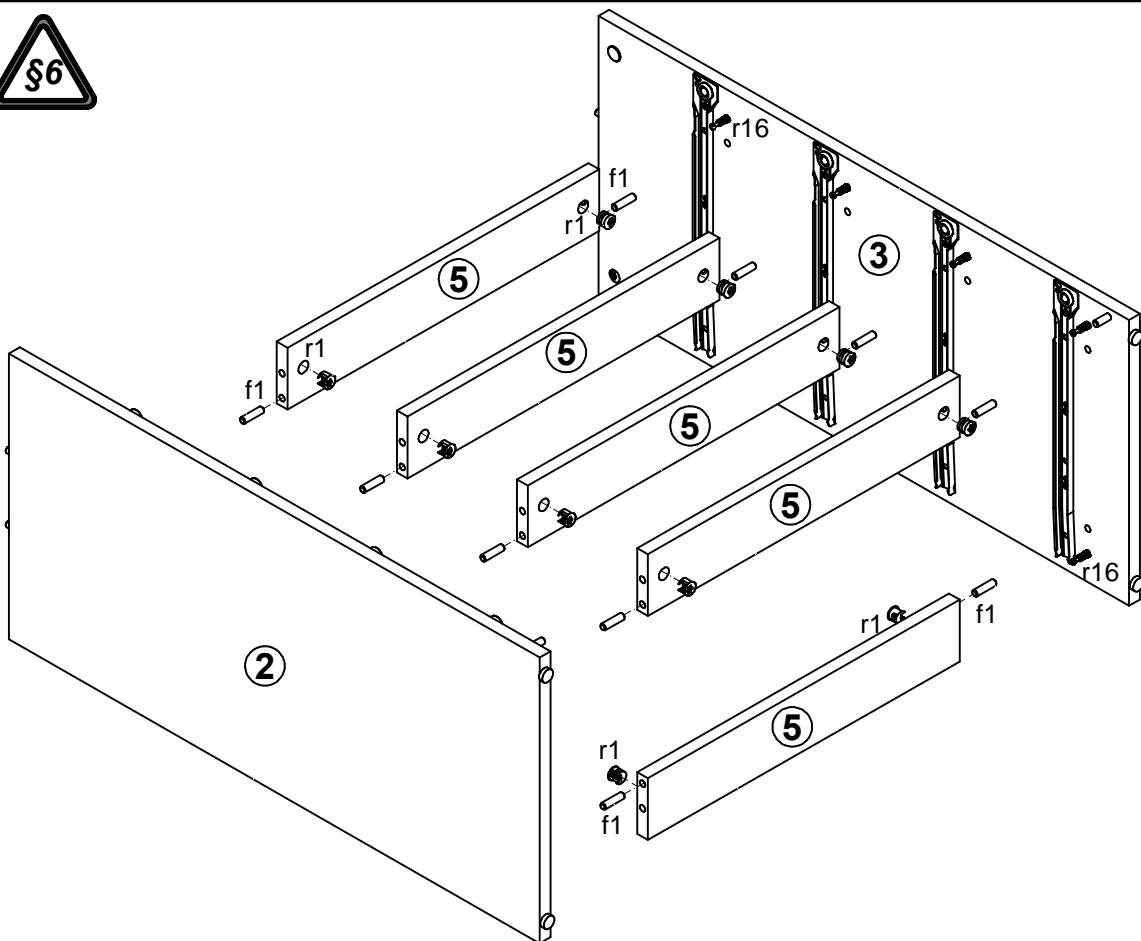


4x  160 mm <b>c128</b>	24x  φ6x13 mm <b>e3</b>	16x  φ8x30 mm <b>f1</b>	16x  φ6.5x40 mm <b>f25</b>	4x  <b>k1</b>	24x  <b>l1</b>	2x  <b>l37</b>	8x  φ4x30 mm <b>p9</b>	16x  φ3x12 mm <b>p54</b>
14x  φ15x12mm #16 <b>r1</b>	16x  φ12x10.5mm #12 <b>r15</b>	30x  <b>r16</b>	2x  ø16 <b>s2</b>	4x  350 mm <b>w45\CL</b>	4x  350 mm <b>w45\CR</b>	4x  350 mm <b>w45\DL</b>	4x  350 mm <b>w45\DR</b>	1x  <b>n26\1</b>
1x  φ3,5x16 mm <b>p38</b>								

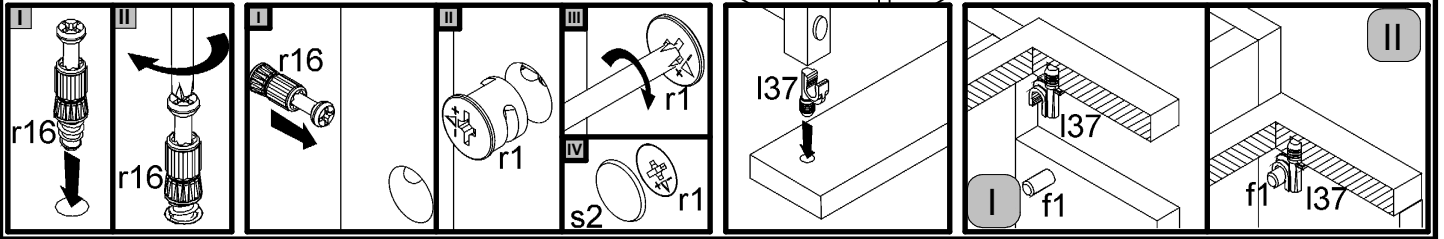
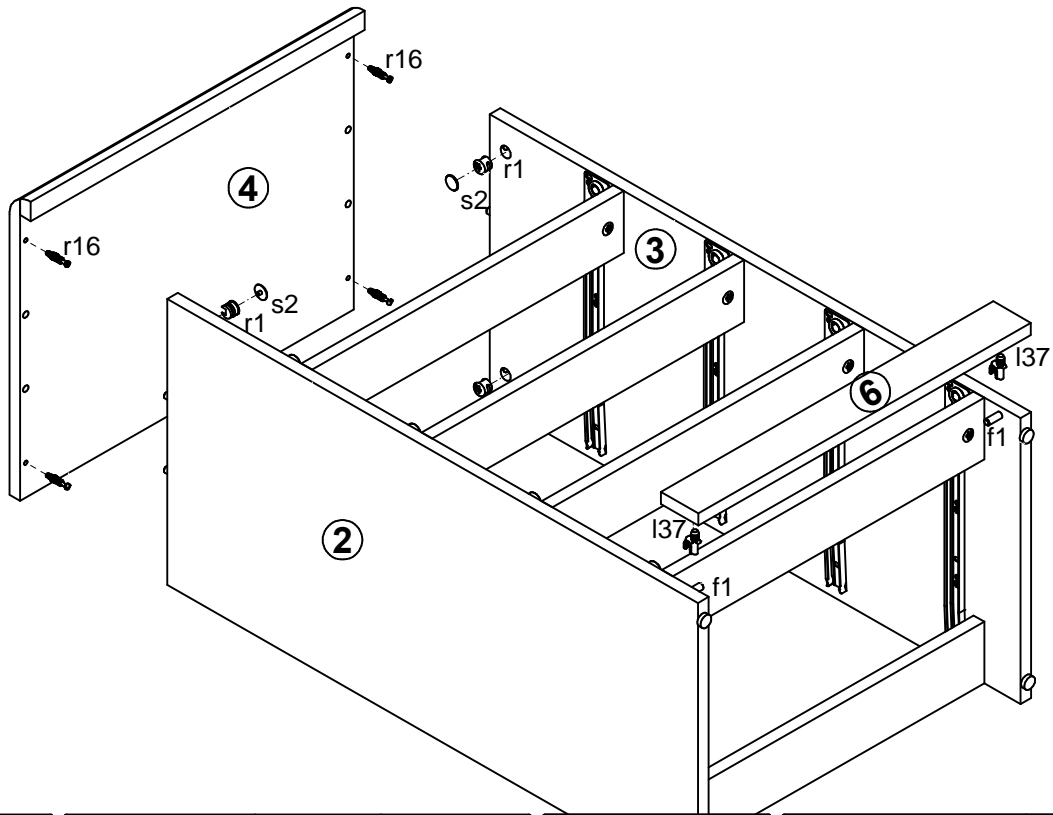
1 



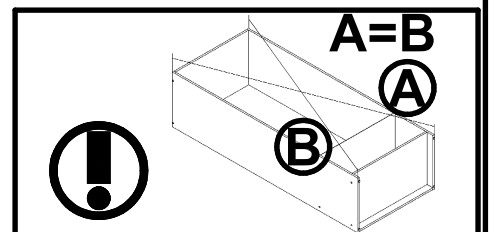
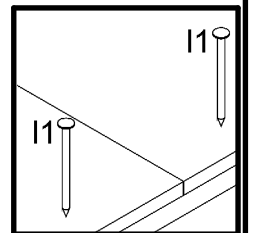
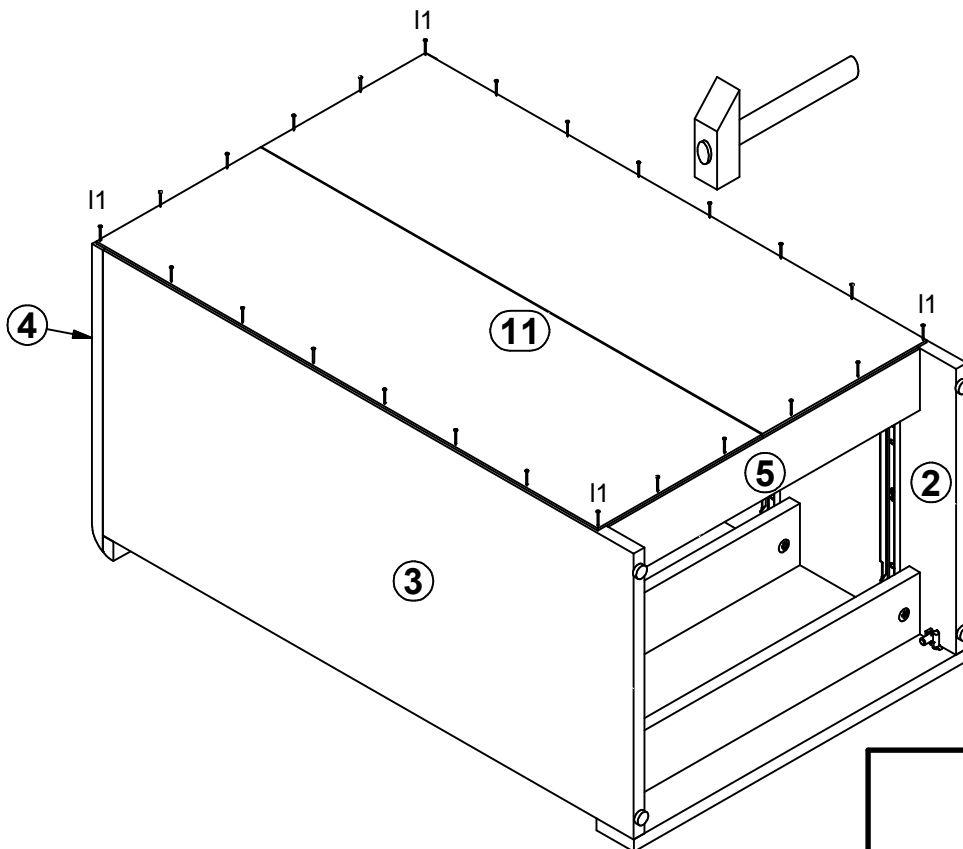
2 



# 3



# 4



# 5

