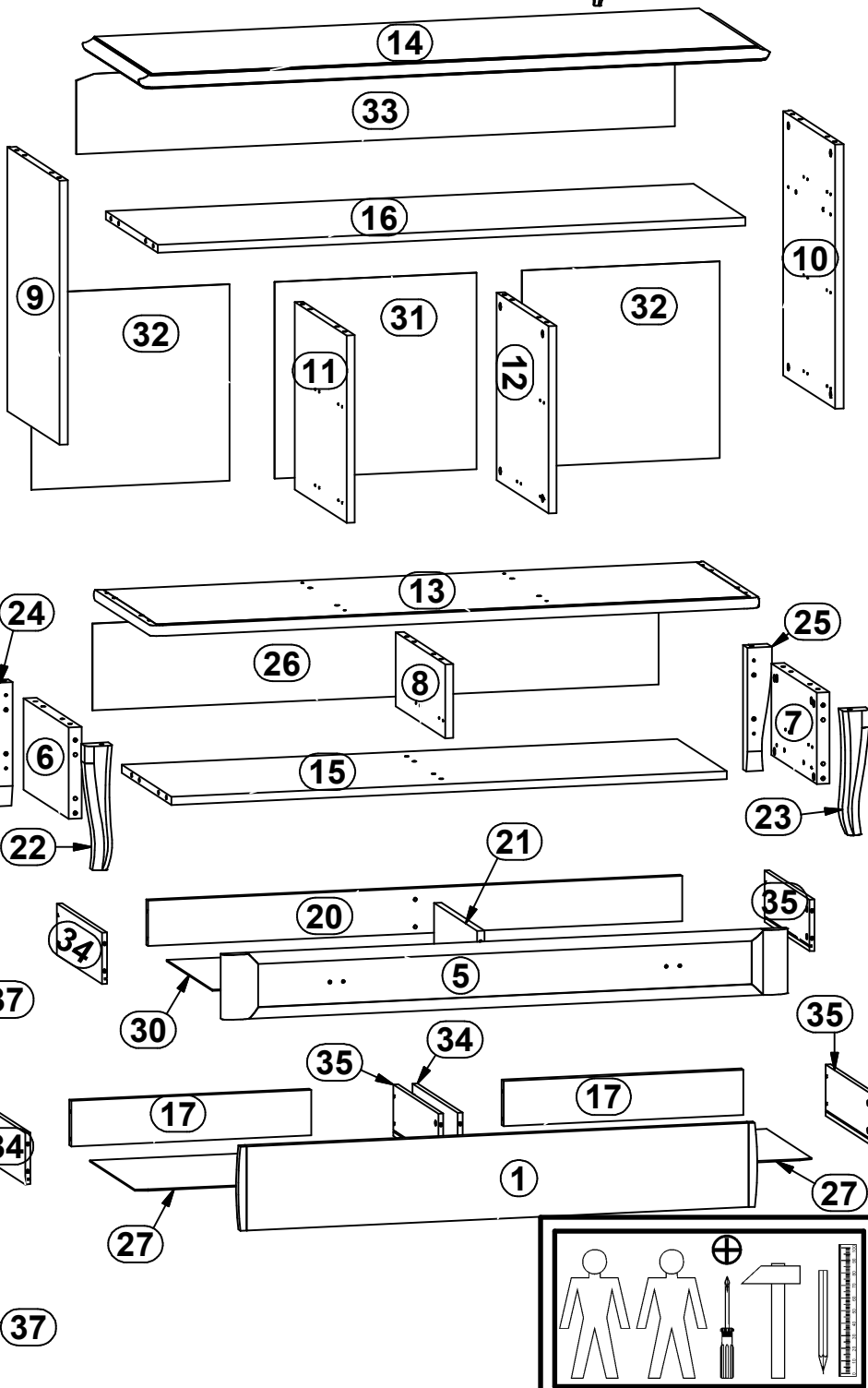
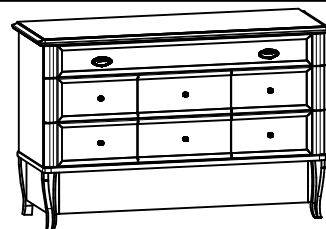
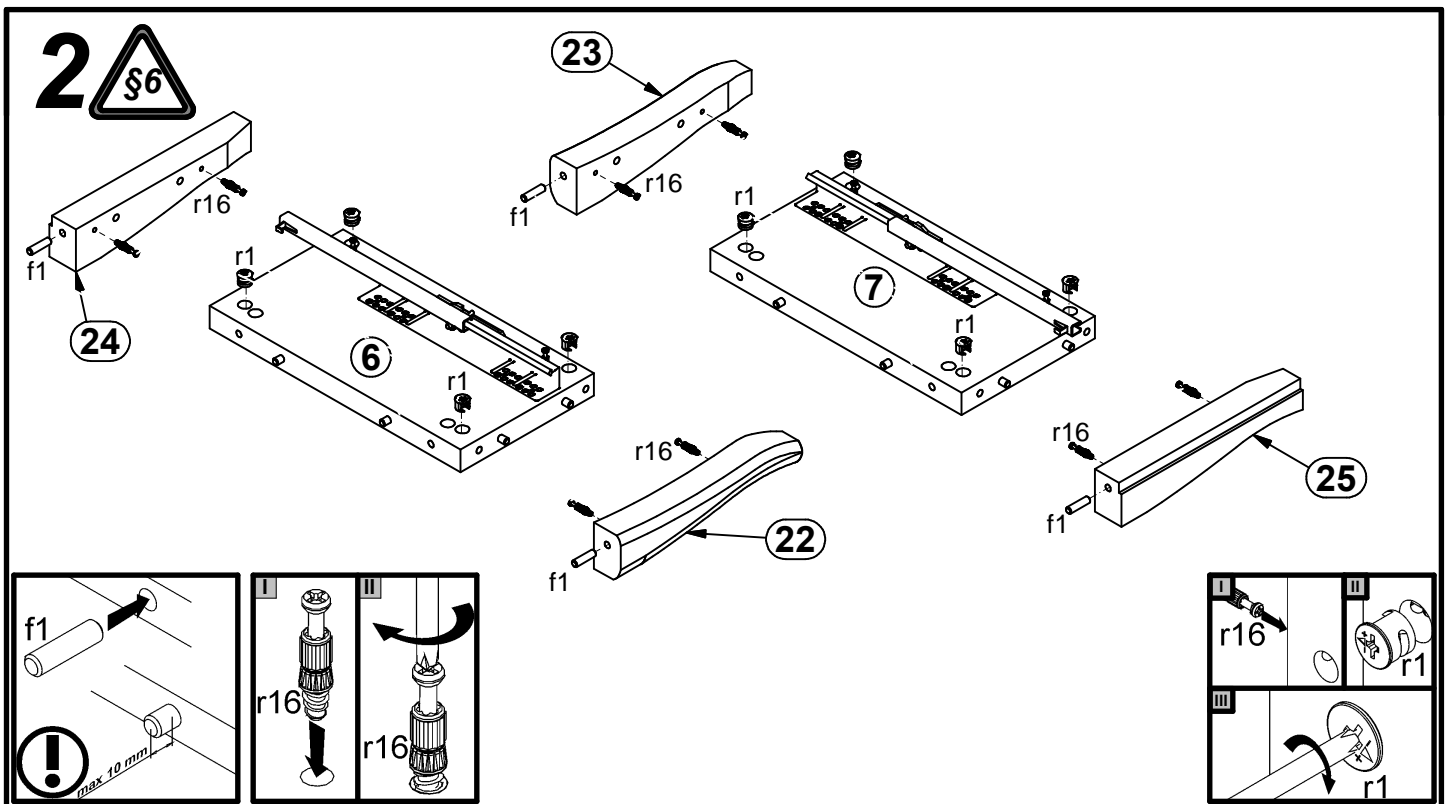
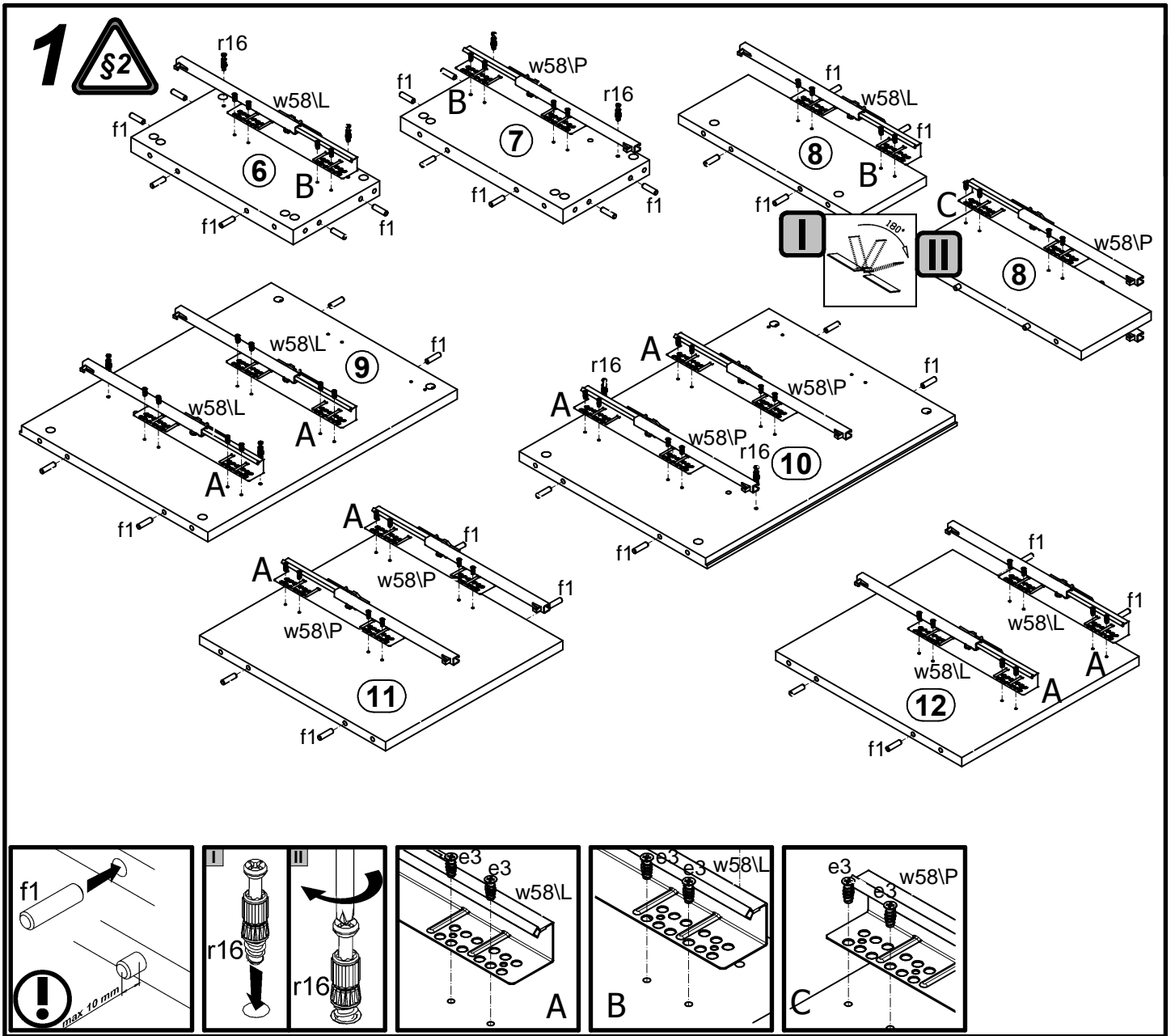


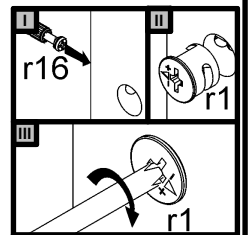
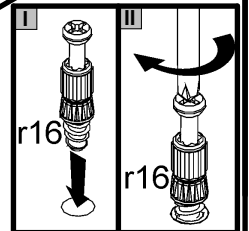
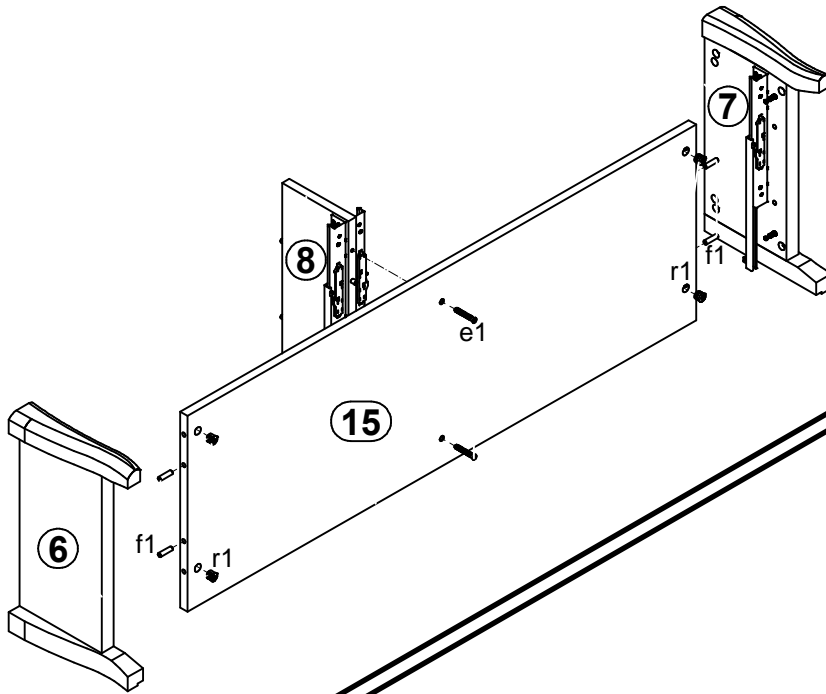
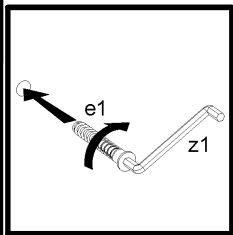
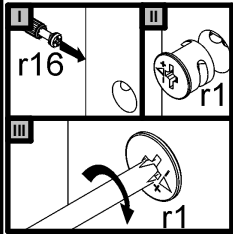
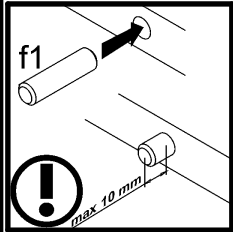
A	B	C	D	
1	S71-010	1234	196	7/7
2	S71-011	446	207	6/7
3	S71-012	446	207	6/7
4	S71-013	446	207	6/7
5	S71-014	1344	151	7/7
6	S71-101	200	376	1/7
7	S71-102	200	376	1/7
8	S71-106	162	412	1/7
9	S71-110	578	435	1/7
10	S71-111	578	435	1/7
11	S71-112	410	431	1/7
12	S71-113	410	431	1/7
13	S71-207	1362	468	3/7
14	S71-208	1402	507	3/7
15	S71-306	1238	412	2/7
16	S71-307	1310	431	2/7
17	S71-508	570	106	2/7
18	S71-509	392	126	2/7
19	S71-510	381	126	2/7
20	S71-511	1270	106	2/7
21	S71-518	382	106	2/7
22	S71-571	272	60	4/7
23	S71-572	272	60	4/7
24	S71-573	272	55	4/7
25	S71-574	272	55	4/7
26	S71-915	190	1262	2/7
27	S71-916	581	406	1/7
28	S71-917	403	406	1/7
29	S71-918	392	406	1/7
30	S71-919	1281	406	2/7
31	S71-920	430	450	1/7
32	S71-921	430	441	1/7
33	S71-922	174	1334	2/7
34	ZS1-3501	400	120	2/7
35	ZS1-3502	400	120	2/7
36	ZS1-3503	400	140	2/7
37	ZS1-3504	400	140	2/7



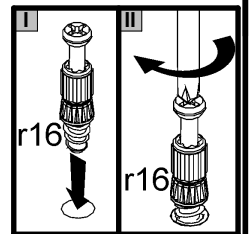
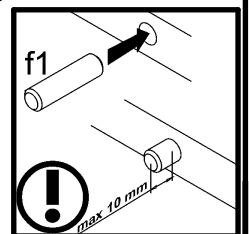
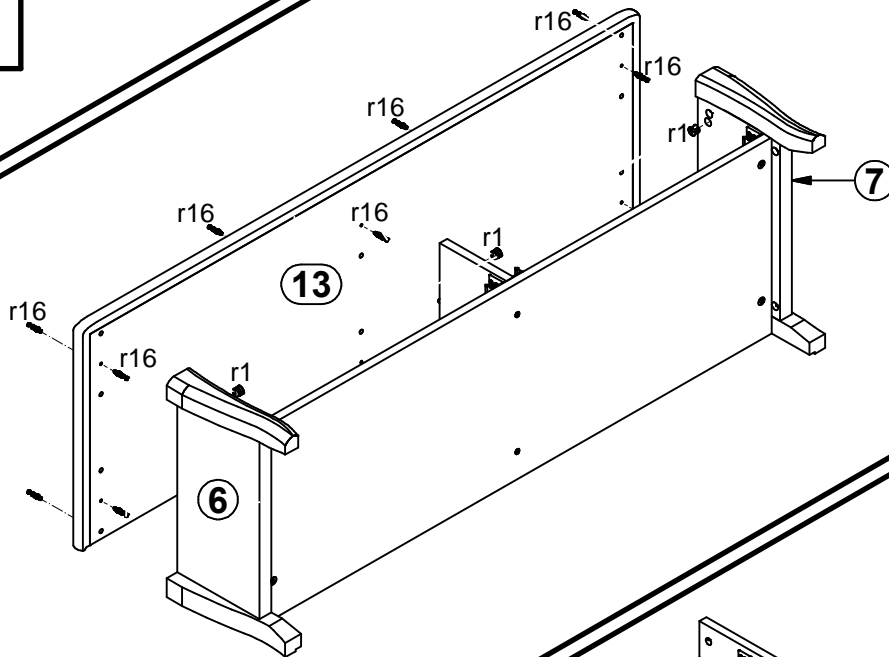
6x c226	2x c228	4x e1	72x e3	44x f1	36x f25	6x j59	4x j2	110x l1	
4x p25	44x p38	38x r1	38x r15	76x r16	4x s2	2x t33	9x w58/L	9x w58/P	
1x z1	1x n26/l	1x p38							



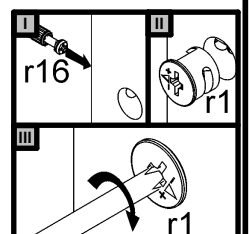
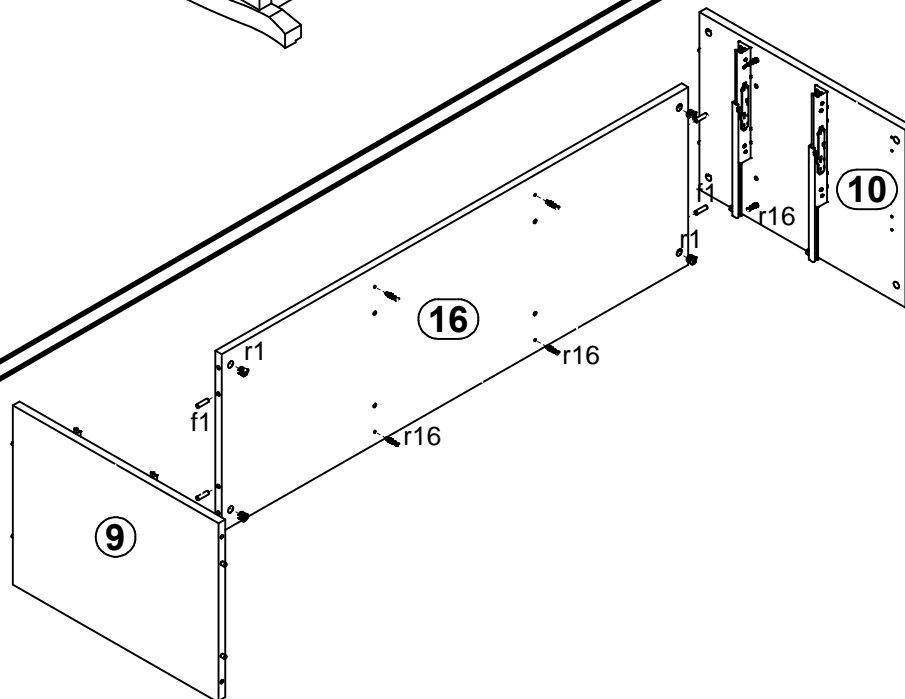
3

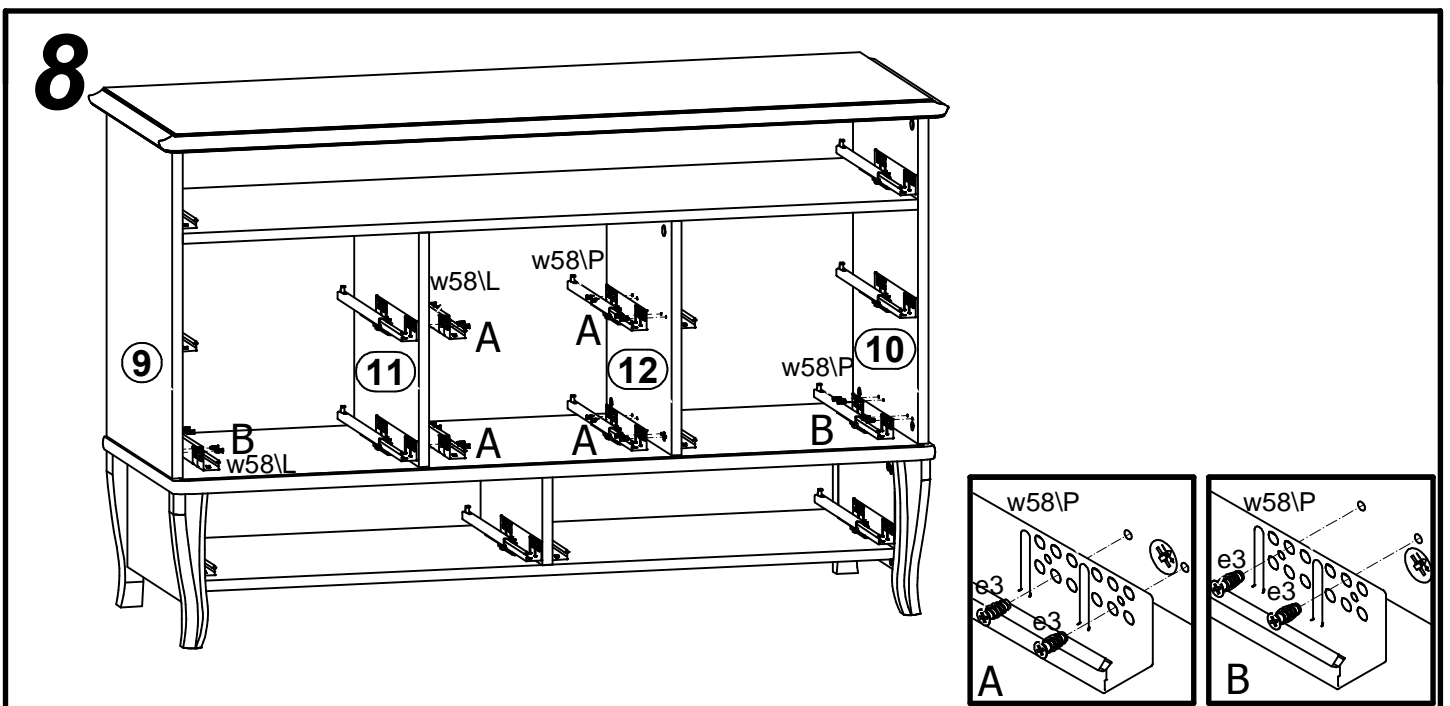
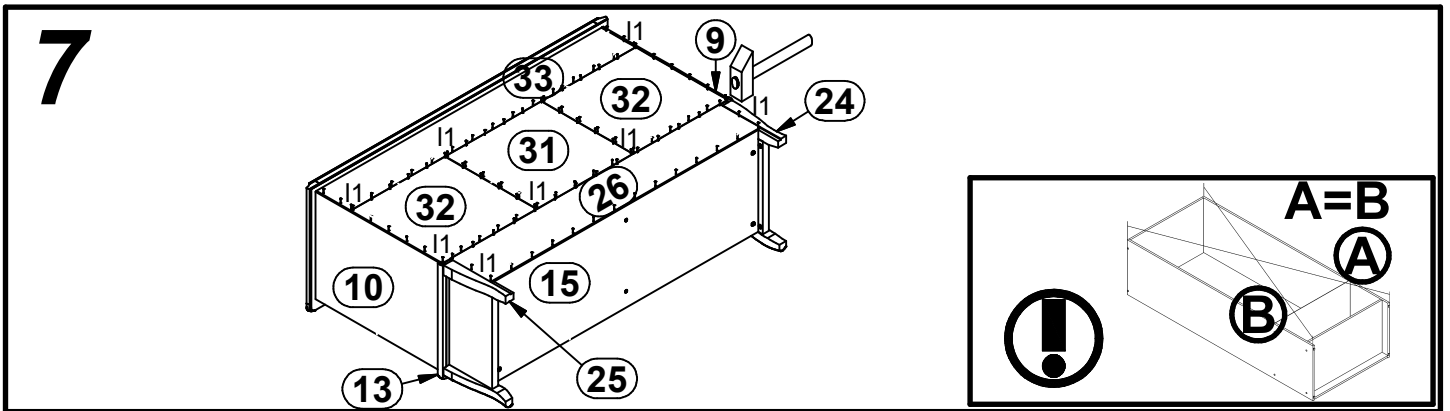
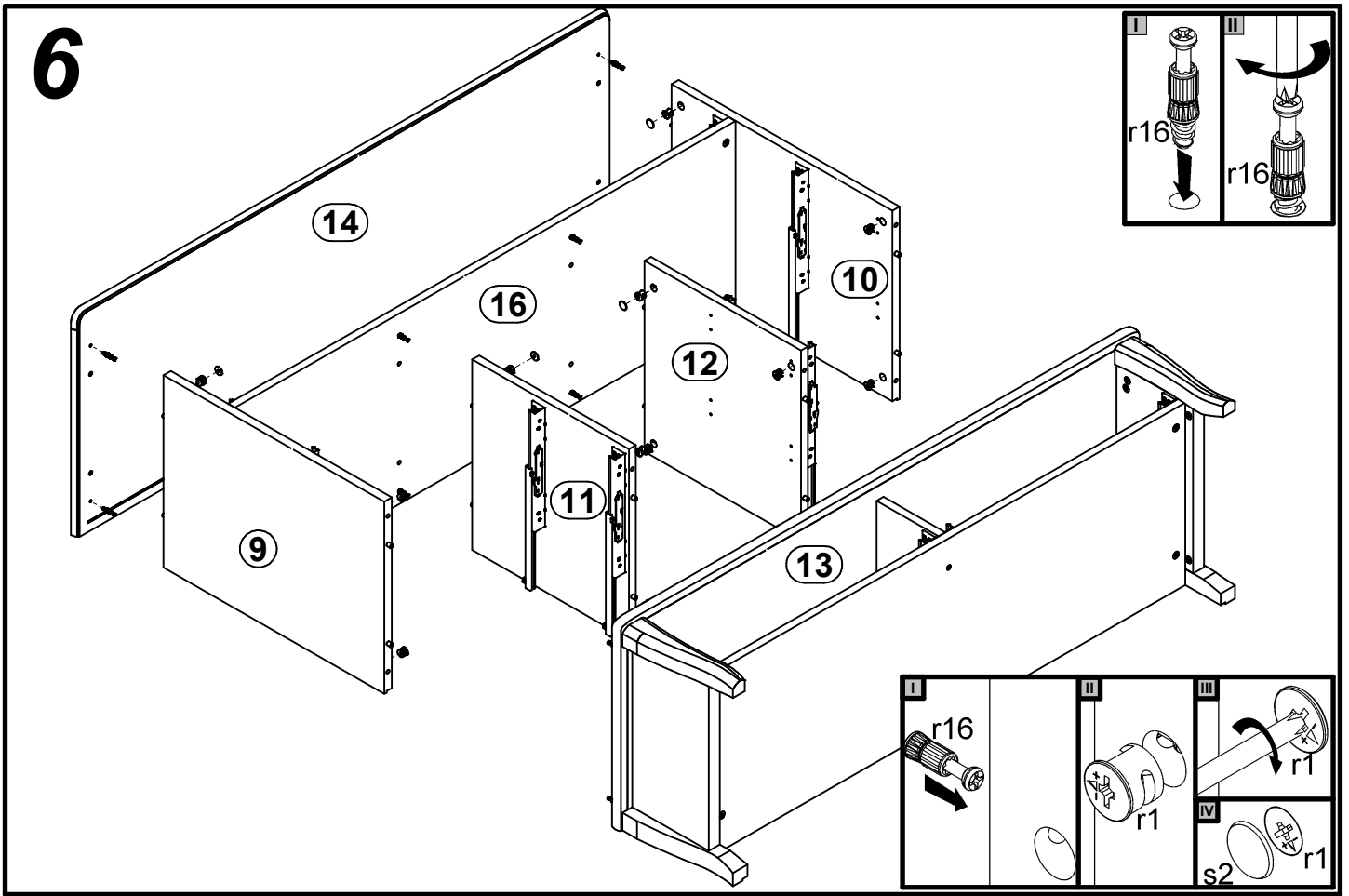


4

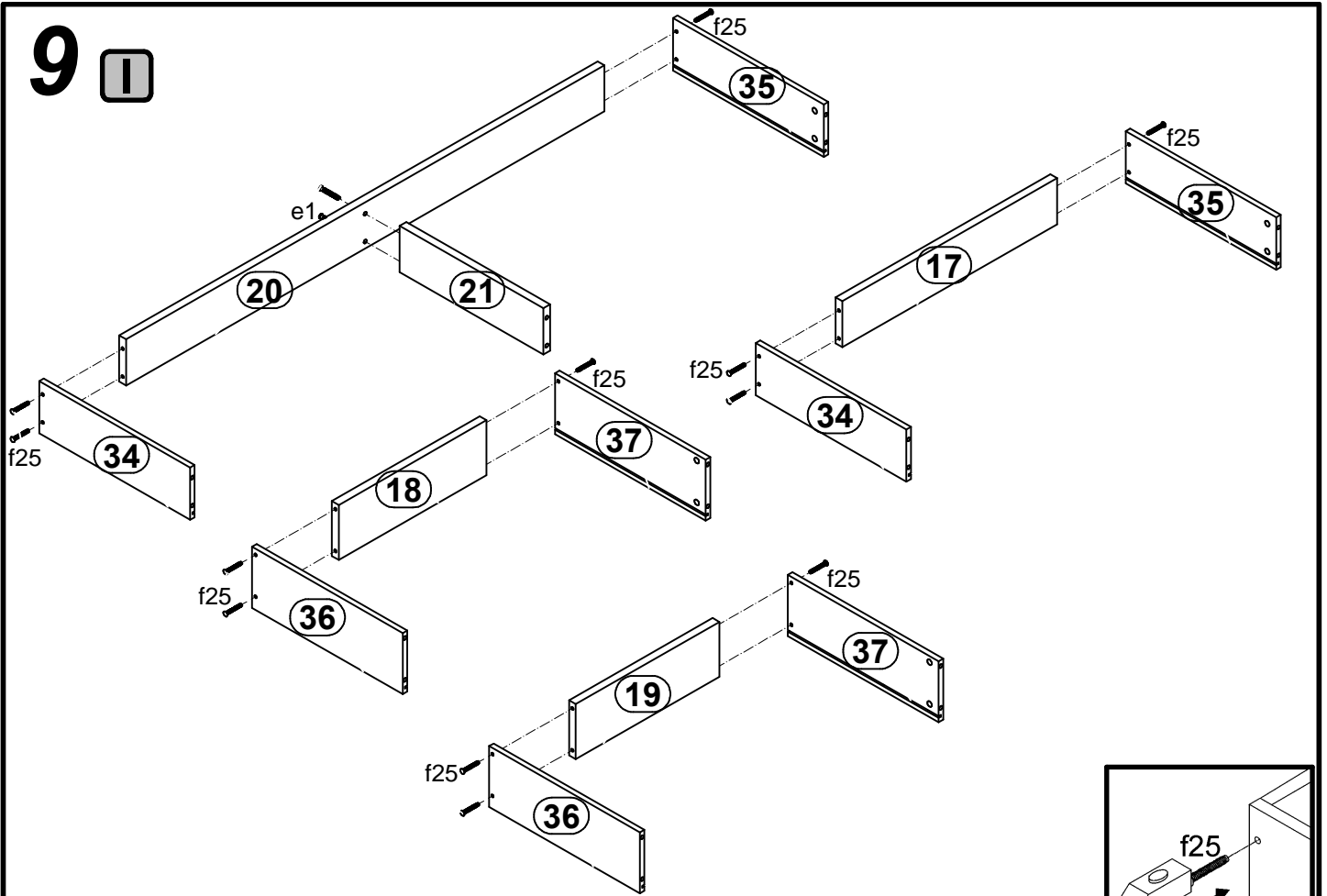


5





9 I



II

