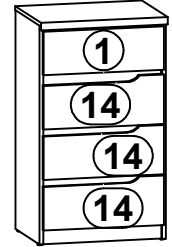
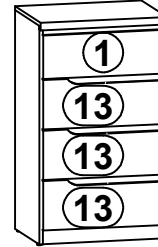


A	B	C	D	
1	S162-006	494	176	3/3
2	S162-101	885	371	1/3
3	S162-102	885	371	1/3
4	S162-203	520	397	1/3
5	S162-404	488	60	1/3
6	S162-405	488	60	1/3
7	S162-408	488	60	1/3
8	S162-904	461	355	1/3
9	S162-907	850	513	1/3
10	ZS3-509	350	120	1/3
11	ZS3-510	350	120	1/3
12	ZS3-5506	439	120	1/3



S162-KOM4SL

S162-KOM4SP

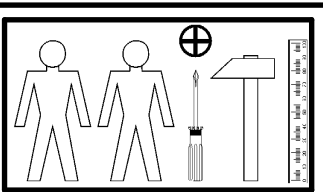
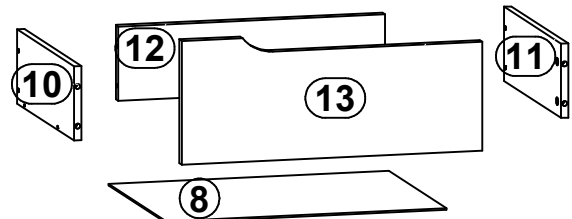
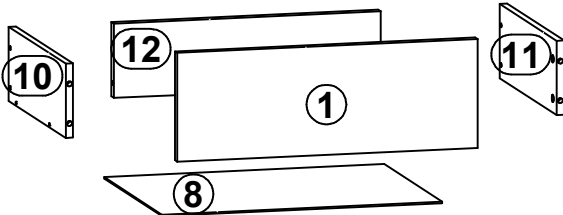
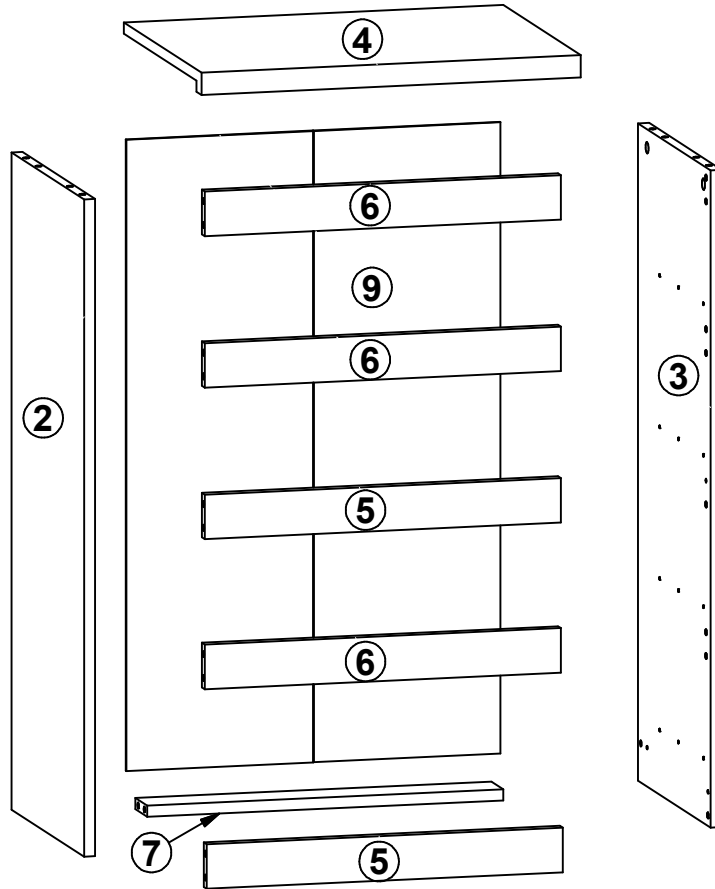


S162-KOM4SL

A	B	C	D	
13	S162-016	494	200	2/3

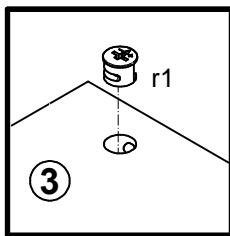
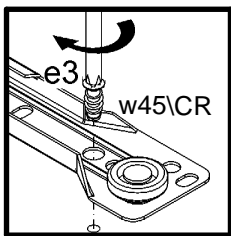
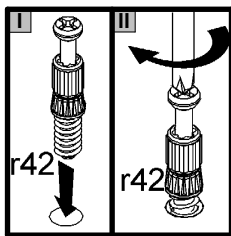
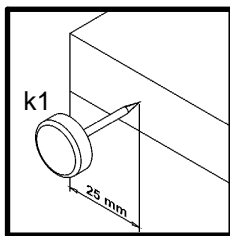
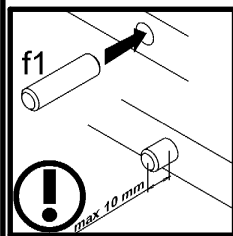
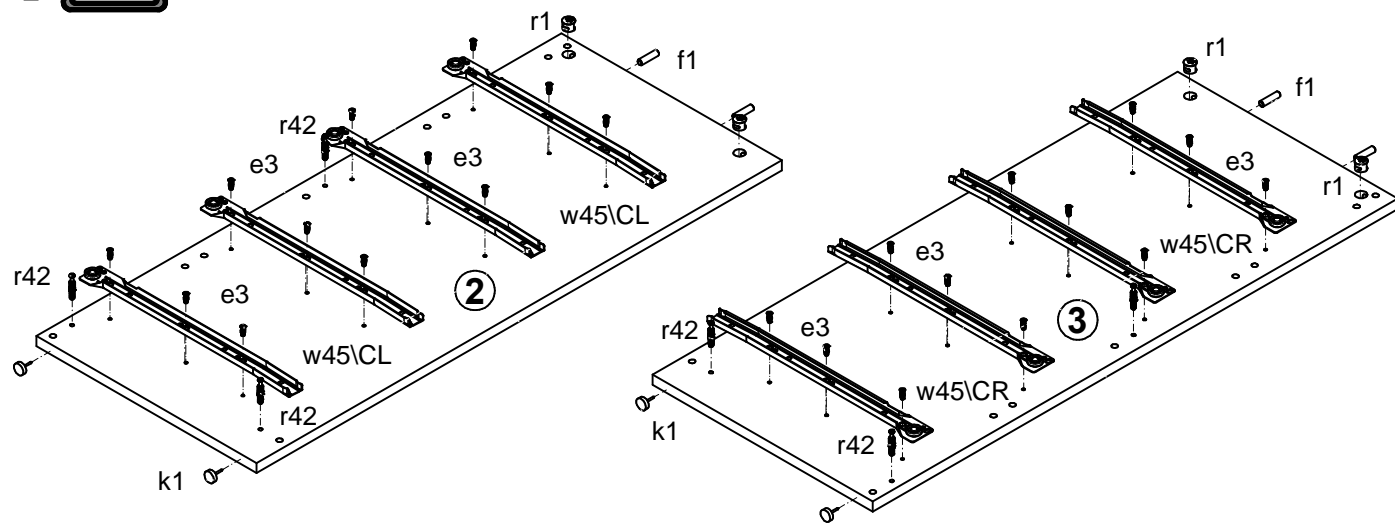
S162-KOM4SP

A	B	C	D	
14	S162-002	494	200	2/3

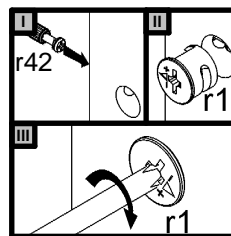
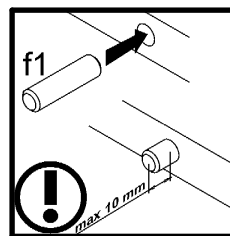
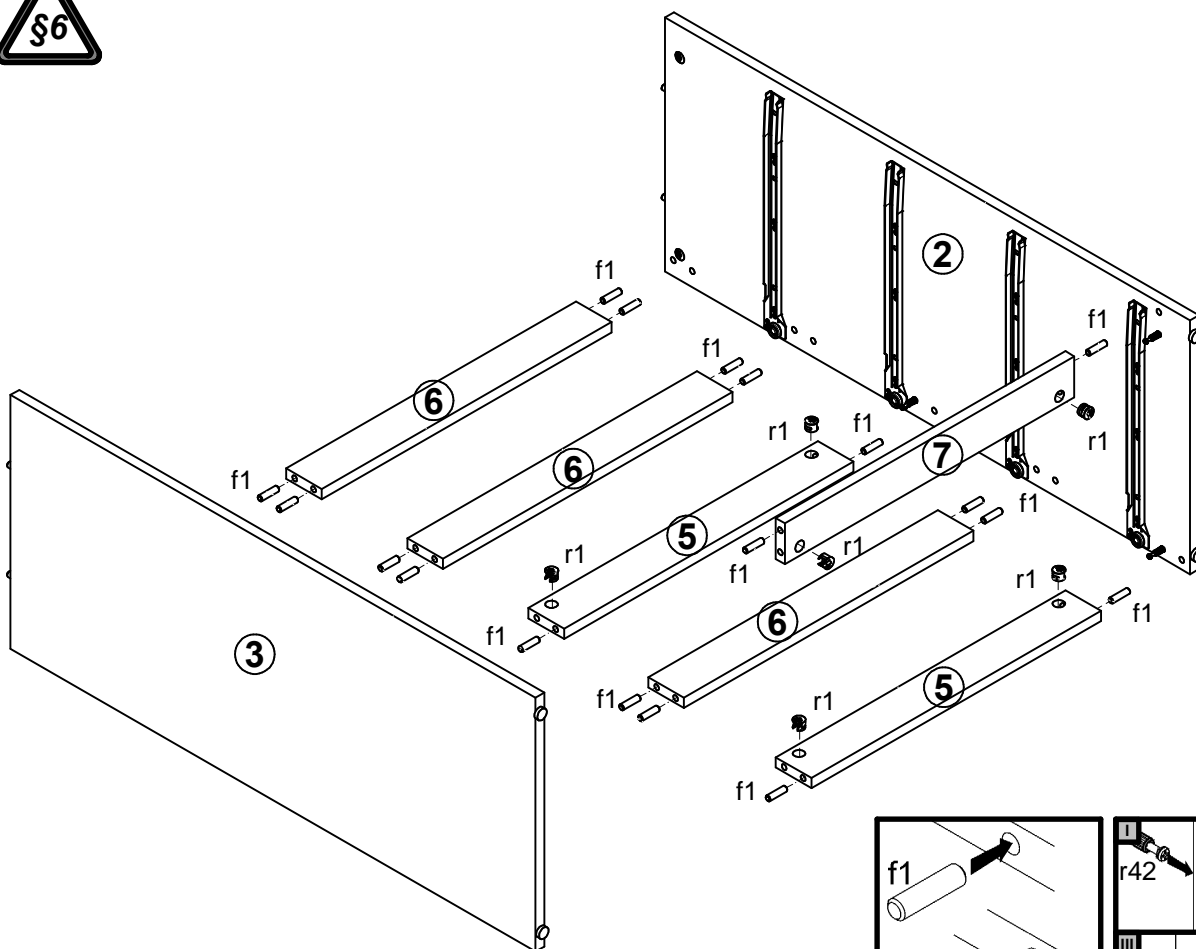


16x φ5x9 mm e19	24x φ6x13 mm e3	22x φ8x30 mm f1	16x φ6.5x40 mm f25	4x k1	30x l1	12x φ3.5x16 mm p38	10x φ1.5x12mm #16 r1	16x φ12x10.5mm #12 r15
26x r42	4x 350 mm w45\CL	4x 350 mm w45\CR	4x 350 mm w45\DL	4x 350 mm w45\DR	1x n26\1	1x φ3.5x16 mm p38		

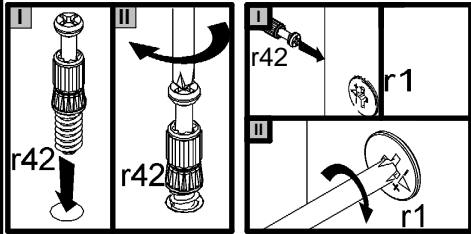
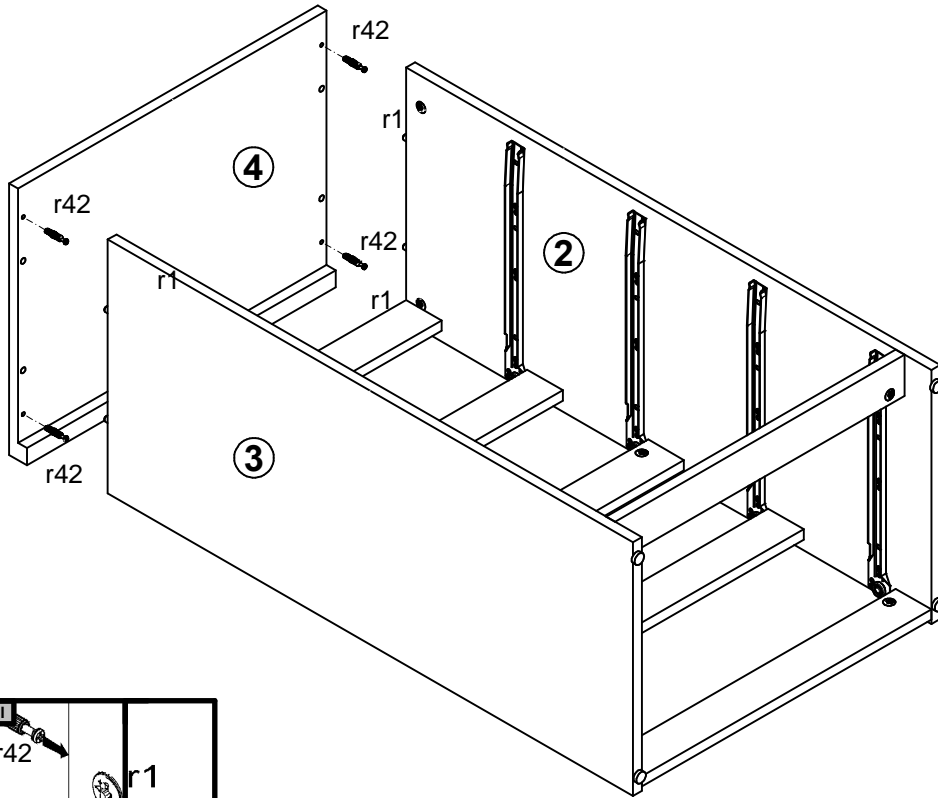
1



2



3



4

