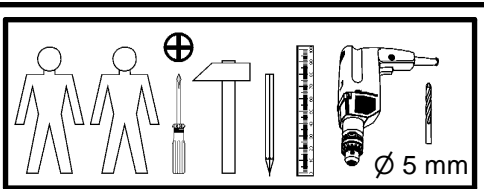
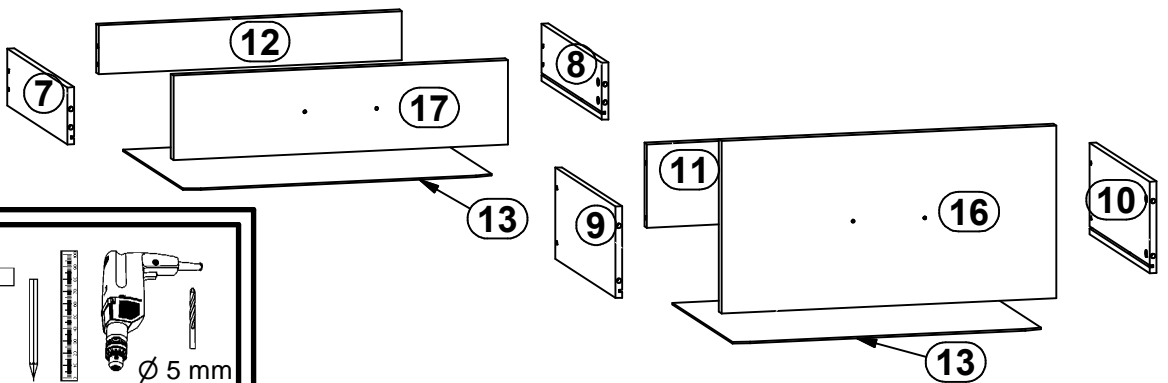
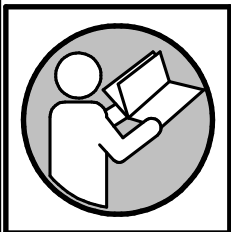
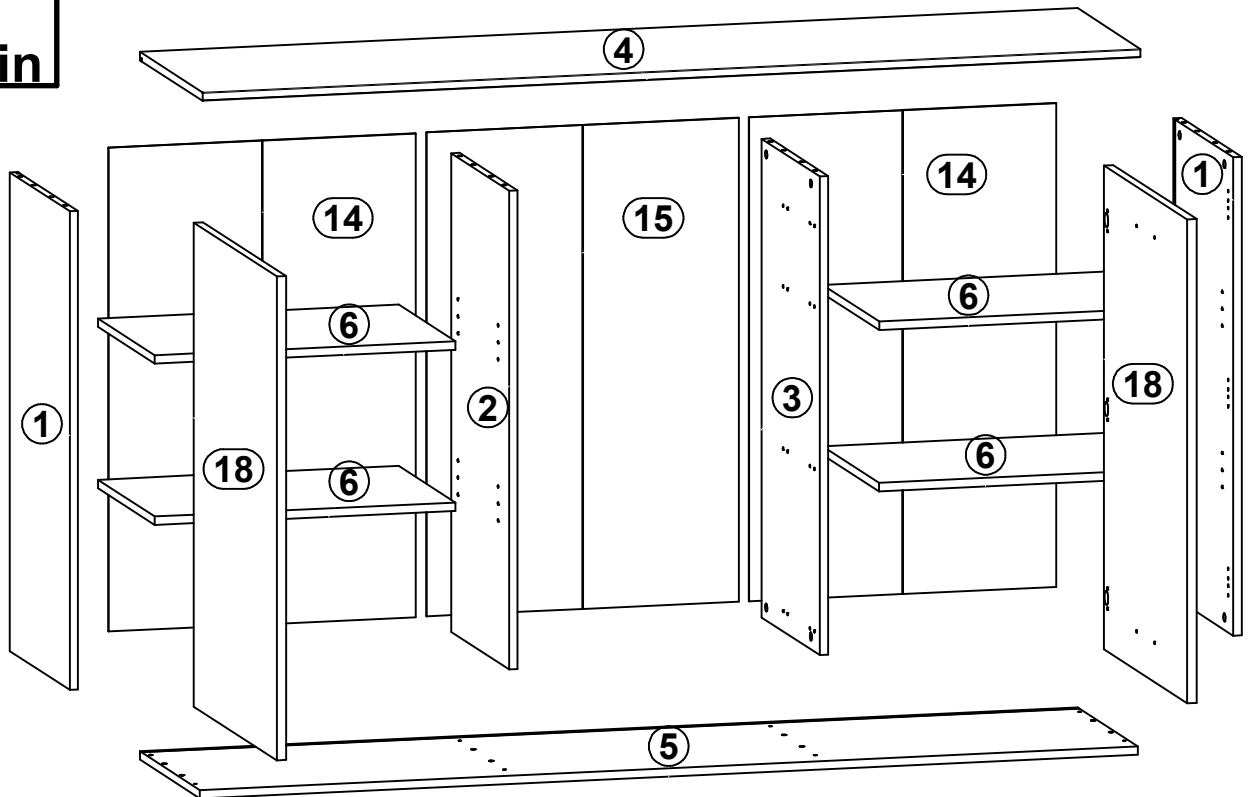
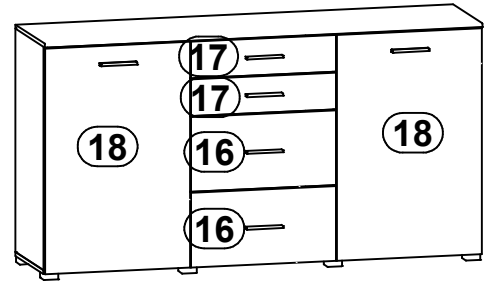


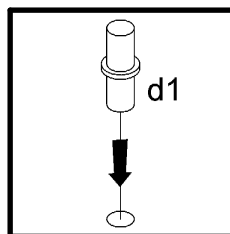
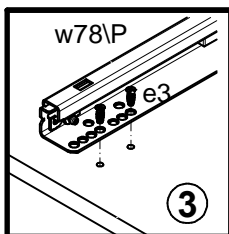
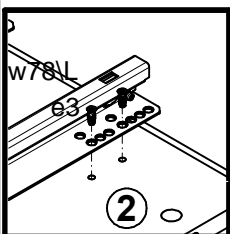
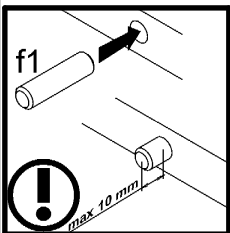
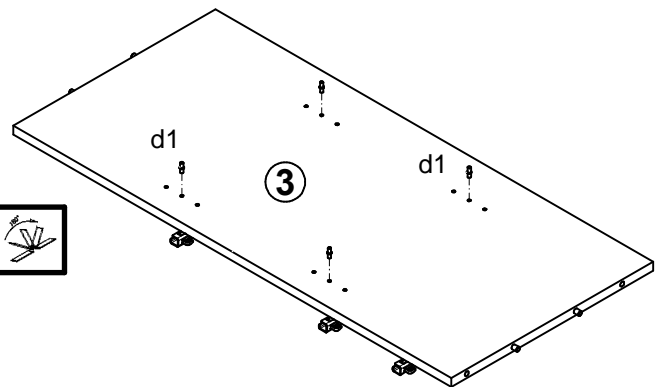
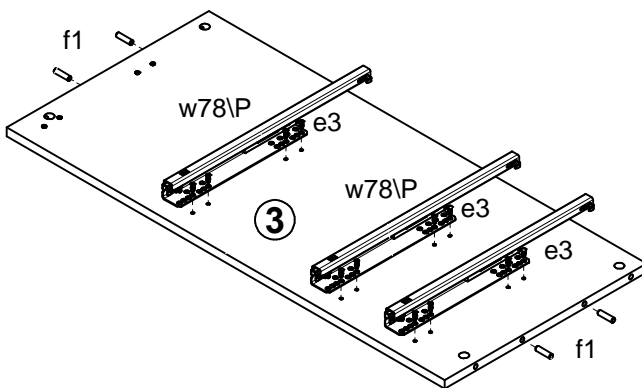
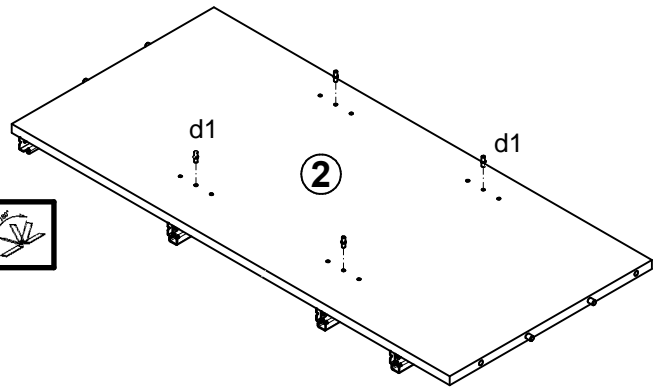
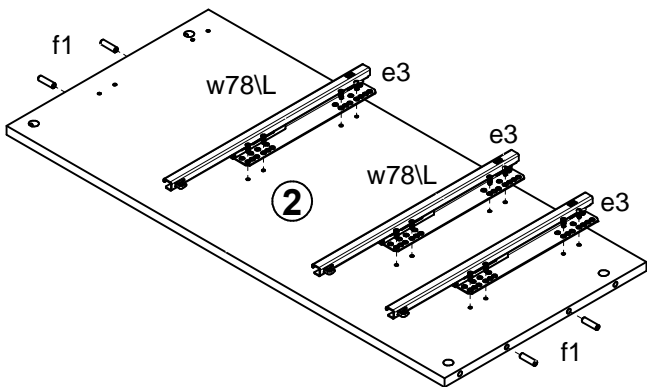
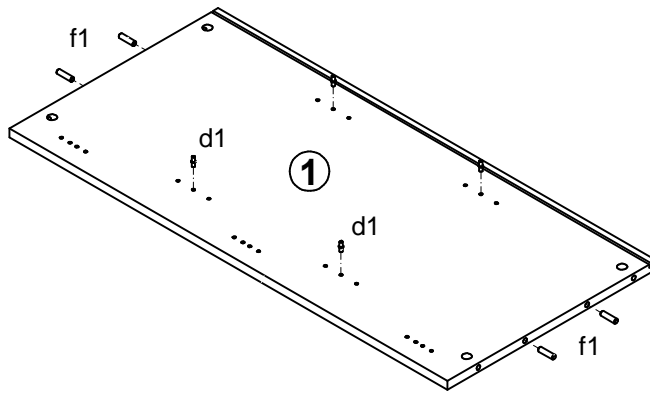
S164-KOM2D4S/9/18

A	B	C	D	A	B	C	D		
1	S116-115A	902	430	1/3	10	S116-505	400	160	2/3
2	S116-116A	902	416	2/3	11	S116-507	540	146	2/3
3	S116-117A	902	416	2/3	12	S116-508	540	86	2/3
4	S116-210A	1800	450	1/3	13	S116-911	550	406	2/3
5	S116-211A	1800	430	1/3	14	S116-9901	912	589	2/3
6	S116-308A	577	406	2/3	15	S116-9902	912	599	2/3
7	S116-501	400	100	2/3	16	S164-001	596	302	3/3
8	S116-502	400	100	2/3	17	S164-002	596	148	3/3
9	S116-504	400	160	2/3	18	S164-003	596	912	3/3

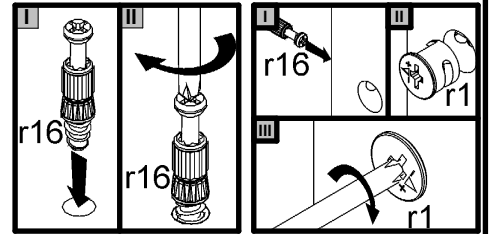
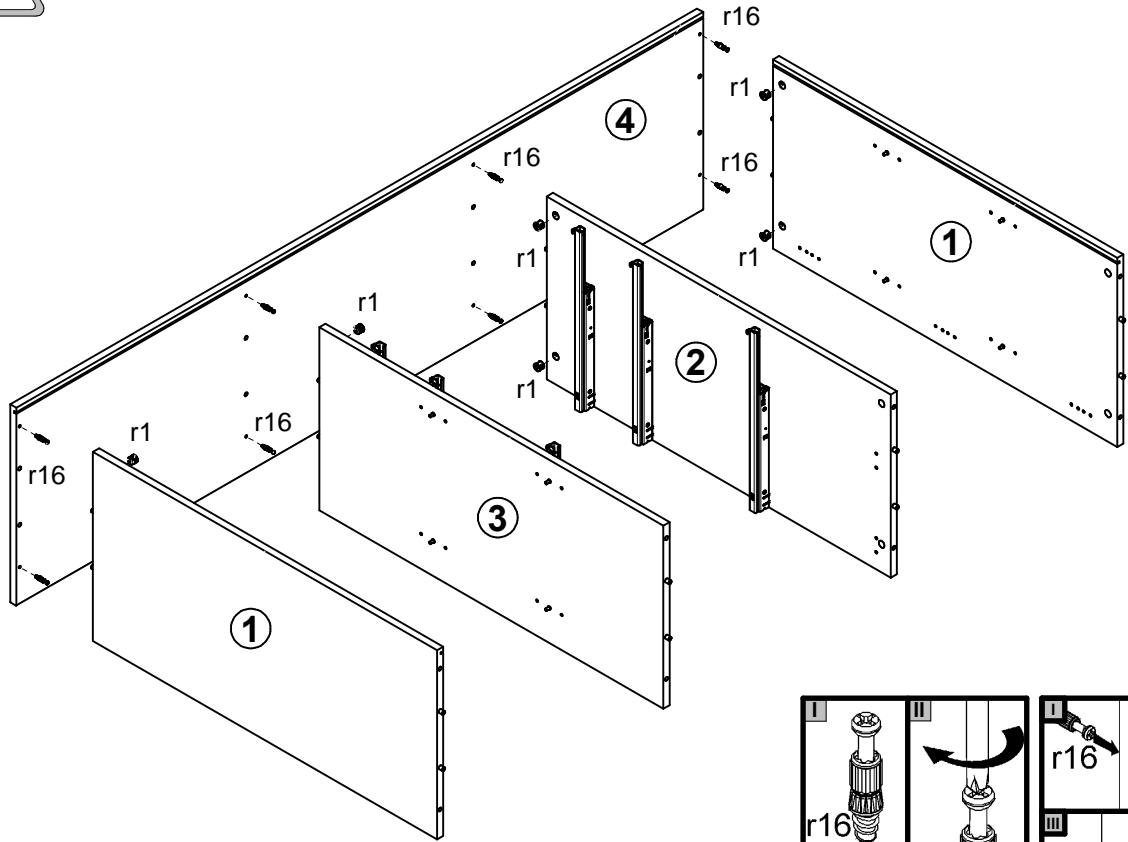


6x a2	6x b1	6x c253\3	16x d1 φ5x17 mm	32x e3 φ6x13 mm	16x f1 φ8x30 mm	16x f25 φ6.5x40 mm	8x k55	40x l1
4x p25 φ3.5x16 mm	16x r1 φ1.5x12mm #16	16x r15 φ12x10.5mm #12	32x r16	4x p35 φ3.5x10 mm	4x t33 400 mm	16x p38 φ3.5x16 mm	16x p6 φ4x3.5 mm	12x p9 φ4x30 mm
1x p38 φ3.5x16 mm	4x w78\lP 400 mm	4x w78\l 400 mm	1x n26\l	8x s2 ø16	10x o21 silikon	16x l2		

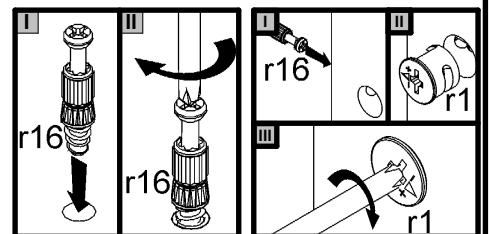
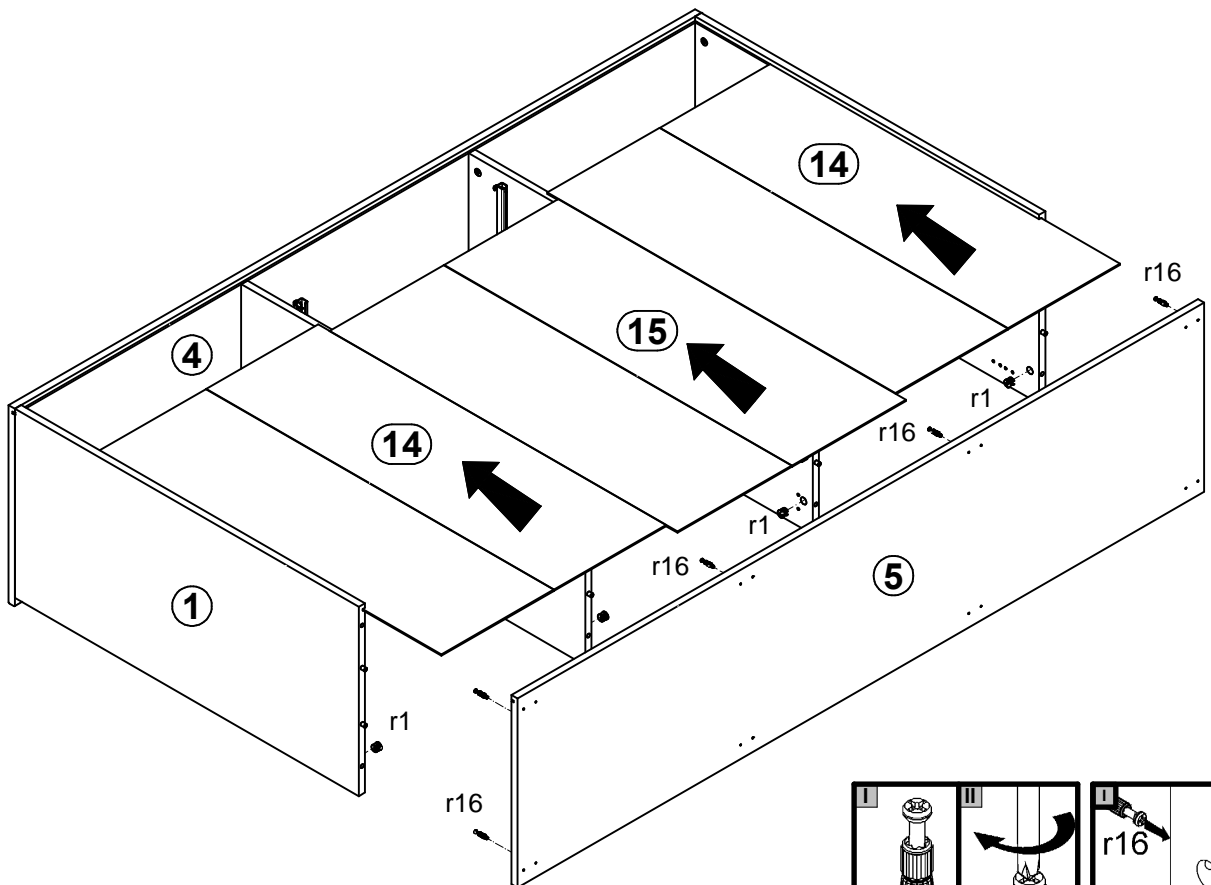
1



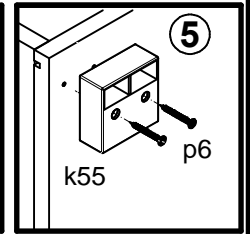
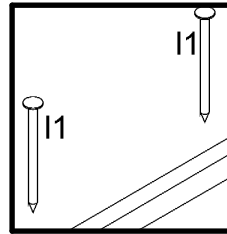
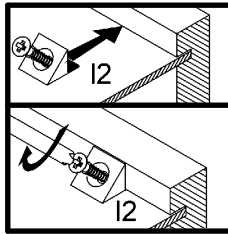
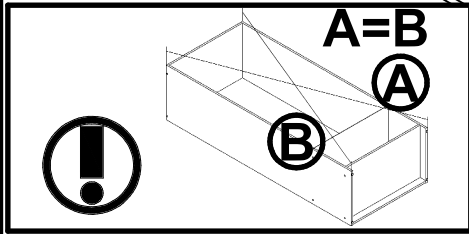
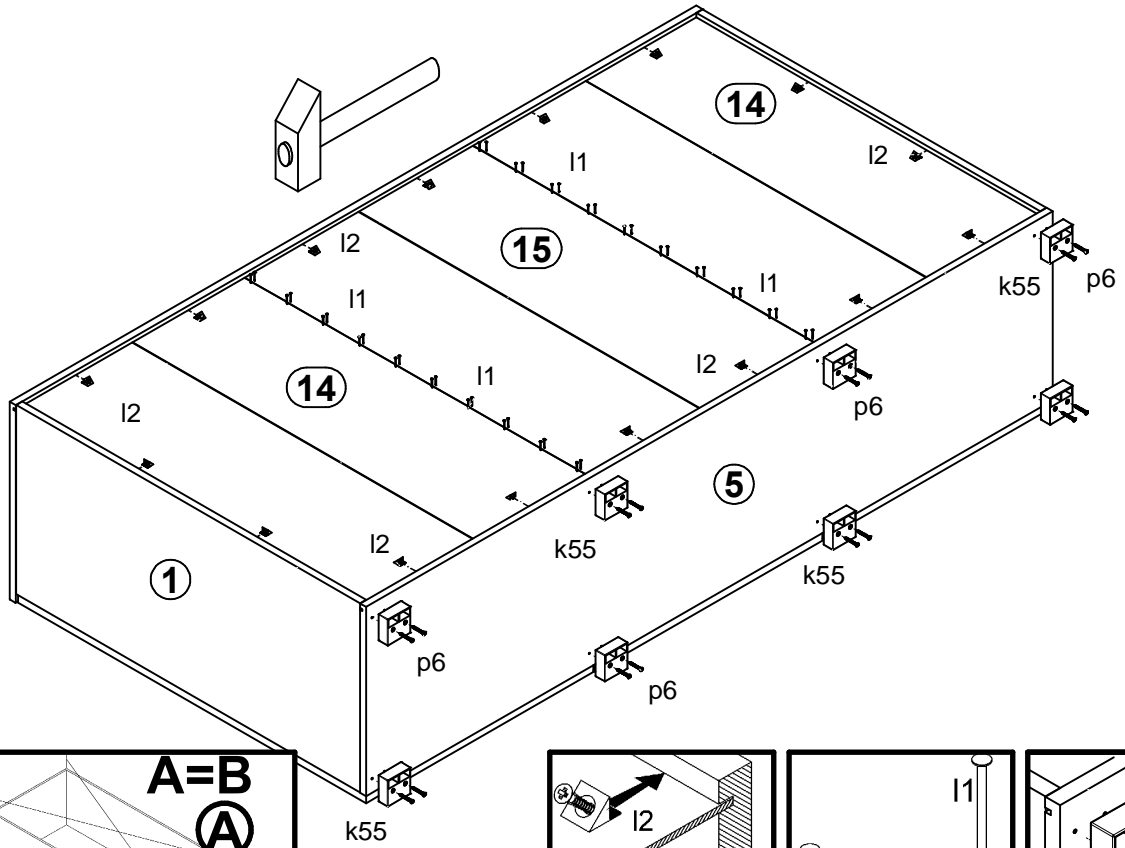
2



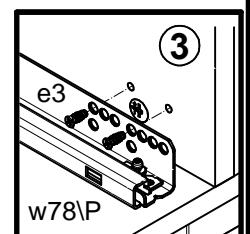
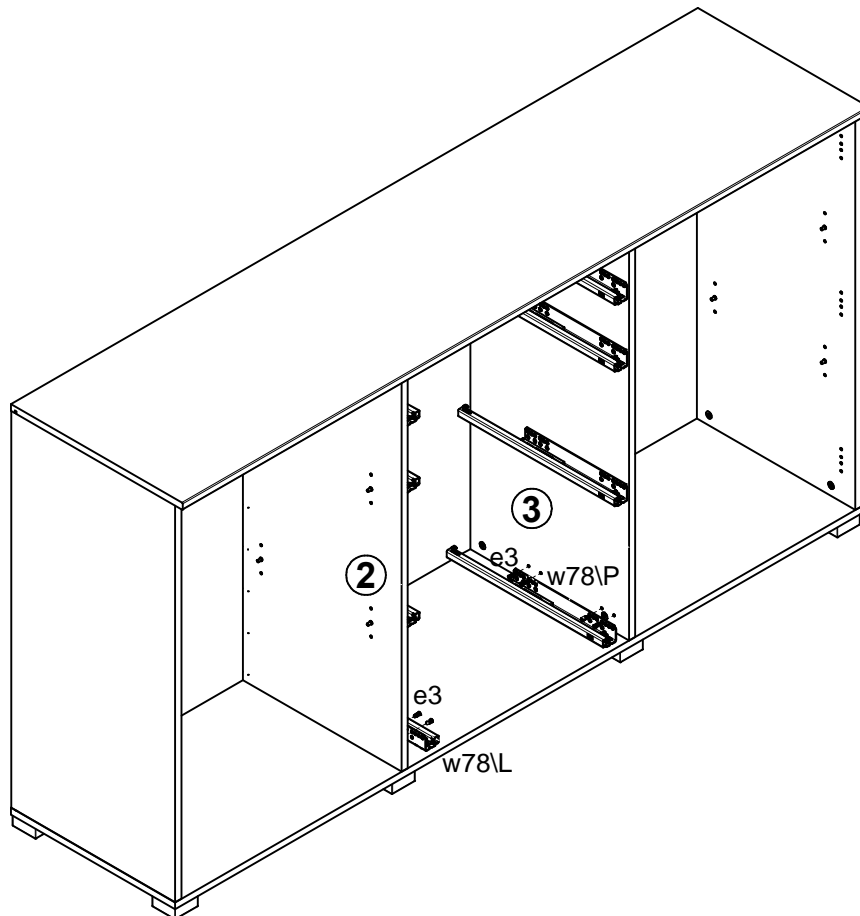
3



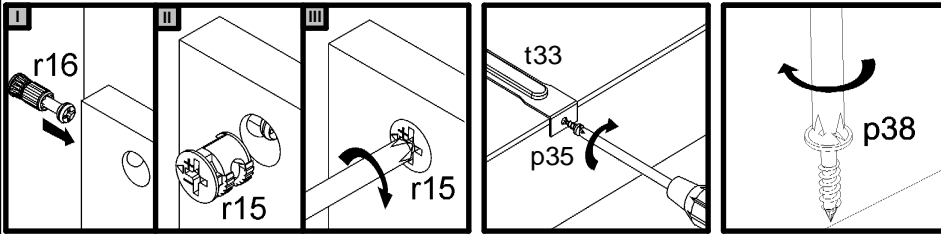
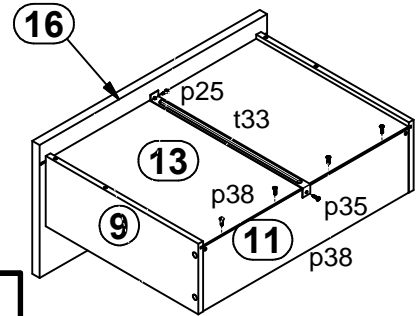
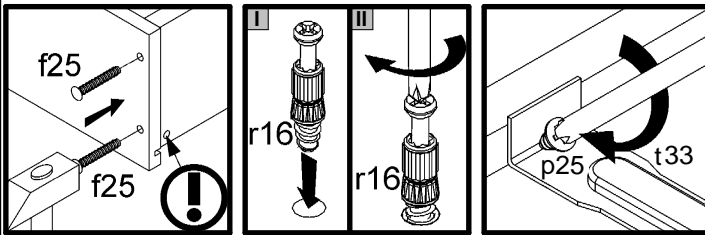
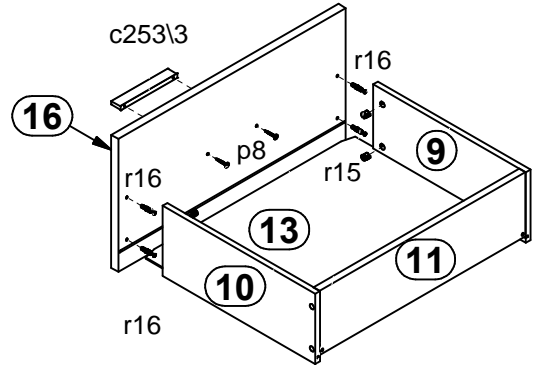
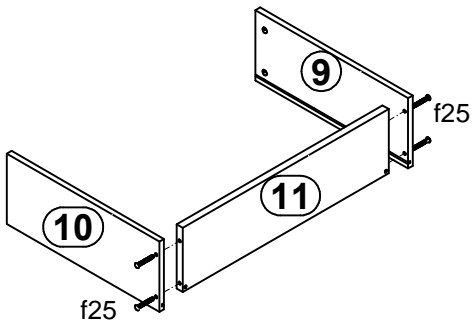
4



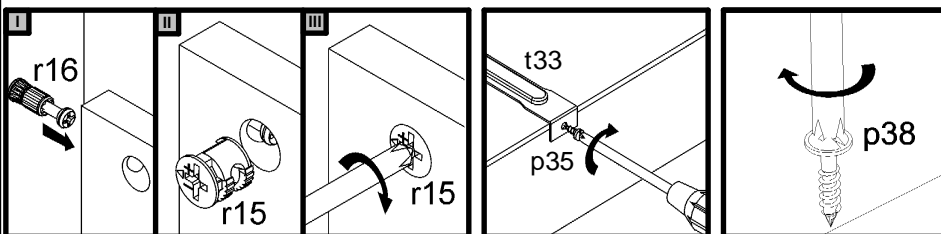
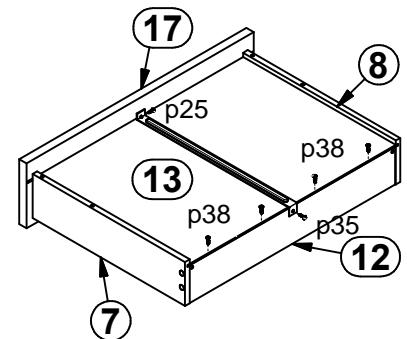
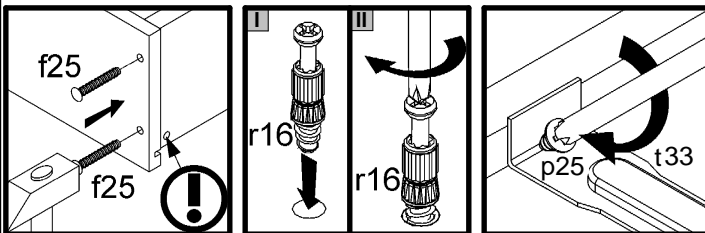
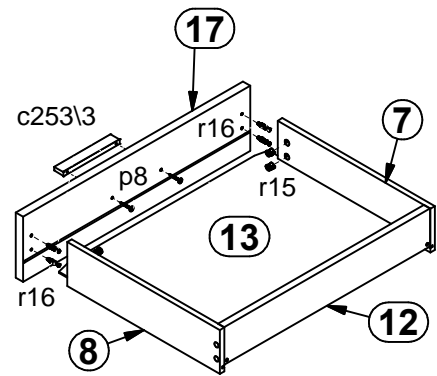
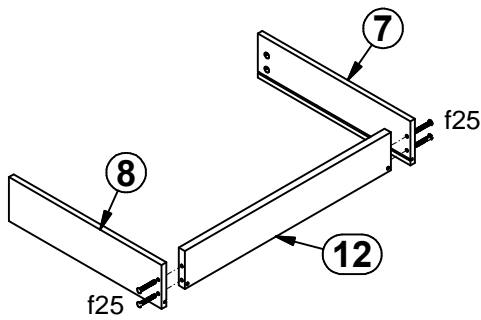
5



6



7



8 §18

