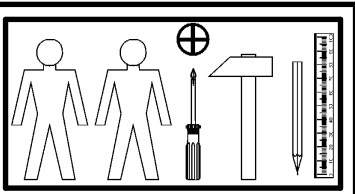
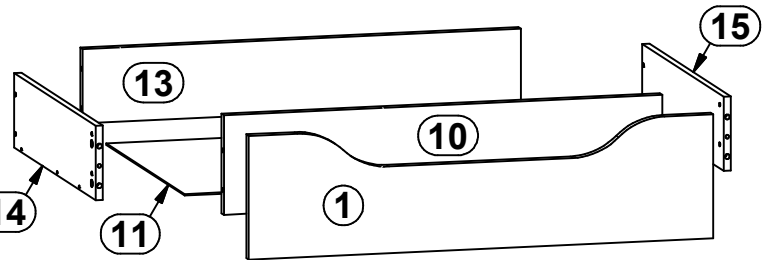
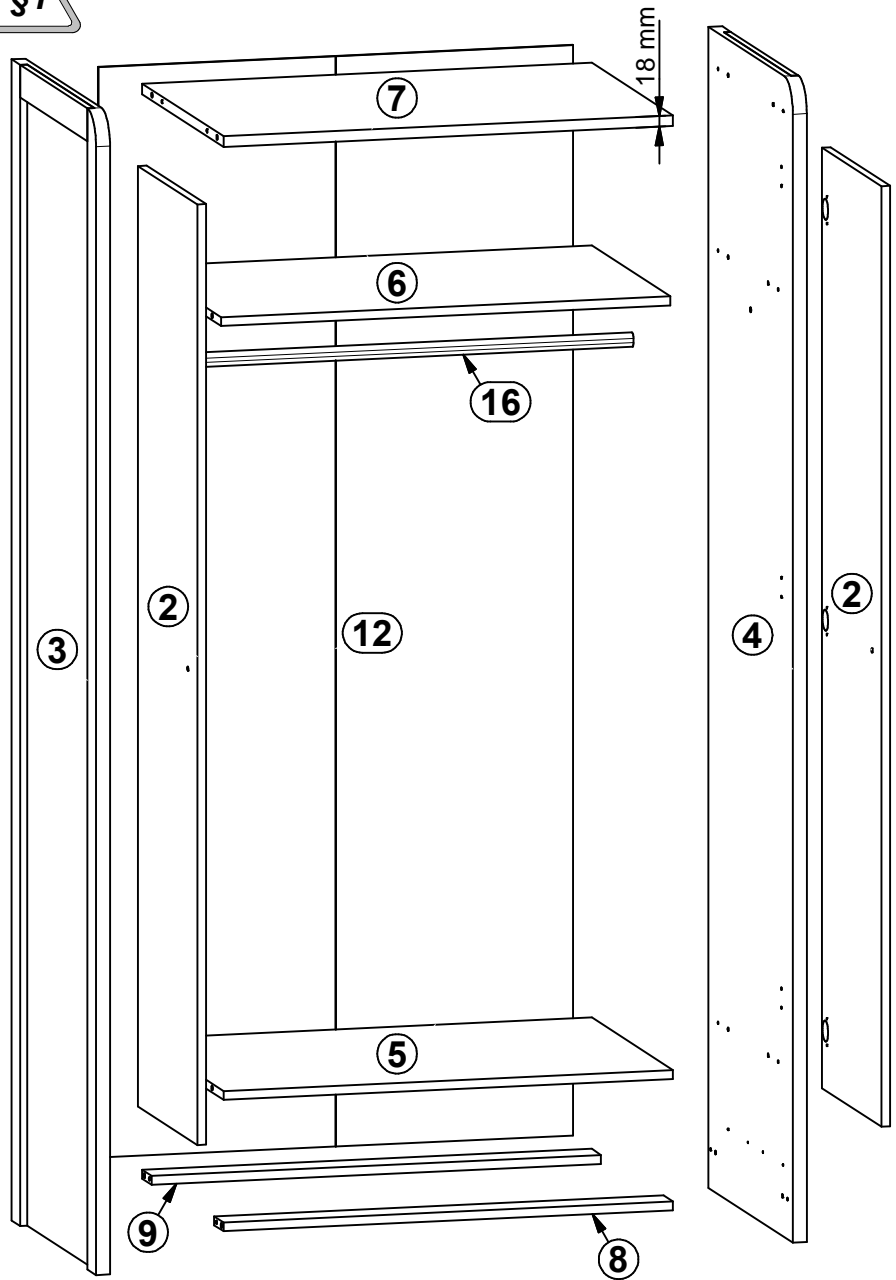
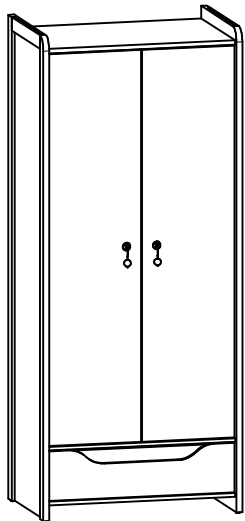
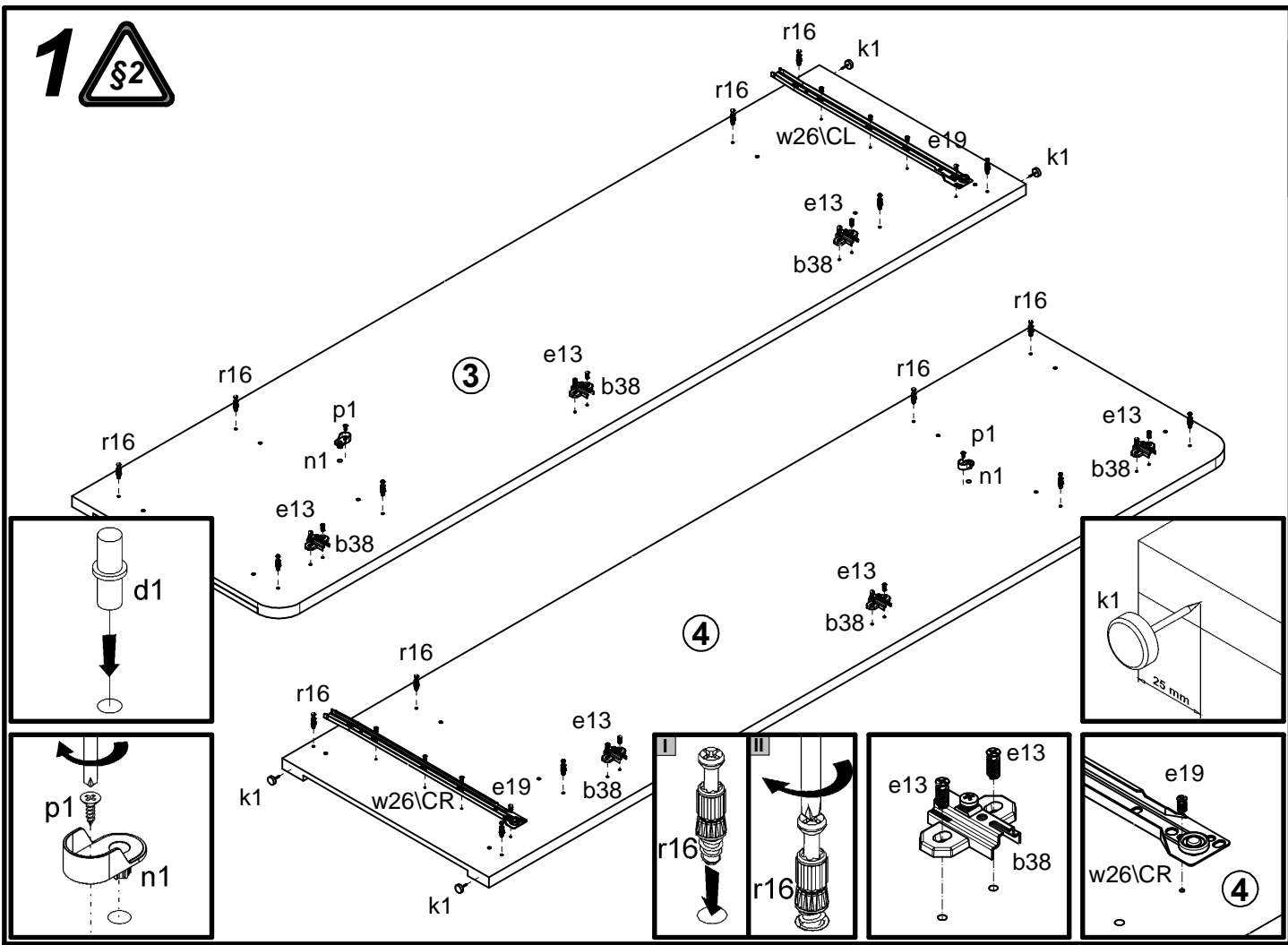


A	B	C	D
1	S193-002	764	200
2	S193-009	1583	380
3	S193-107	1954	540
4	S193-108	1954	540
5	S193-303	770	520
6	S193-305	770	504
7	S193-317	770	520
8	S193-401	770	60
9	S193-402	770	60
10	S193-403	721	161
11	S193-905	743	480
12	S193-908	1835	813
13	ZS3-5554	721	120
14	ZT5-505	500	120
15	ZT5-506	500	120
16	dr-765	765	22

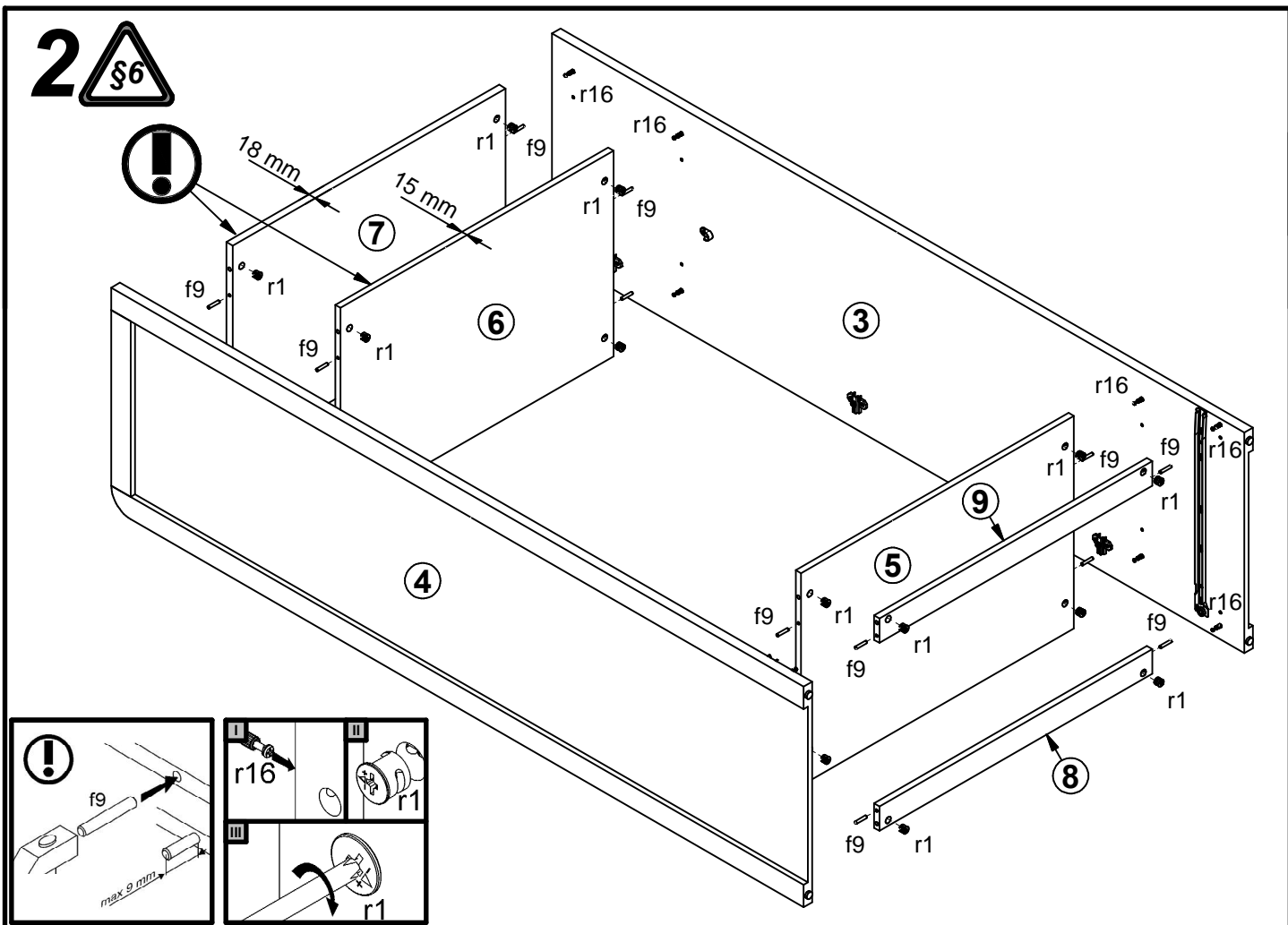


6x  a43	6x  b38	2x  c353\1	12x  e13	14x  e19	8x  f25	18x  f9	2x  j29	4x  k1
70x  l1	2x  n1	2x  p1	14x  p38	12x  p51	16x  r1	4x  r15	20x  r16	8x  s2
1x  w26\CR	1x  w26\CL	1x  w26\DL	1x  w26\DR	1x  n26\1	1x  p38			

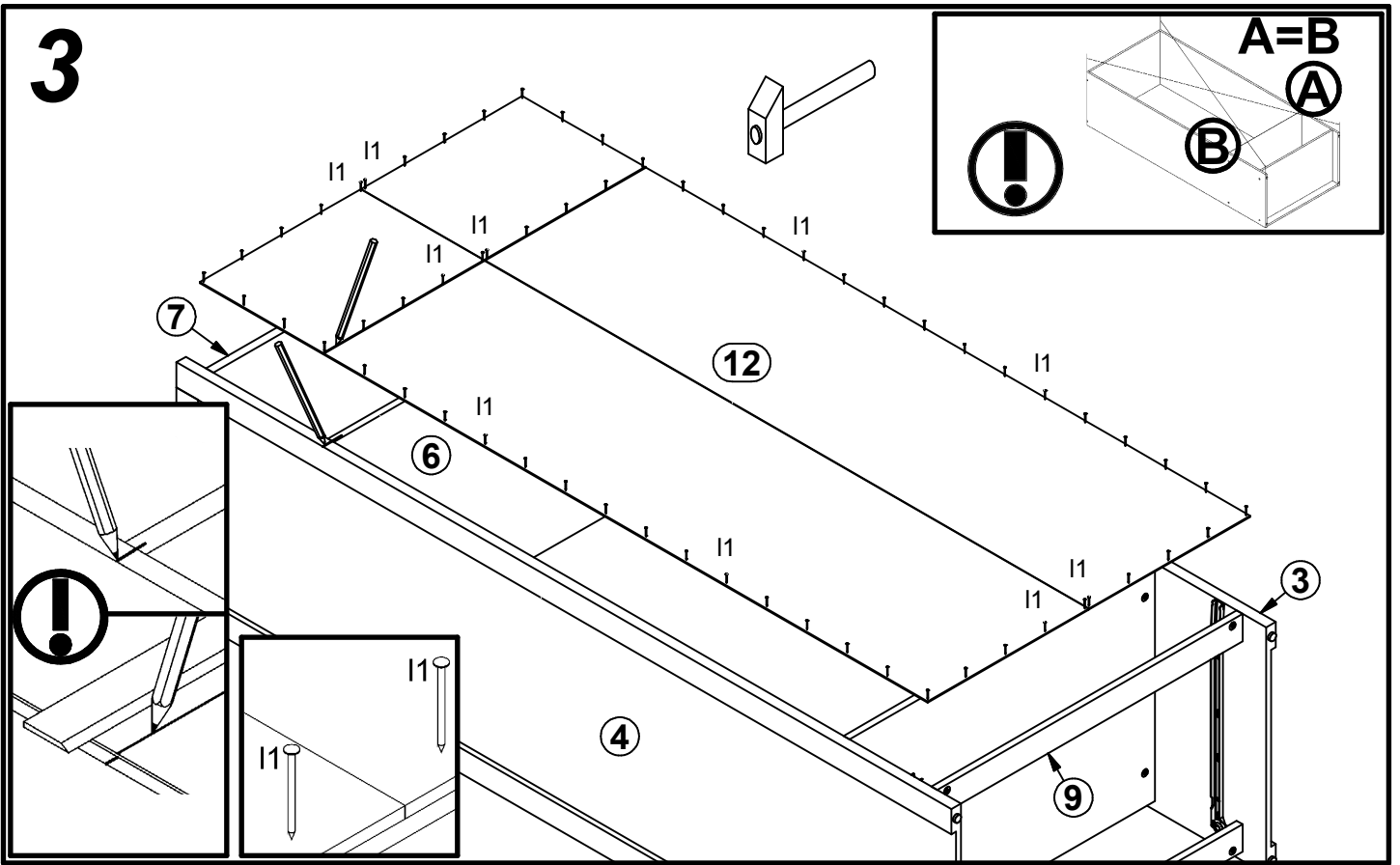
**1** 



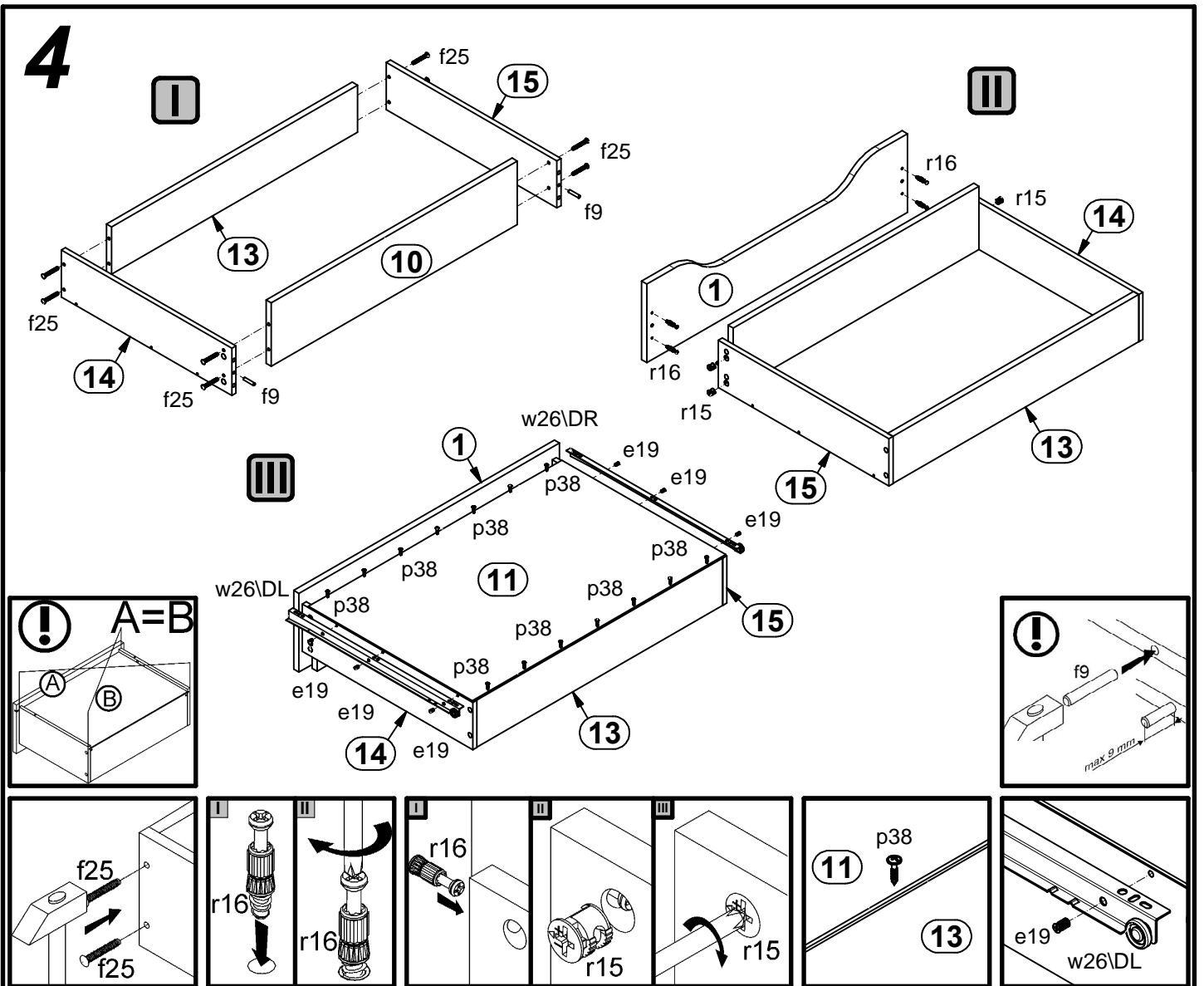
**2** 



# 3



# 4



# 5

