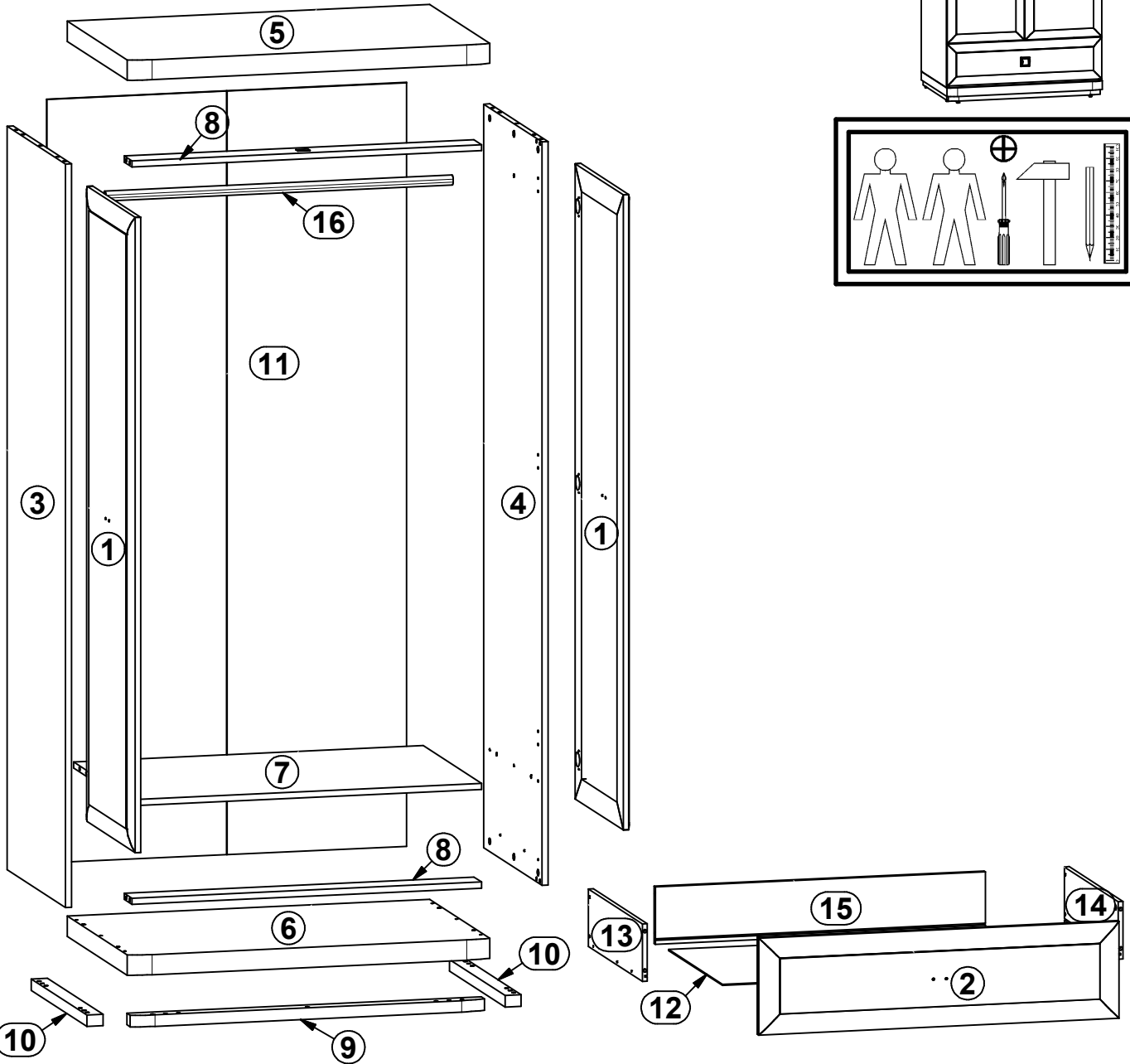
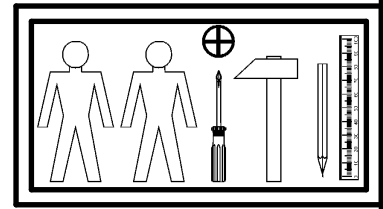
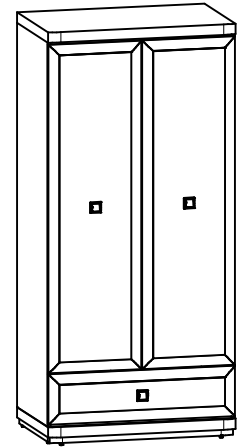


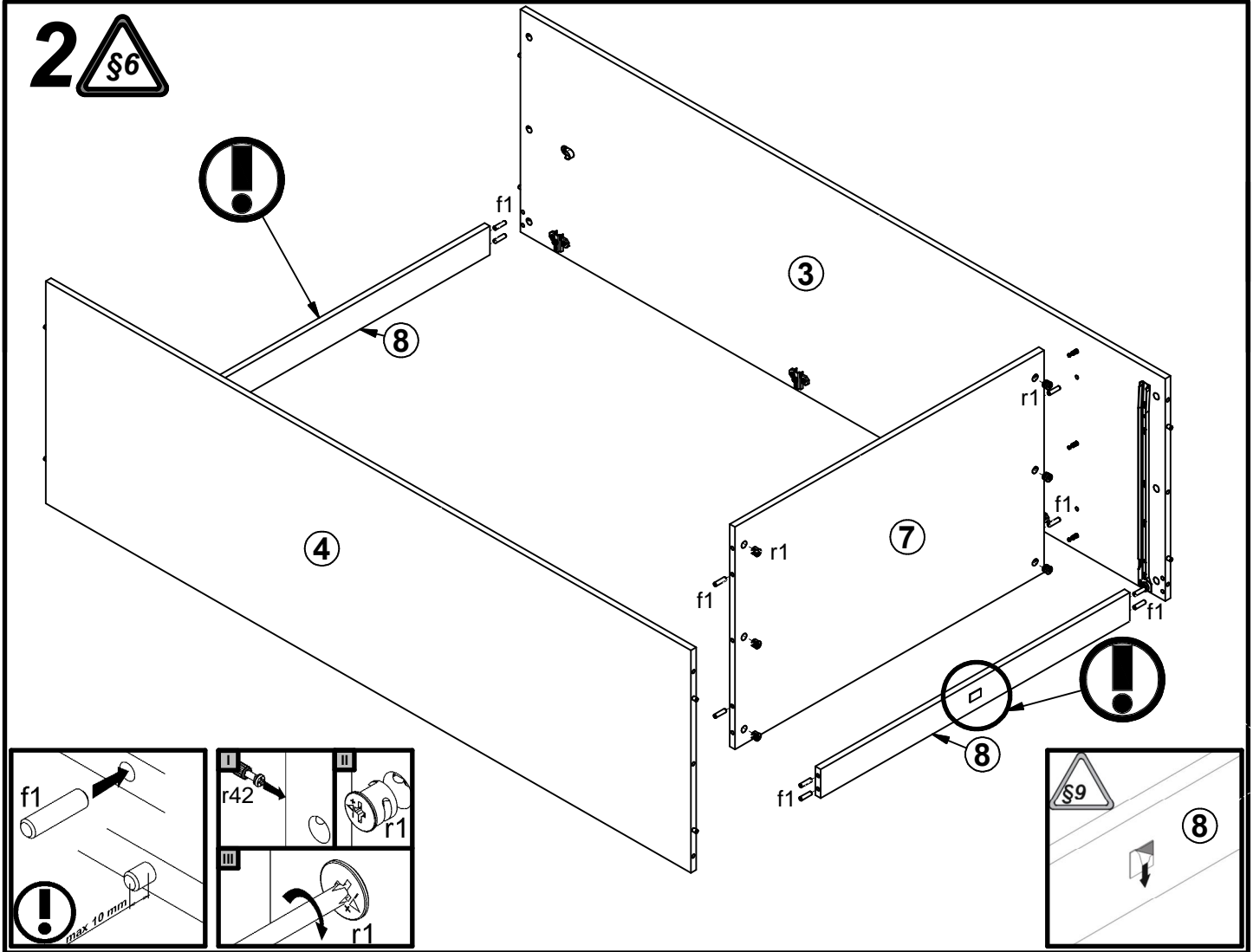
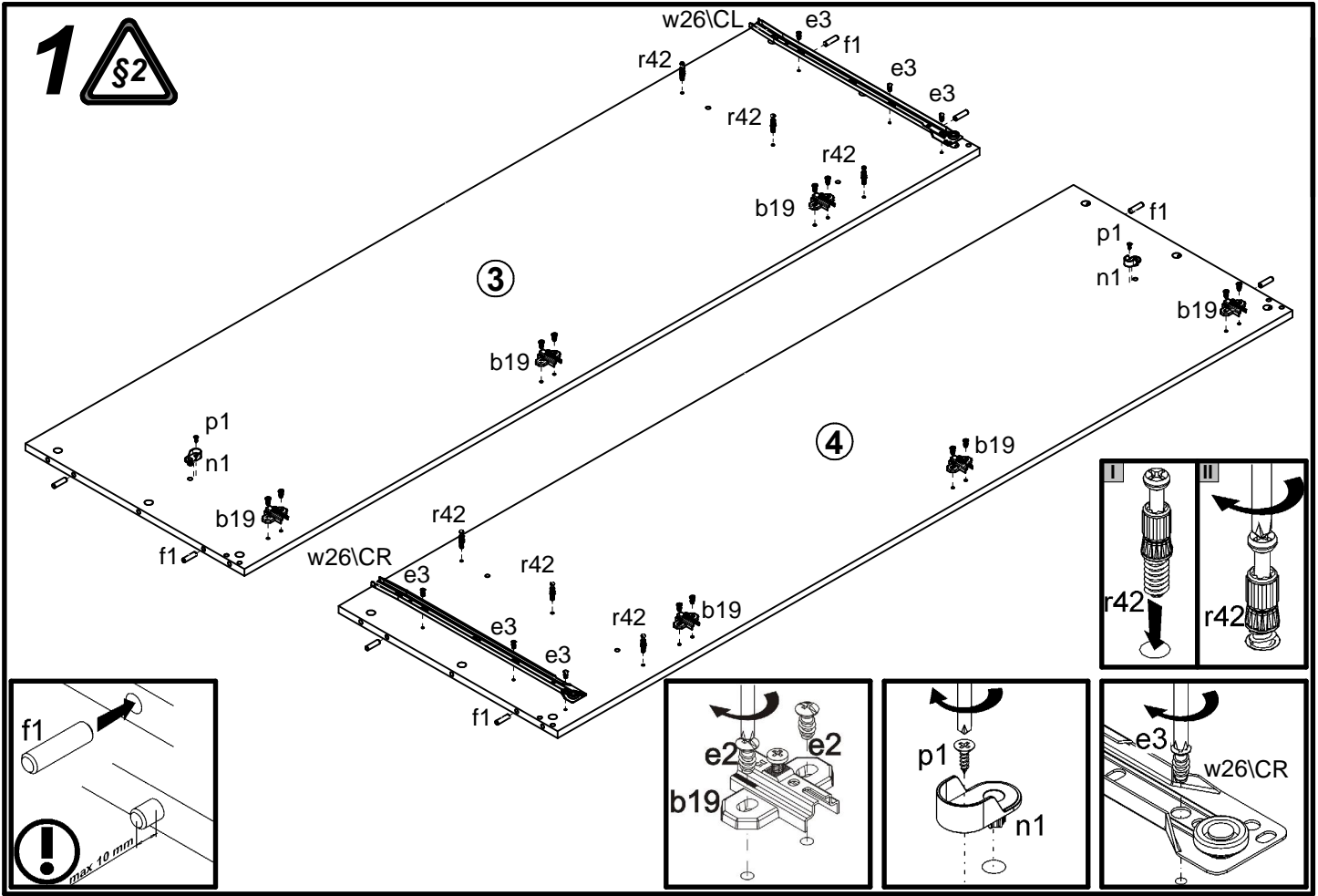
OREGON

S157-SZF2D1S

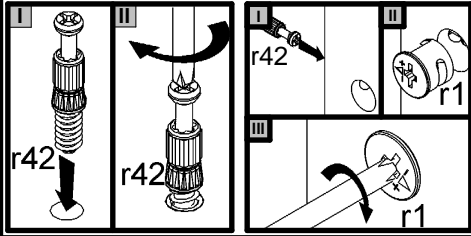
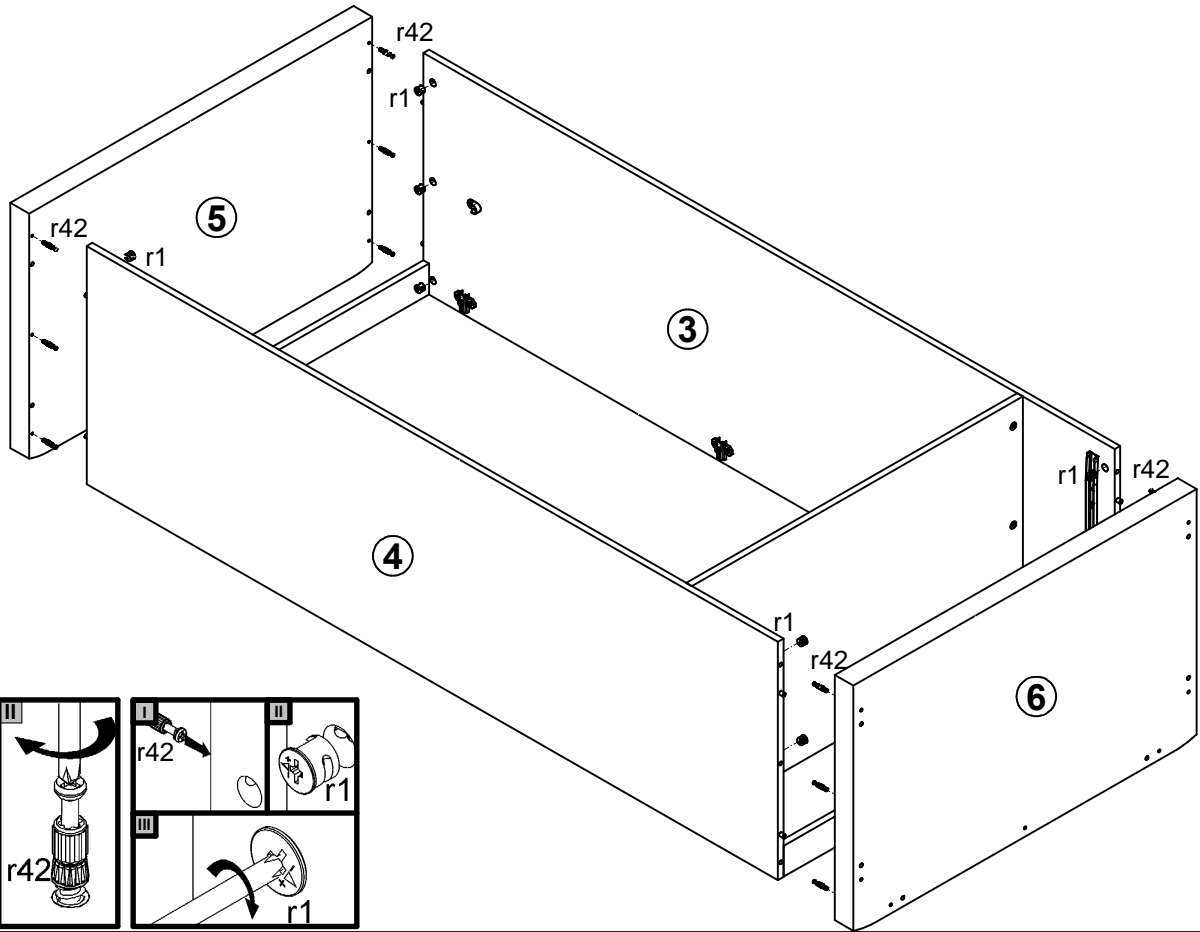
A	B	C	D	A	B	C	D		
1	S157-001	1548	445	3/4	9	S157-501	880	40	1/4
2	S157-002	894	236	4/4	10	S157-503	515	40	1/4
3	S157-103	1812	540	2/4	11	S157-903	1861	893	2/4
4	S157-104	1812	540	2/4	12	S157-904	830	498	1/4
5	S157-203	900	565	1/4	13	ZS2-529	500	140	1/4
6	S157-204	900	565	1/4	14	ZS2-530	500	140	1/4
7	S157-301	868	540	1/4	15	ZS2-5585	819	140	1/4
8	S157-401	868	70	1/4	16	dr-862	862	22	1/4



6x a44	6x b19	3x c333	7x φ7x50 mm e1	6x φ5x9 mm e19	12x φ6,3x13 mm e2	6x φ6x13 mm e3	26x φ8x30 mm f1	4x φ6,5x40 mm f25
6x M4x18 mm j59	4x M6/φ8x14 mm k39/2	4x M6/22mm k39/3	70x l1	2x n1	2x φ3,5x13 mm p1	2x φ3,5x16 mm p25	12x φ3,5x15 mm p51	18x φ1,5x12mm #16 r1
4x φ12x10,5mm #12 r15	22x r42	1x 483 mm t17	1x 500 mm w26/CL	1x 500 mm w26/CR	1x 500 mm w26/DL	1x 500 mm w26/DR	6x φ16 s2	1x z1
1x n26/1	1x φ3,5x16 mm p38							



3



4

