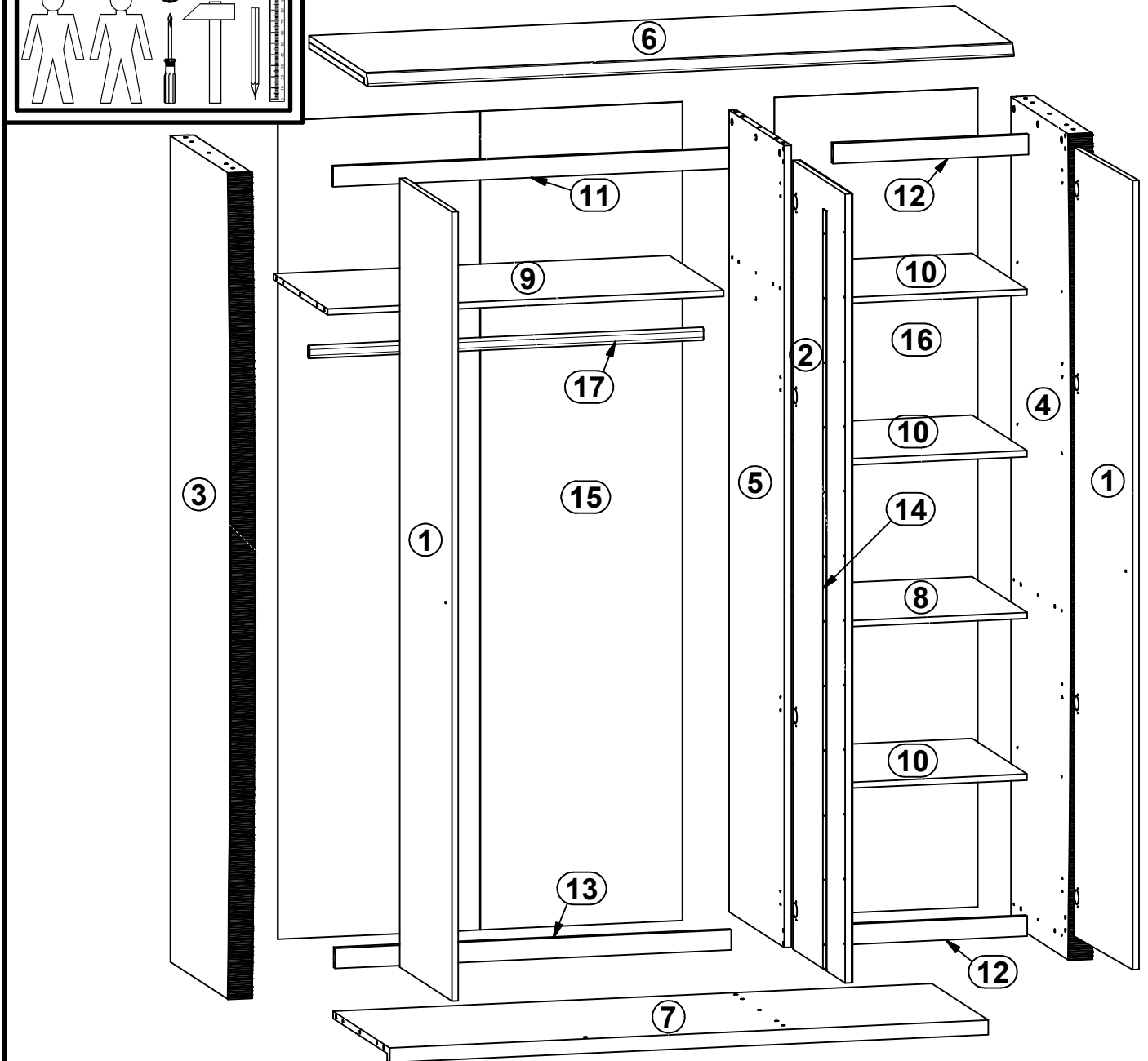
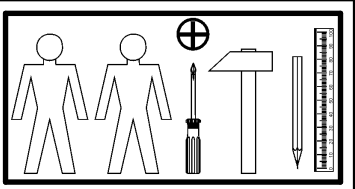


SENEGAL

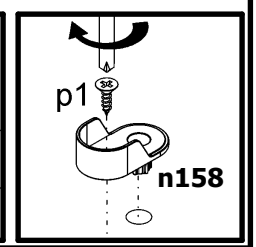
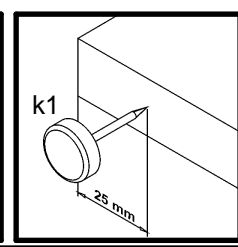
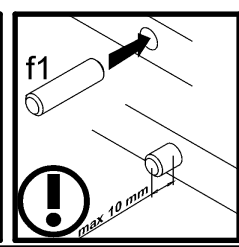
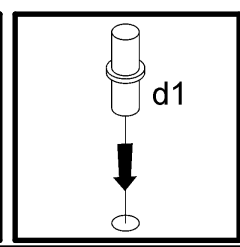
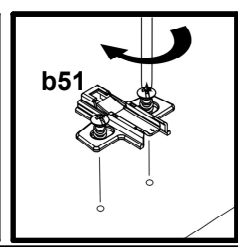
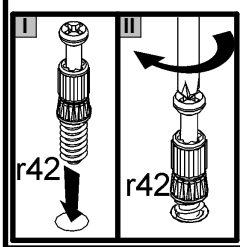
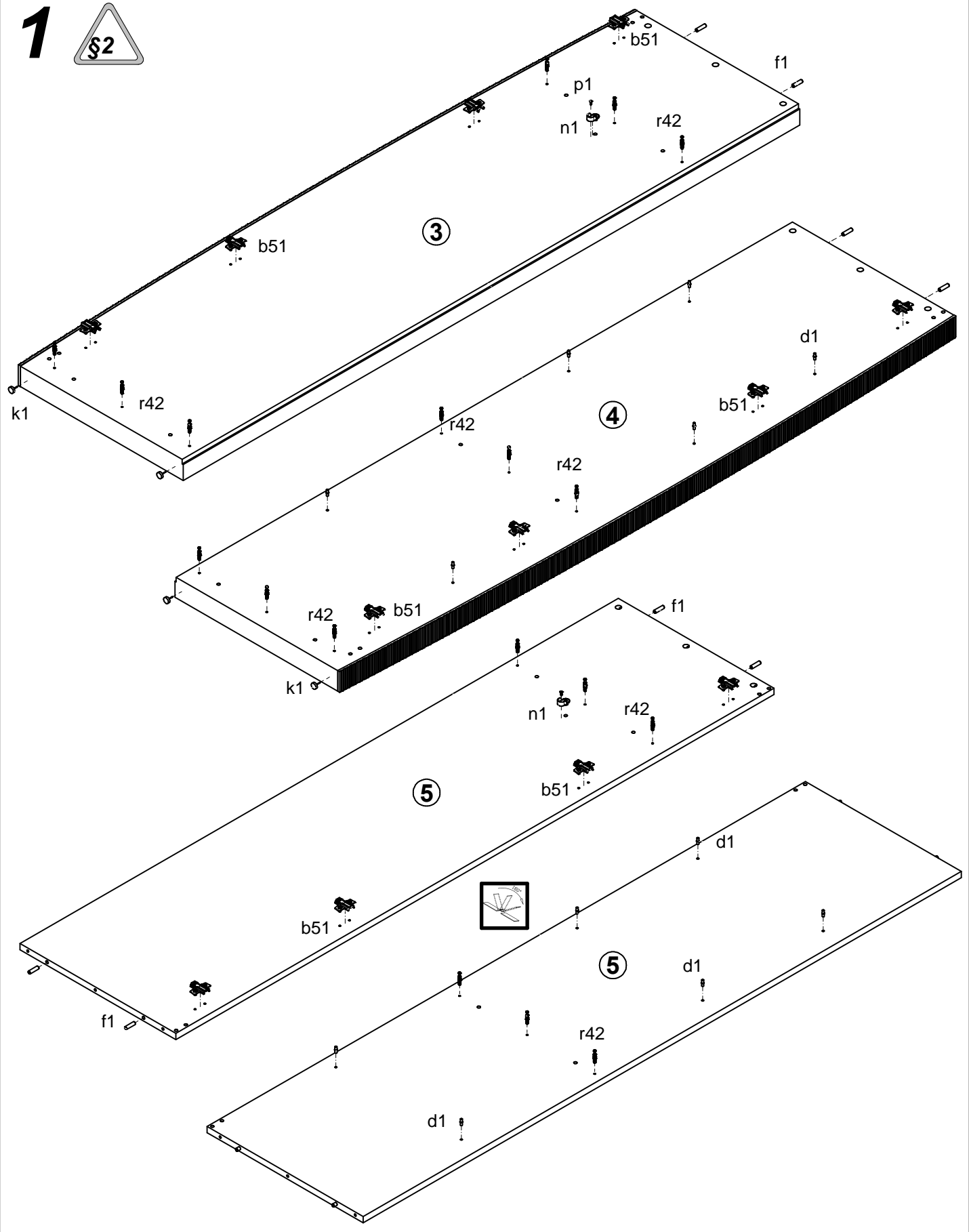
S175-A/SZF3D

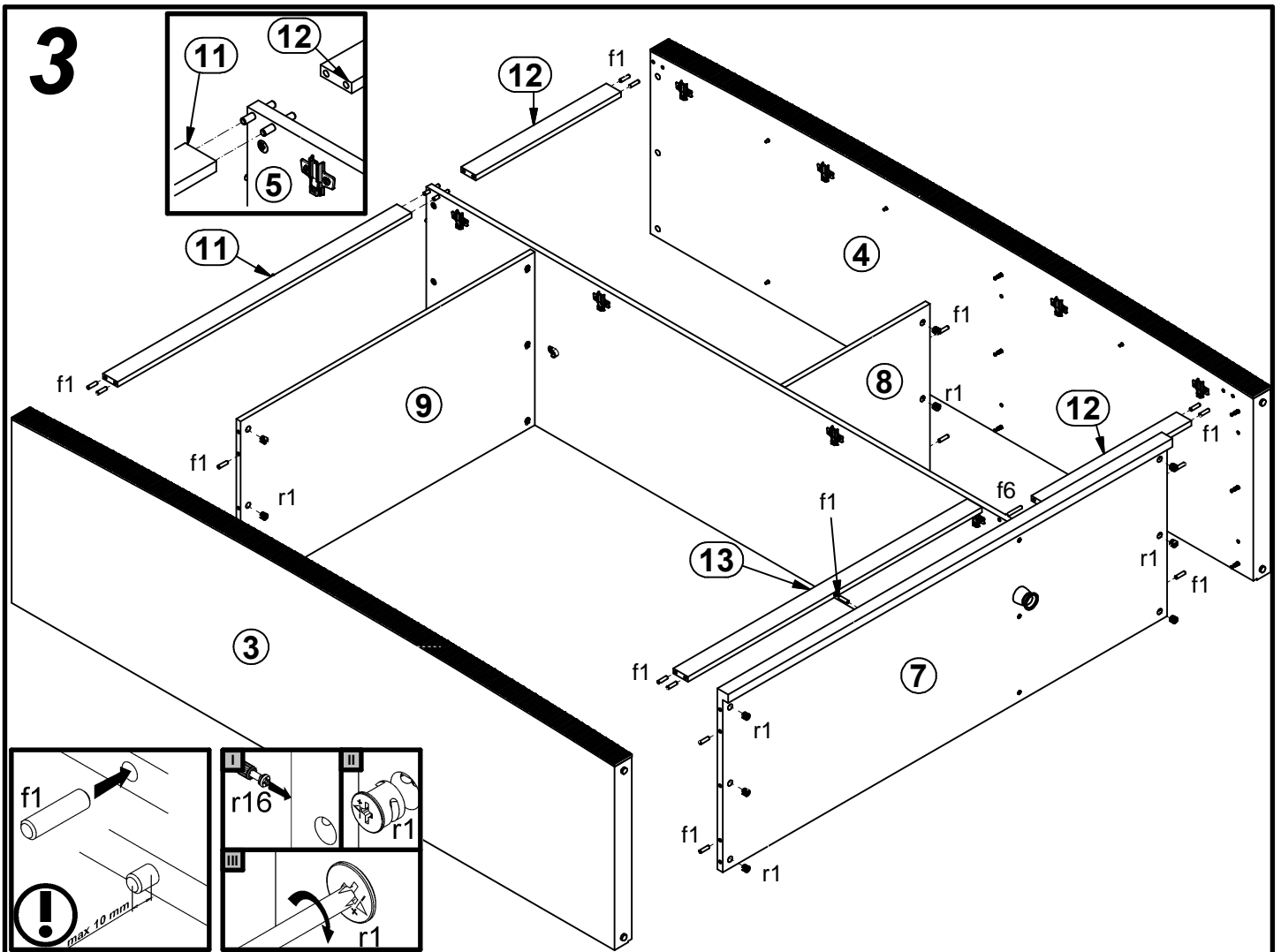
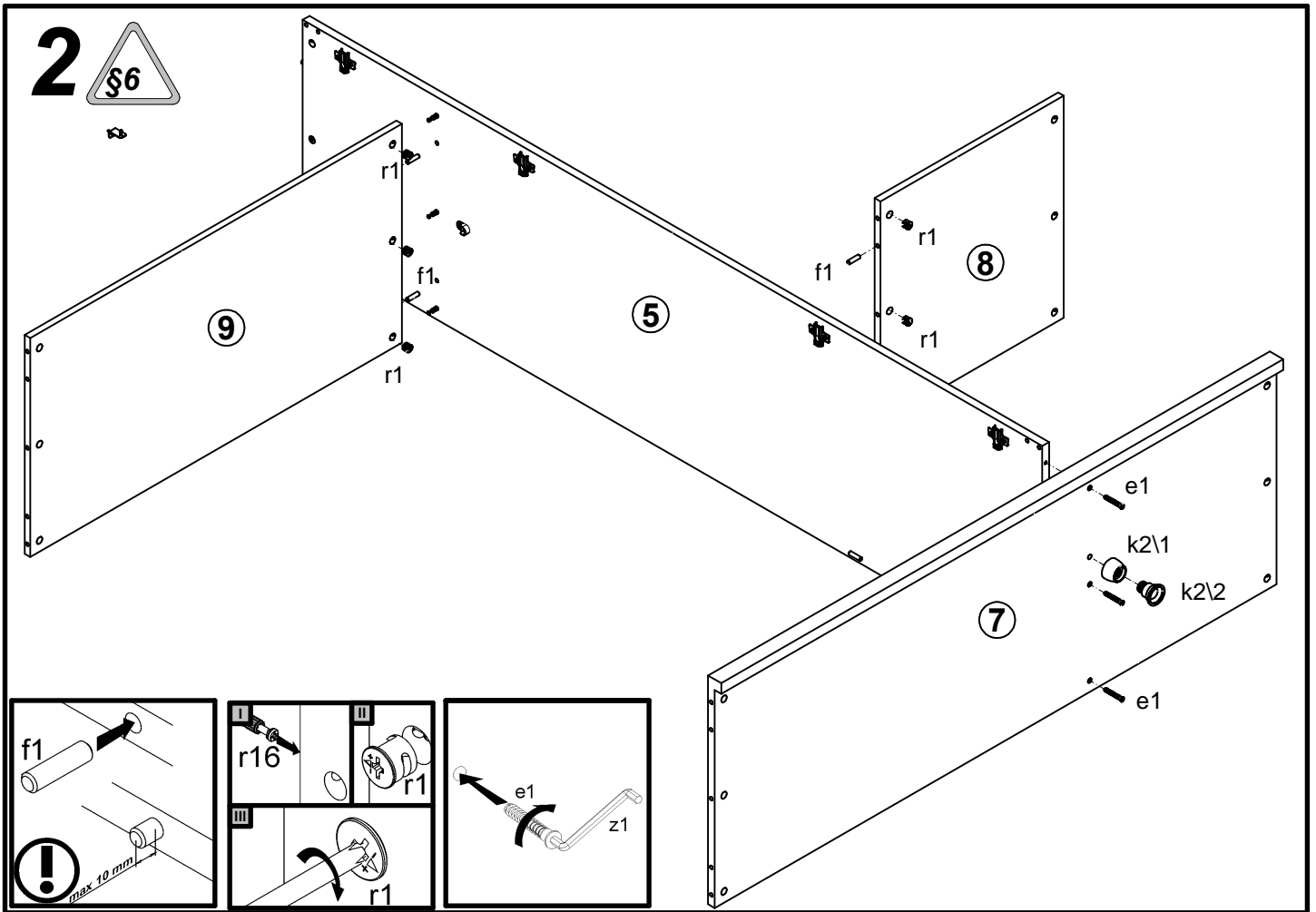
A	B	C	D	A	B	C	D		
1	S175-015	1952	491	5/5	10	S175-323	491	516	3/5
2	S175-016	1952	491	5/5	11	S175-414	997	50	2/5
3	S175-131	2044	573	1/5	12	S175-415	492	50	2/5
4	S175-132	2044	573	1/5	13	S175-424	997	50	2/5
5	S175-133	1984	517	2/5	14	S175-503	1878	29	1/5
6	S175-210	1627	553	2/5	15	S175-920	2026	1019	1/5
7	S175-320	1507	532	2/5	16	S175-921	2026	512	1/5
8	S175-321	492	517	3/5	17	dr-992	992	30	2/5
9	S175-322	997	509	3/5					

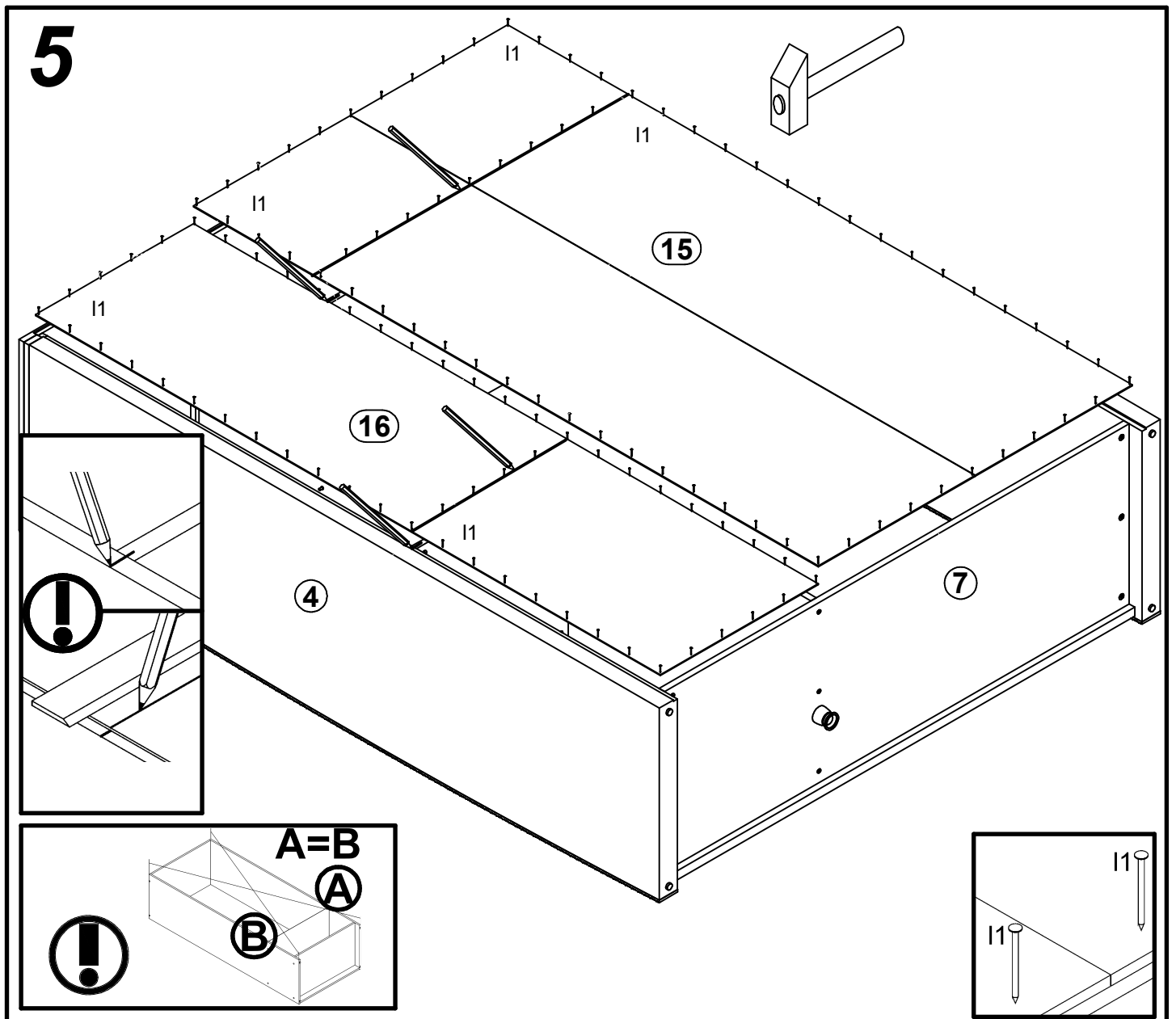
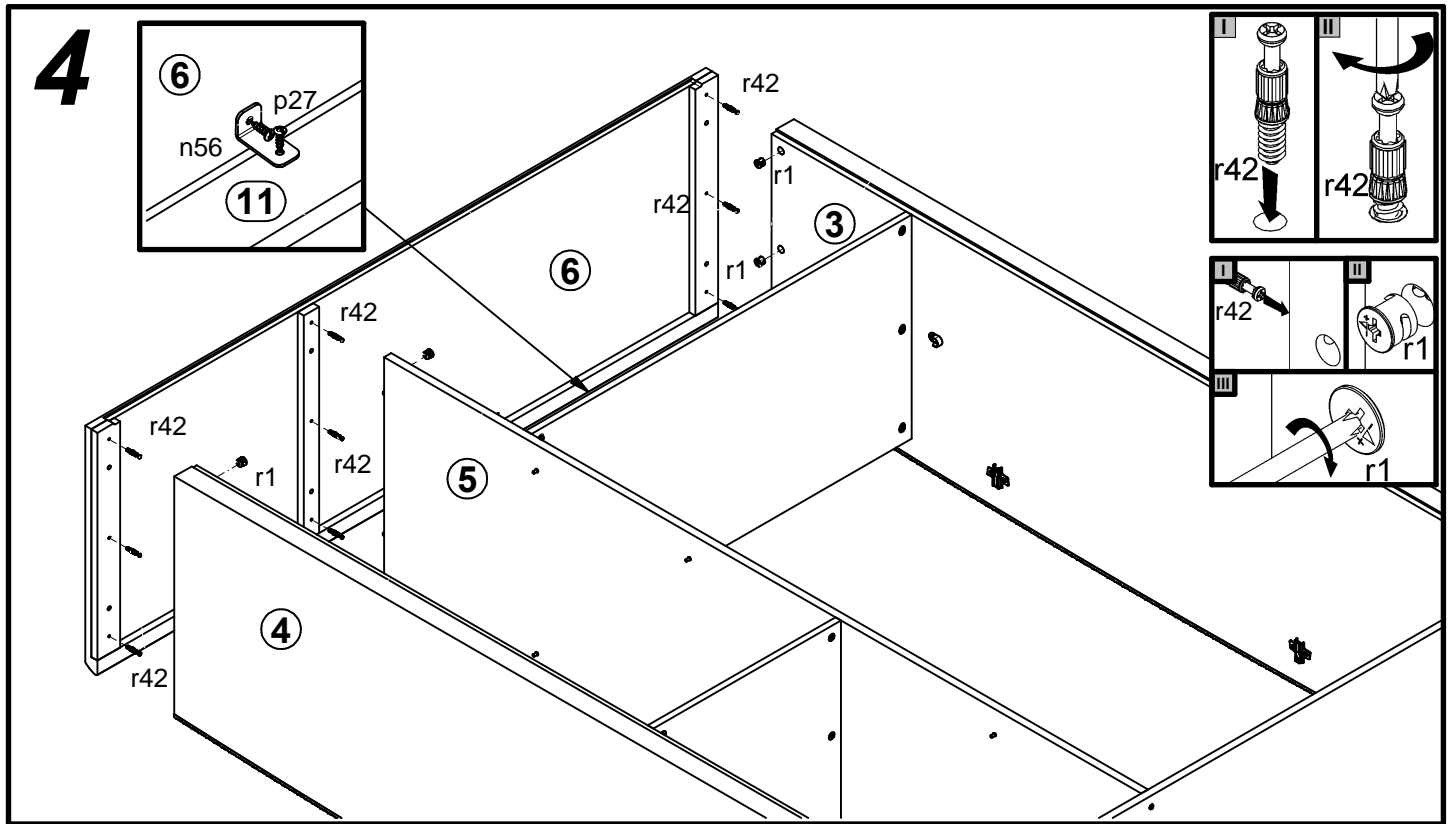


8x a108	4x a109	12x b51	2x c295/1	2x c295/2	12x d1 φ5x17 mm	3x e1 φ7x50 mm	24x e2 φ6,3x13 mm	29x f1 φ8x30 mm
4x f6 Ø8x50 mm	2x j60 M4x22 mm	4x k1	1x k2/1	1x k2/2	130x l1	2x n158	2x p1 φ3,5x13 mm	13x p38 φ3,5x16 mm
24x p51 φ3,5x15 mm	27x r1 φ1,5x12mm #16	27x r42	1x z1	1x n26/1	1x n56 32x16x15/1 mm	2x p27 Ø3,5x13 mm	6x s51 Ø15	9x s2 Ø16

1







6

