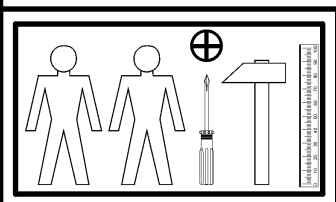
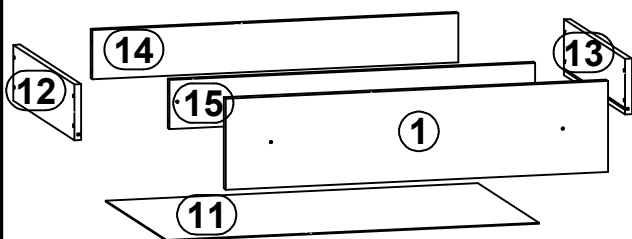
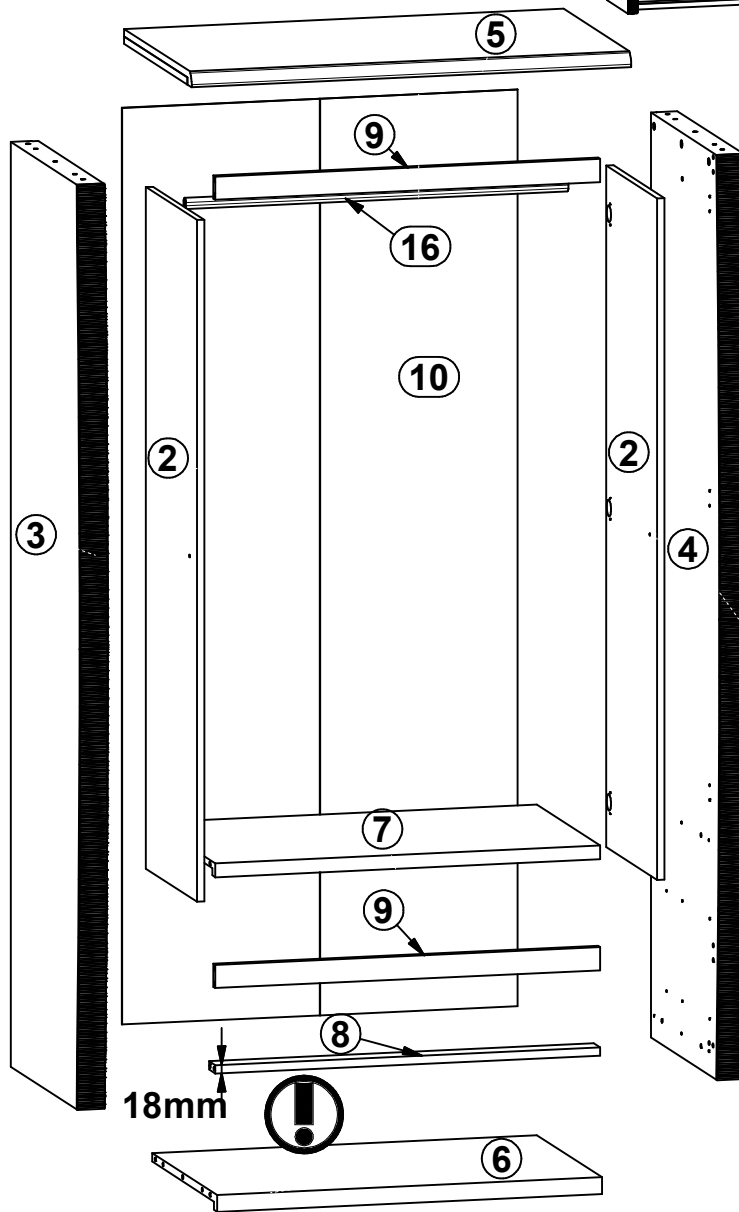
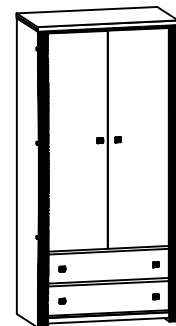


# SENEGAL

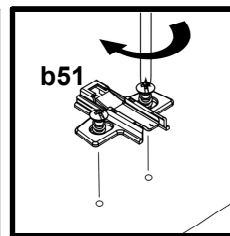
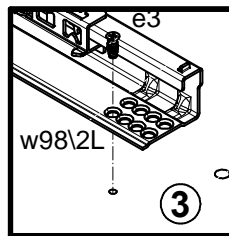
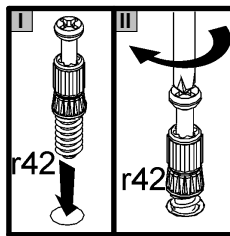
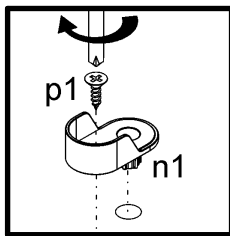
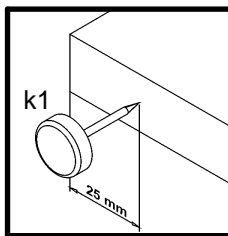
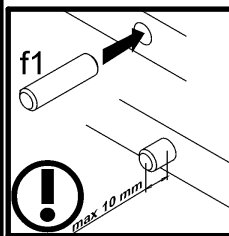
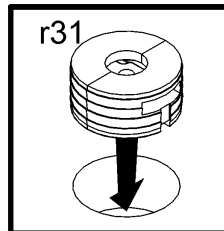
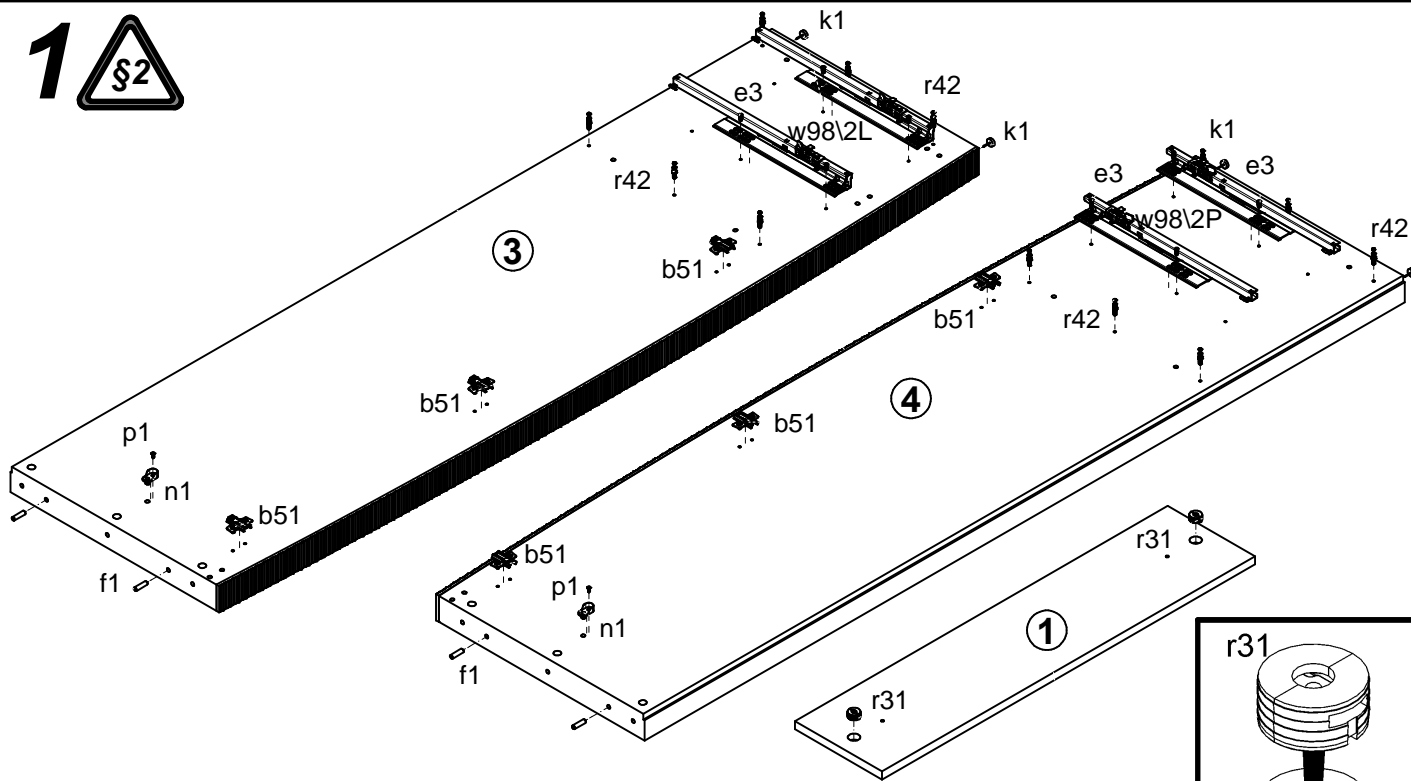
# S175-A/SZF2D2S

A	B	C	D	A	B	C	D		
1	S175-002	838	196	4/4	10	S175-903	1974	867	1/4
2	S175-003	1468	417	4/4	11	S175-904	817	498	2/4
3	S175-103	1992	573	1/4	12	ZT2-505	500	120	3/4
4	S175-104	1992	573	1/4	13	ZT2-506	500	120	3/4
5	S175-202	964	553	2/4	14	ZT2-507	802	106	3/4
6	S175-302	844	532	2/4	15	ZT2-508	802	106	3/4
7	S175-303	844	517	2/4	16	dr-839	839	22	2/4
8	S175-401	844	50	2/4					
9	S175-408	844	50	2/4					

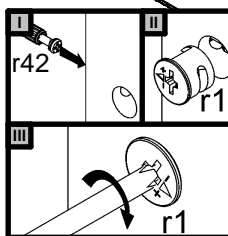
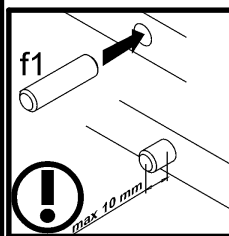
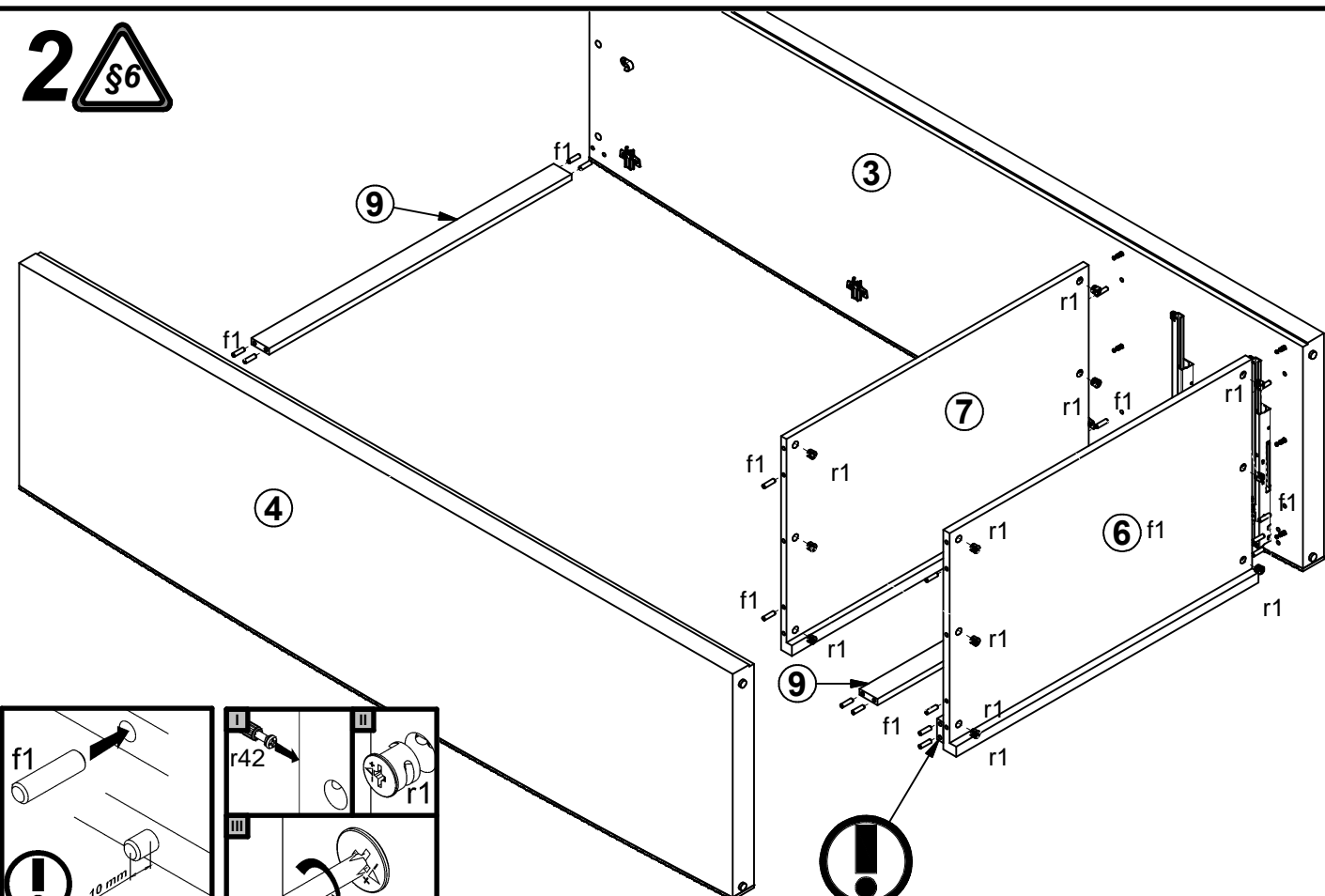


6x  a108	6x  b51	6x  c295/1	6x  c295/2	6x  s51	1x  p38 Ø3.5x16 mm	8x  e3 Ø6x13 mm	16x  e32 Ø5x50 mm	24x  f1 Ø8x30 mm
6x  j60 M4x22 mm	4x  j8 M4x25 mm	4x  k1	70x  l1	2x  n1	2x  p1 Ø3.5x13 mm	2x  p25 Ø3.5x16 mm	2x  p35 Ø3.5x10 mm	24x  p38 Ø3.5x16 mm
12x  p51 Ø3.5x15 mm	18x  r1 Ø15x12 mm #16	4x  r31 Ø21x10 mm	18x  r42	2x  t34 500 mm	2x  w98/2L 510 mm	2x  w98/2P 510 mm	1x  n26/1	

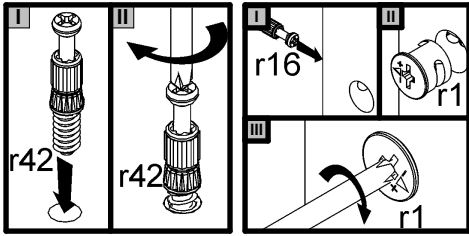
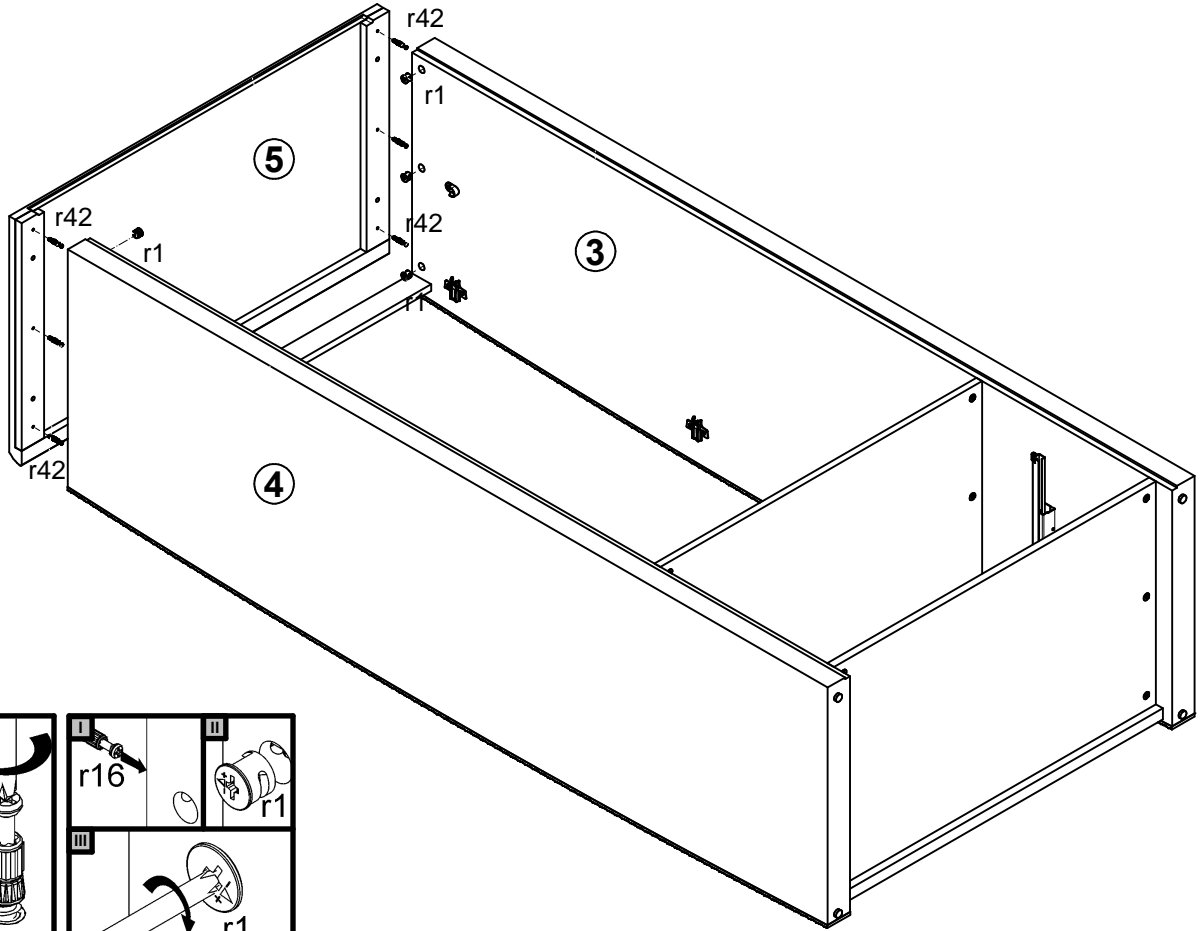
# 1



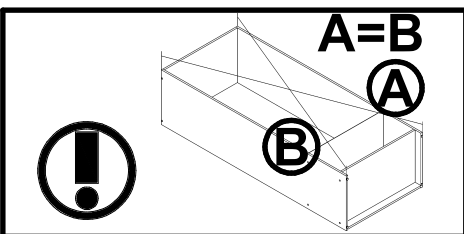
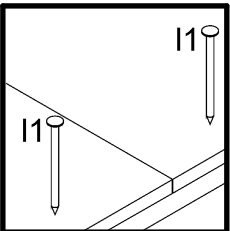
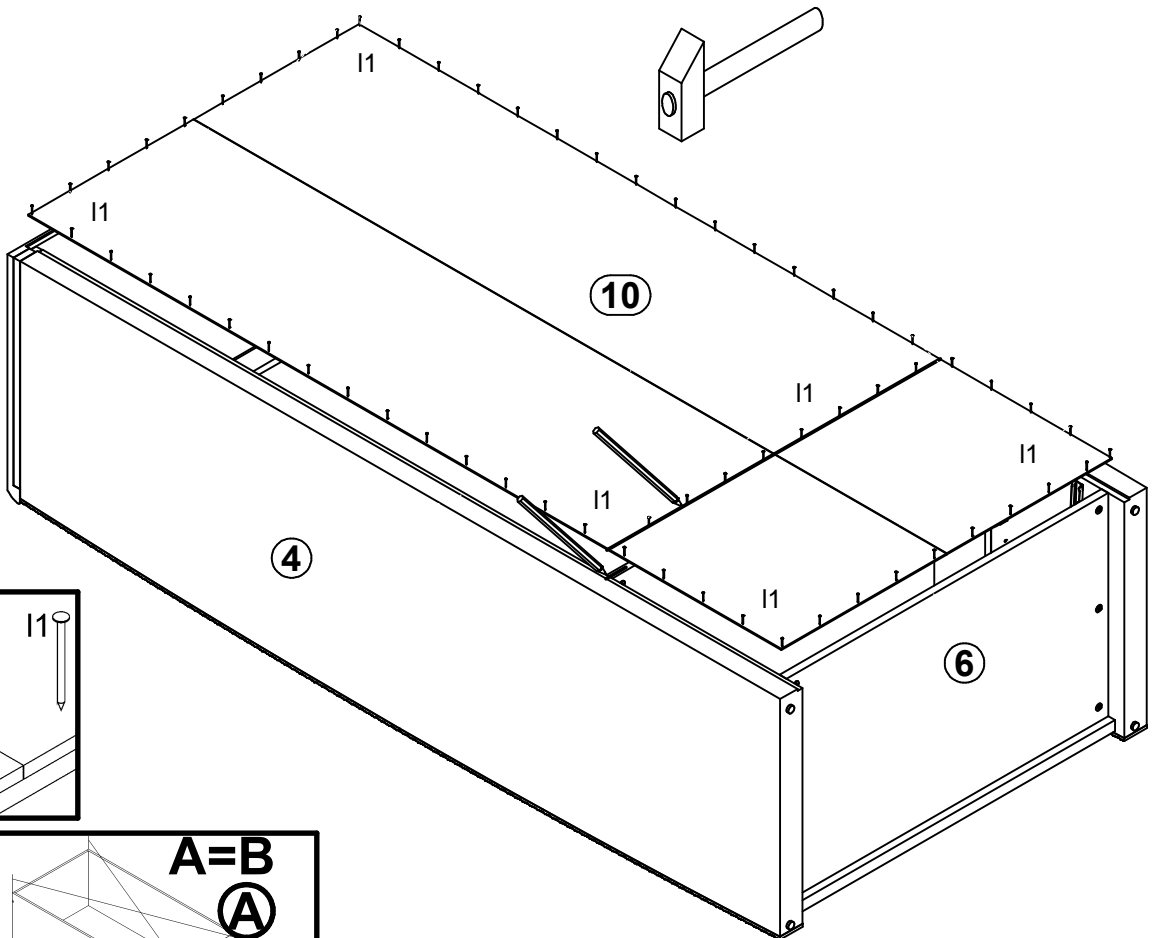
# 2



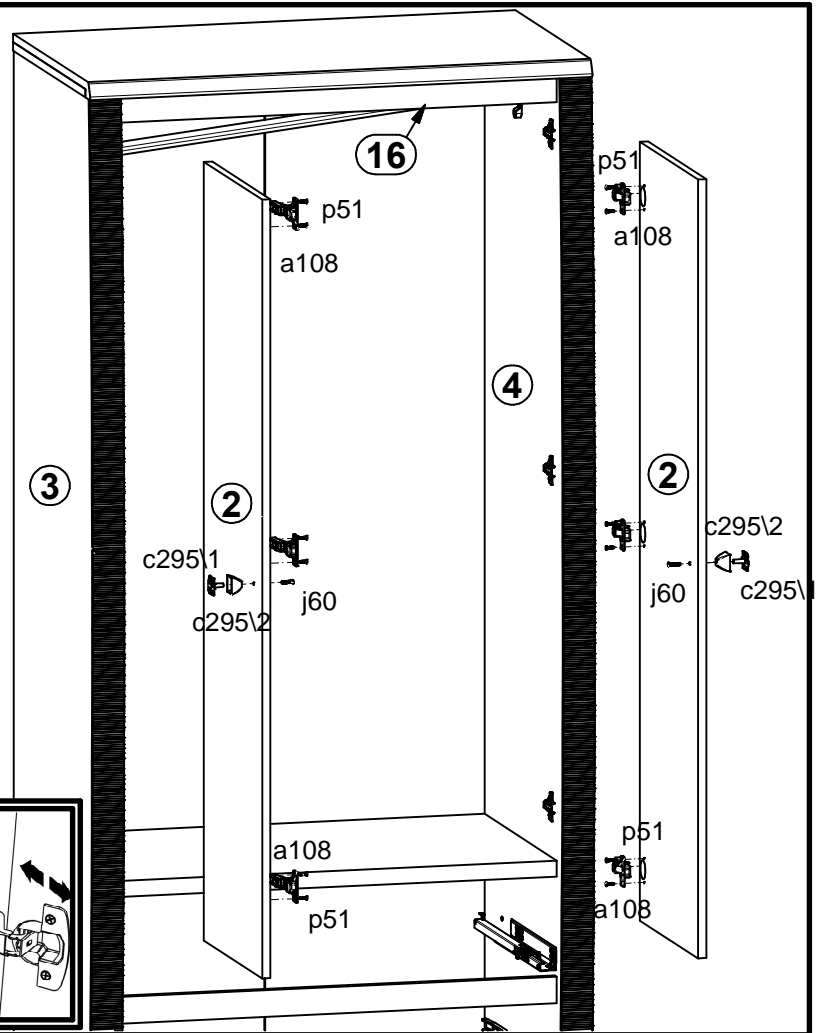
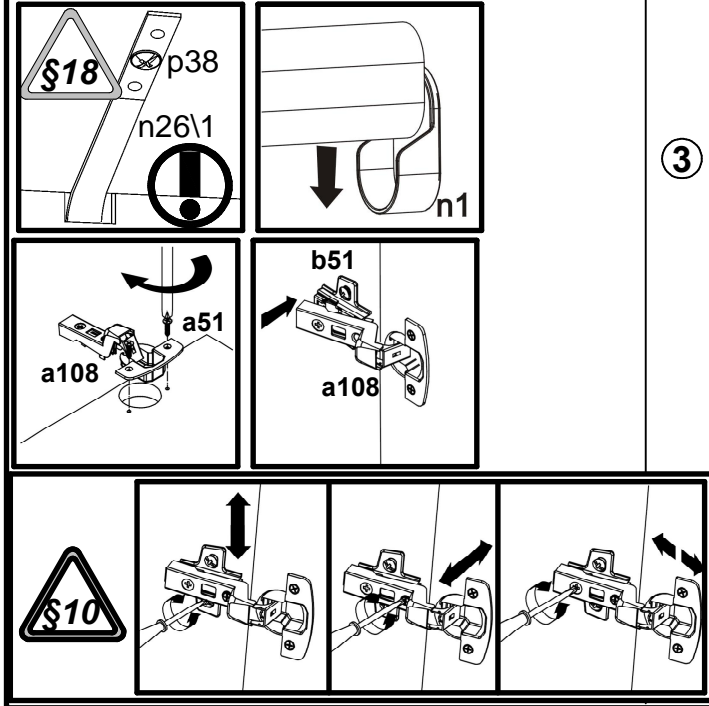
# 3



# 4



# 5



# 6

