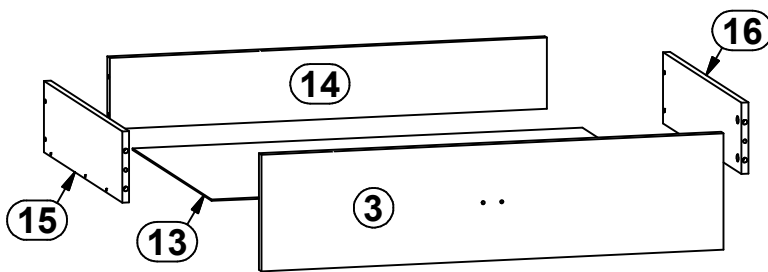
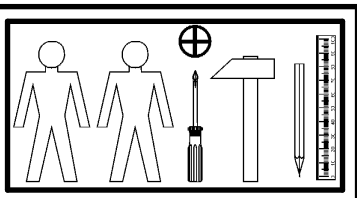
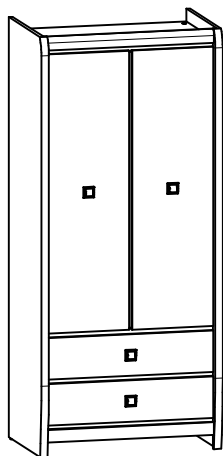
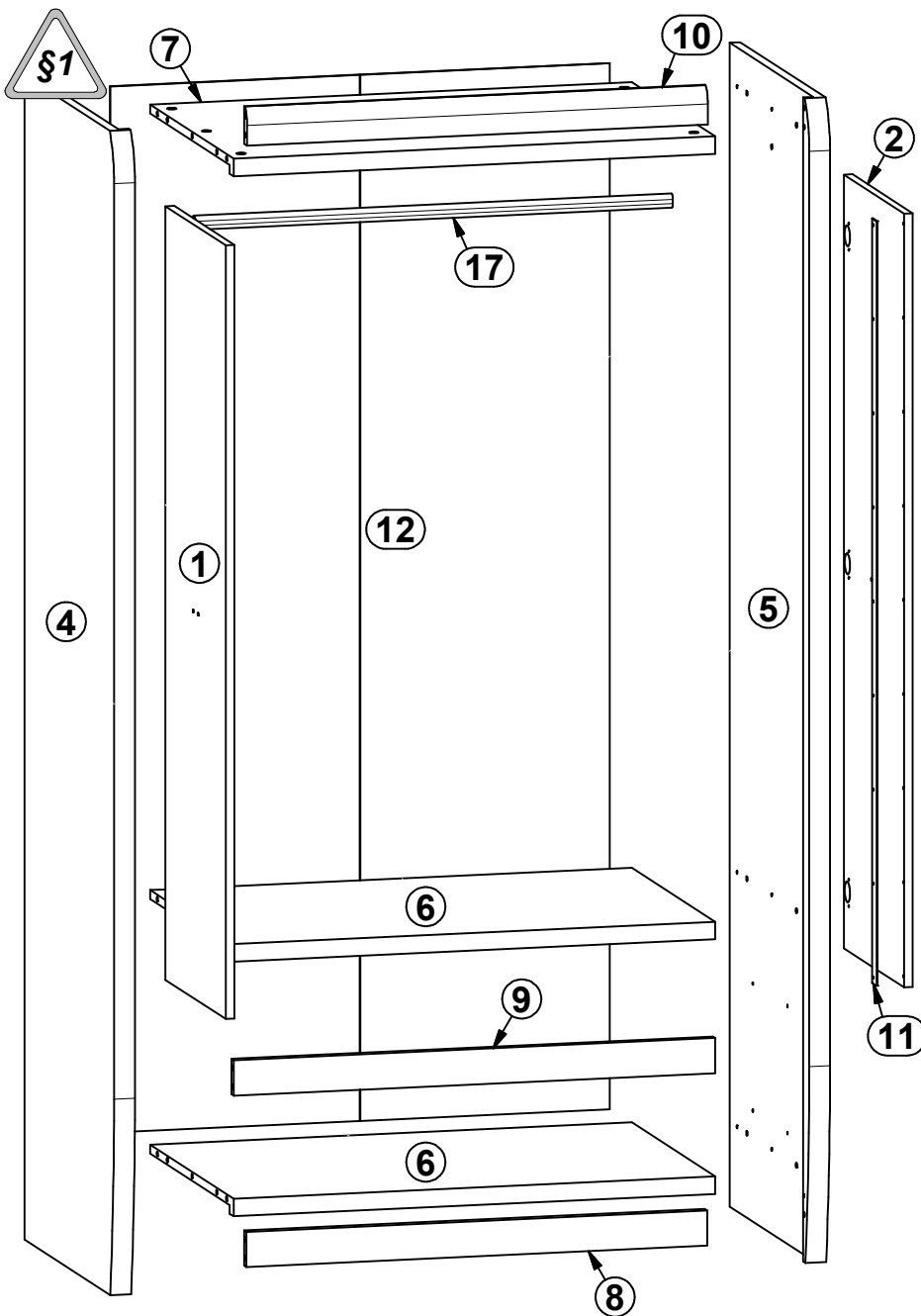


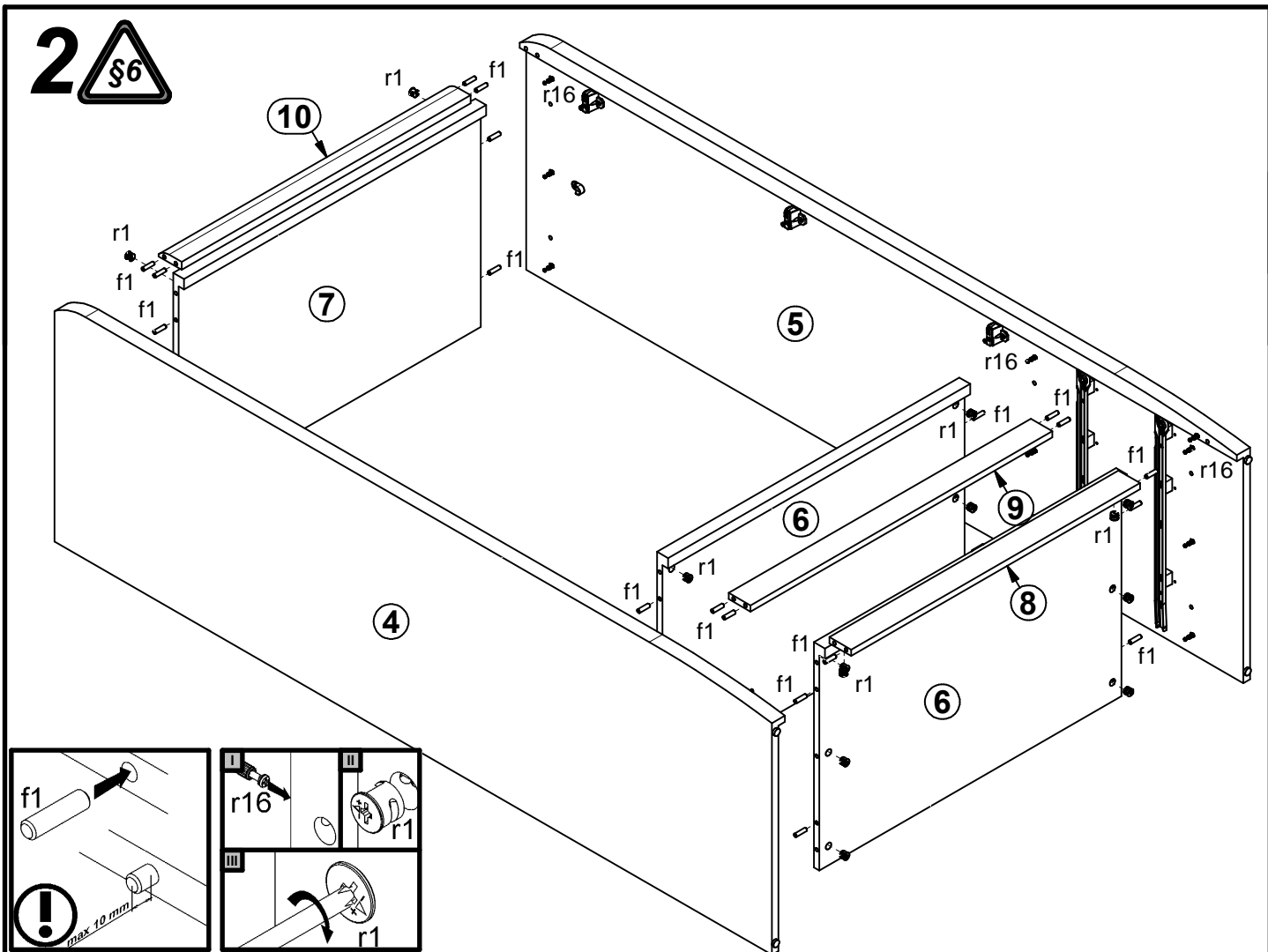
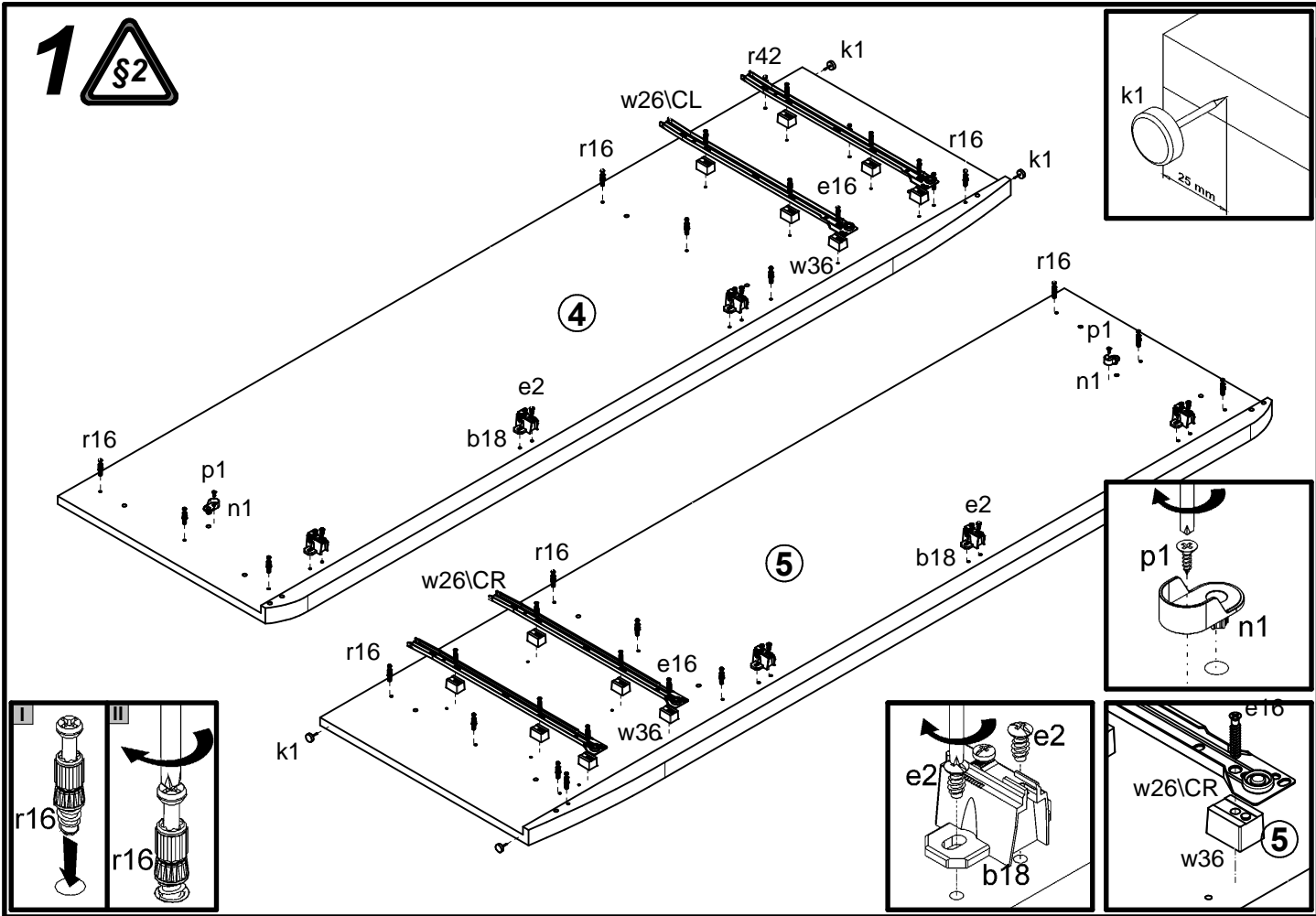
LOREN

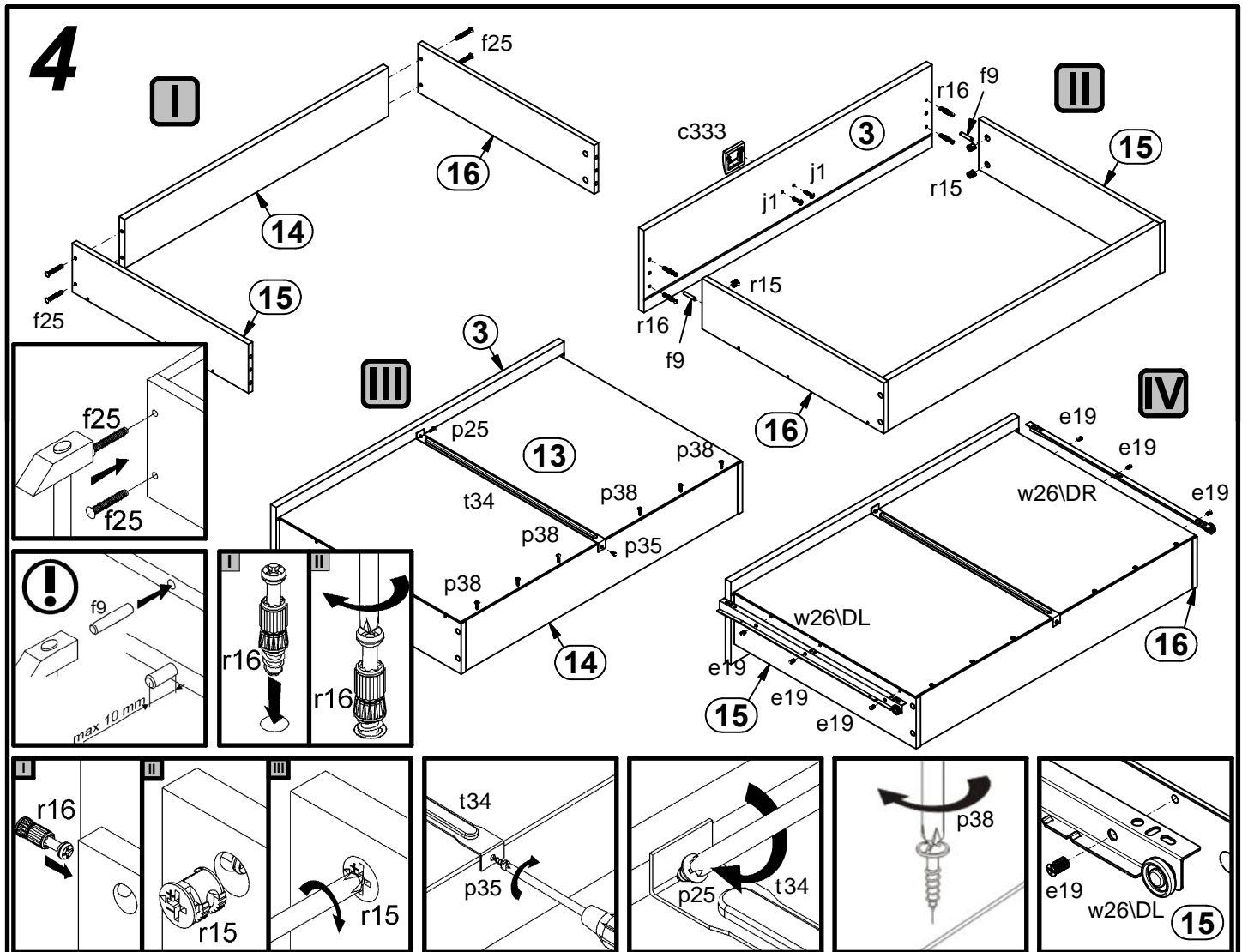
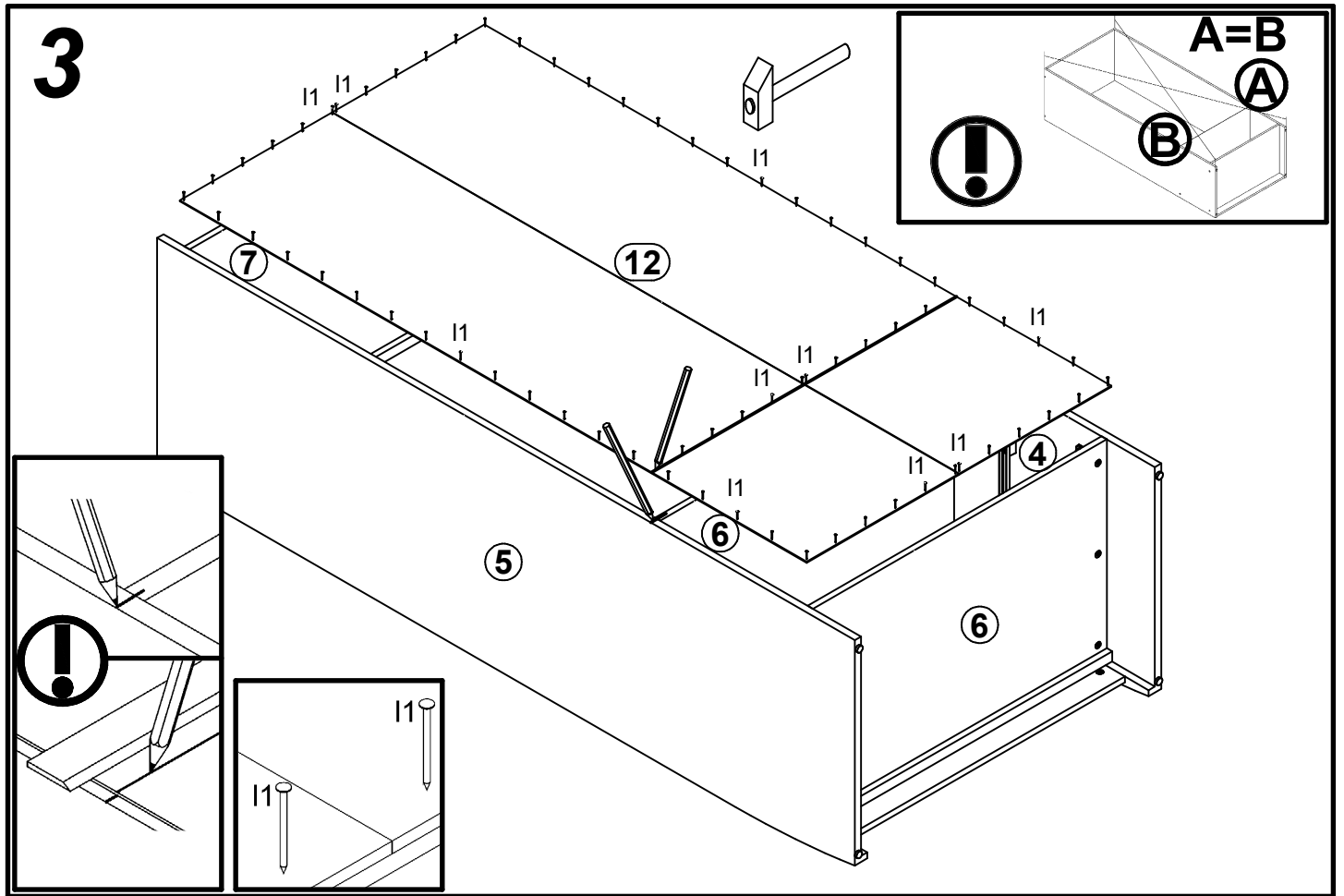
S163-SZF2D2S

A	B	C	D
1	S163-007	1316	389
2	S163-008	1316	389
3	S163-009	792	196
4	S163-101	1980	580
5	S163-102	1980	580
6	S163-308	834	539
7	S163-335	834	539
8	S163-403	798	60
9	S163-409	834	60
10	S163-506	798	64
11	S163-507	1300	29
12	S163-908	1779	865
13	S163-909	771	505
14	ZS3-5516	749	120
15	ZS4-505	500	120
16	ZS4-506	500	120
17	dr-827	827	22



6x a43	6x b18	4x c333	12x Ø6x30 mm e16	12x Ø5x9 mm e19	12x Ø6.3x13 mm e2	22x Ø8x30 mm f1	4x Ø6x30 mm f9	8x Ø6.5x40 mm f25
8x M4x20 mm j1	4x k1	60x l1	2x n1	2x Ø3.5x13 mm p1	2x Ø3.5x16 mm p25	2x Ø3.5x10 mm p35	21x Ø3.5x16 mm p38	12x Ø3.5x15 mm p51
20x Ø15x12 mm #16 r1	8x Ø12x10.5 mm #12 r15	28x r16	2x 500 mm t34	2x 500 mm w26\CL	2x 500 mm w26\CR	2x 500 mm w26\DL	2x 500 mm w26\DR	12x H=18 mm w36
1x n26\1	1x Ø3.5x16 mm p38							





5

