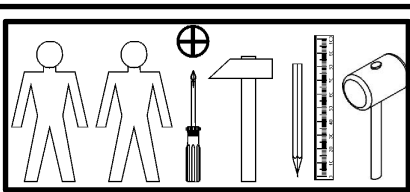
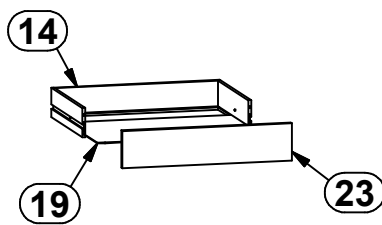
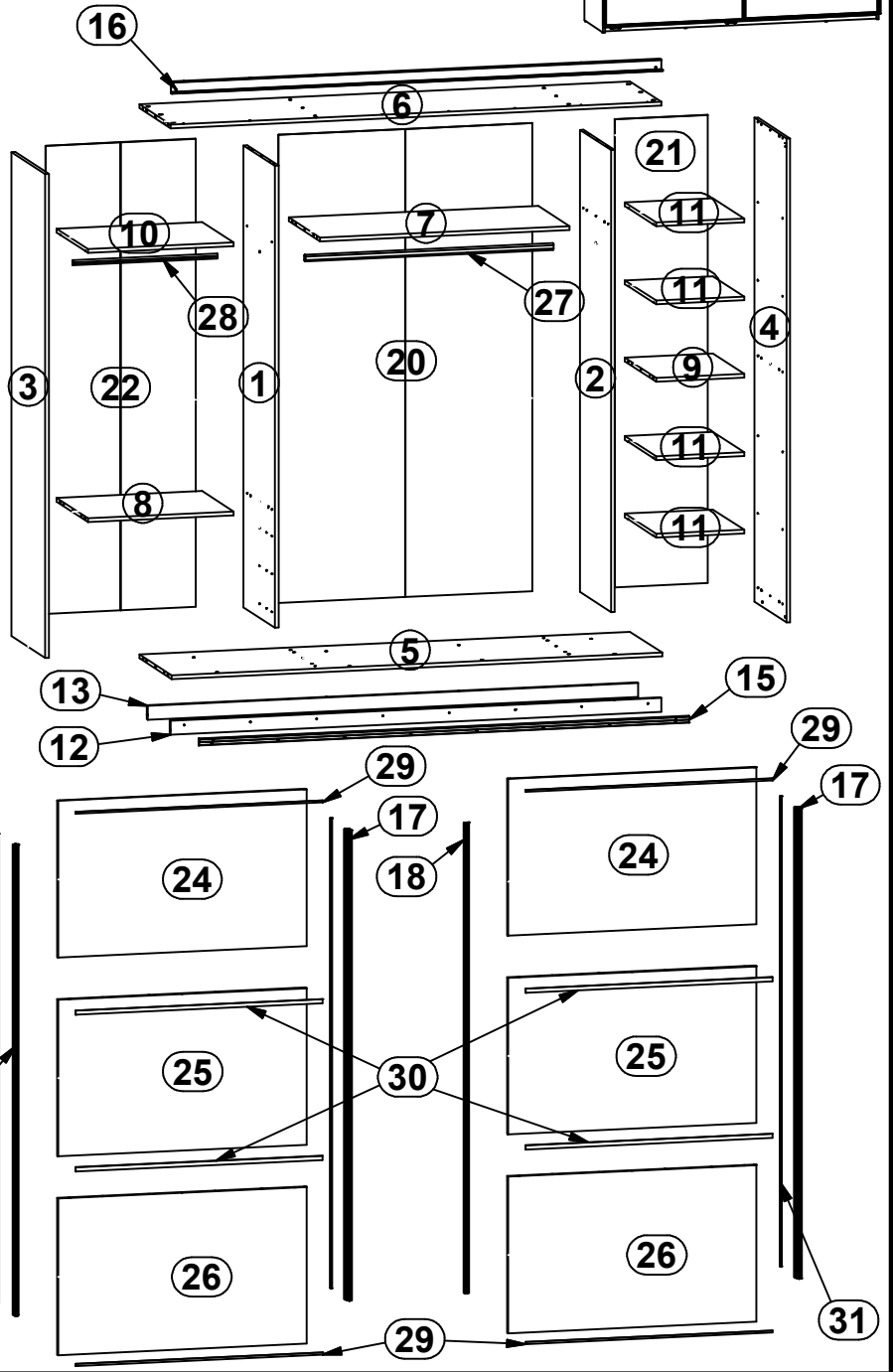
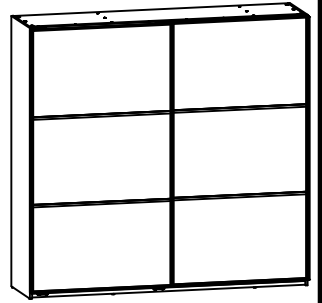
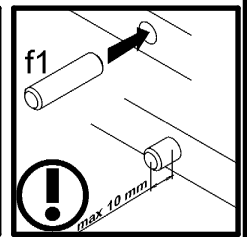
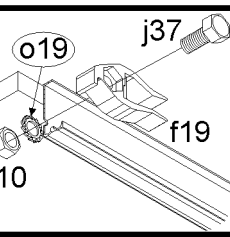
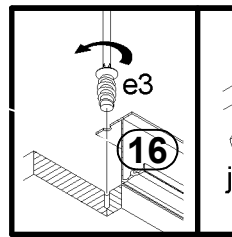
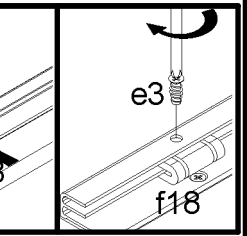
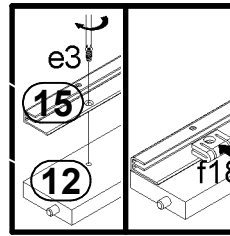
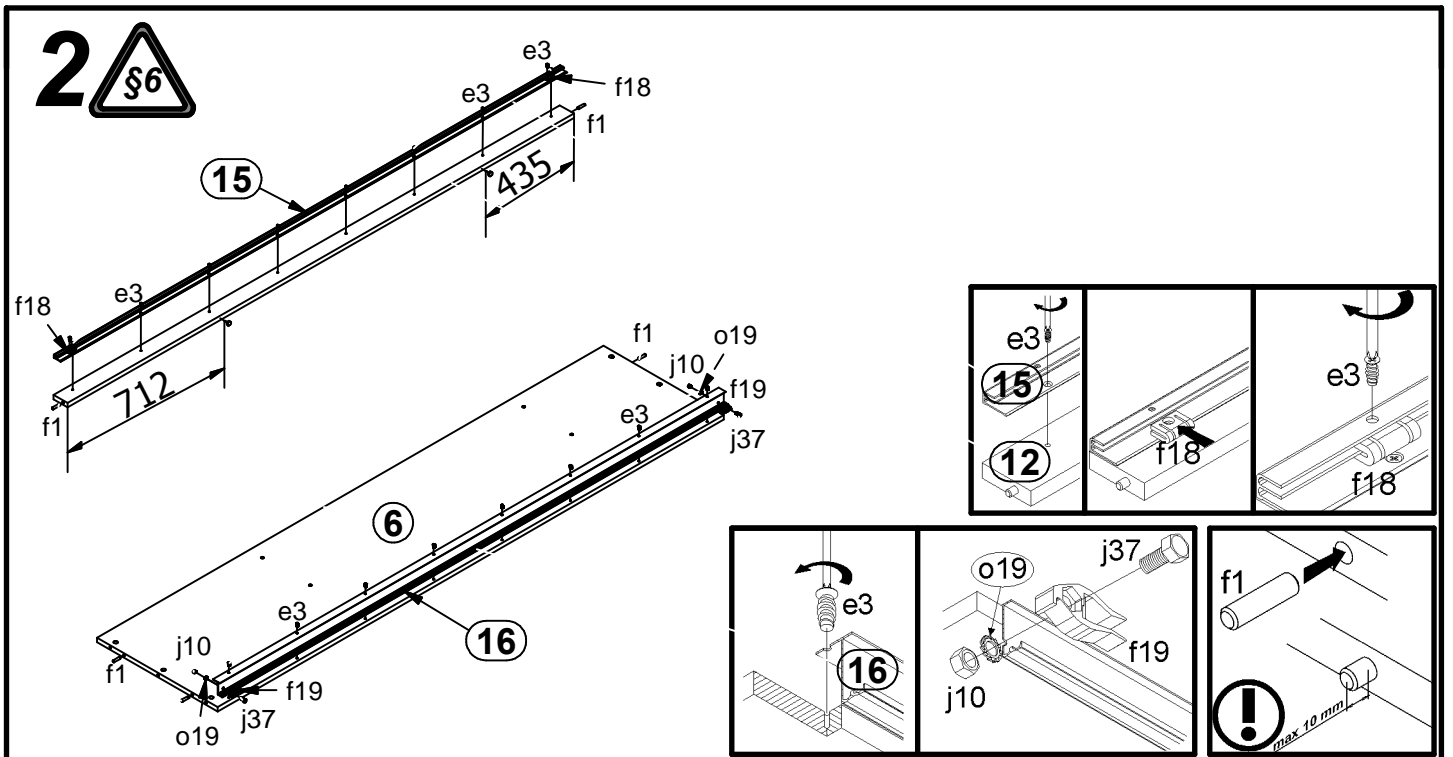
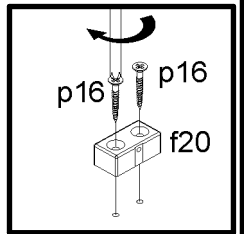
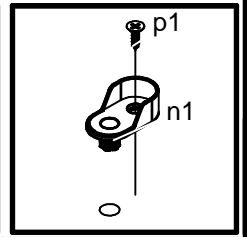
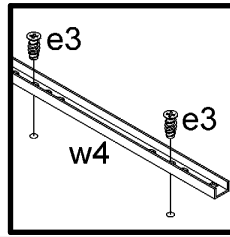
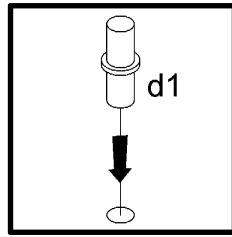
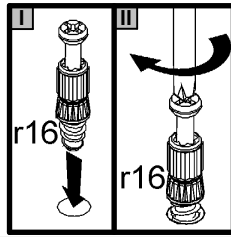
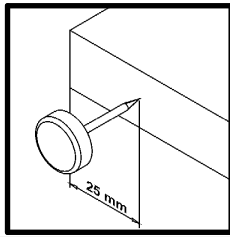
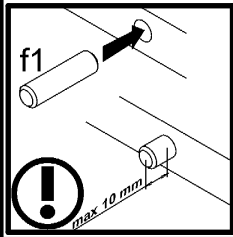
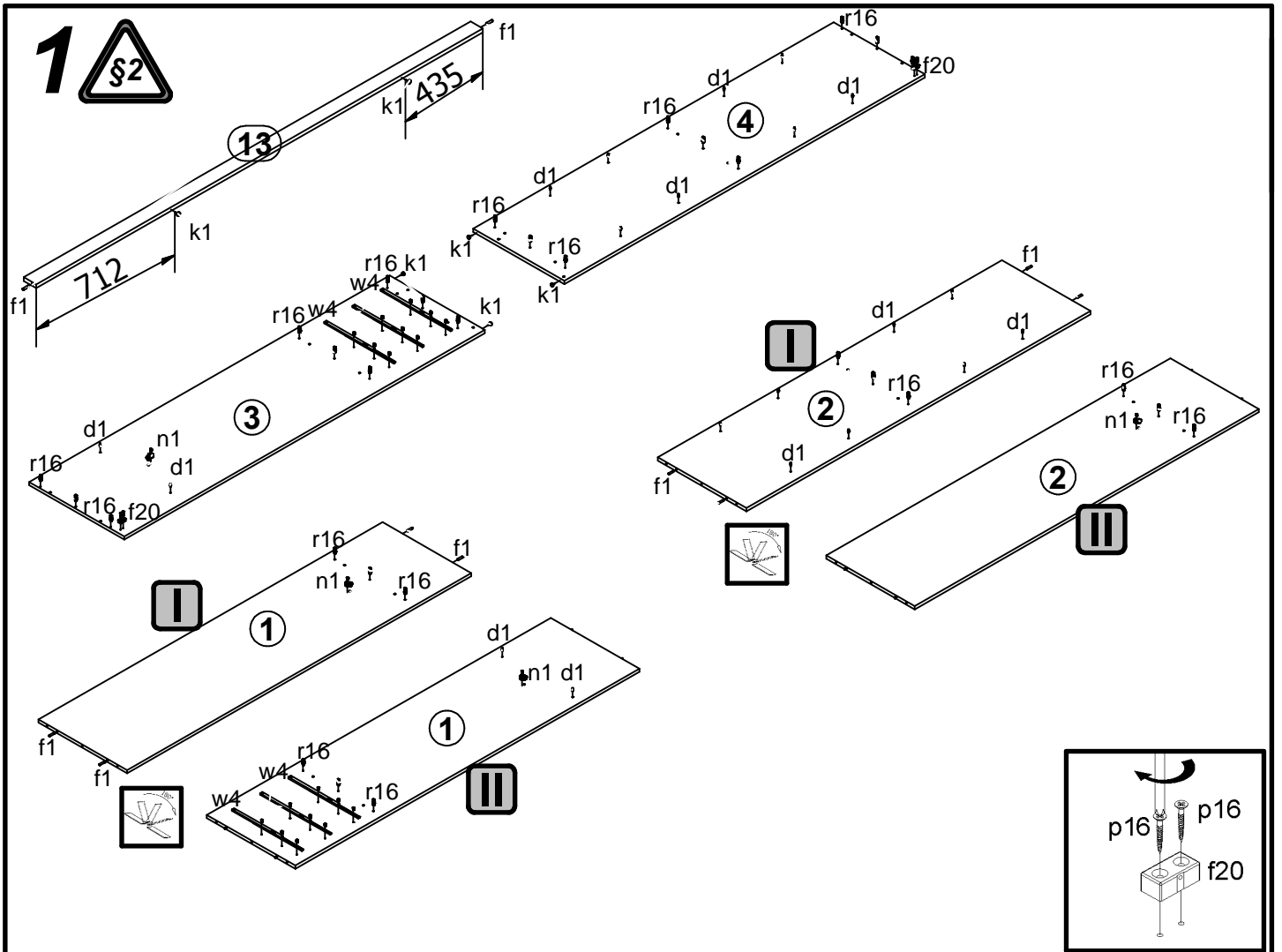


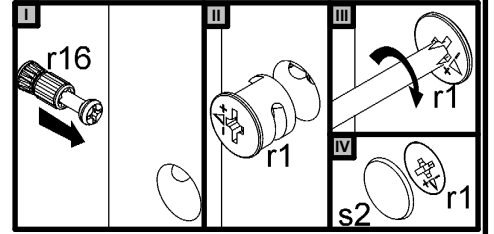
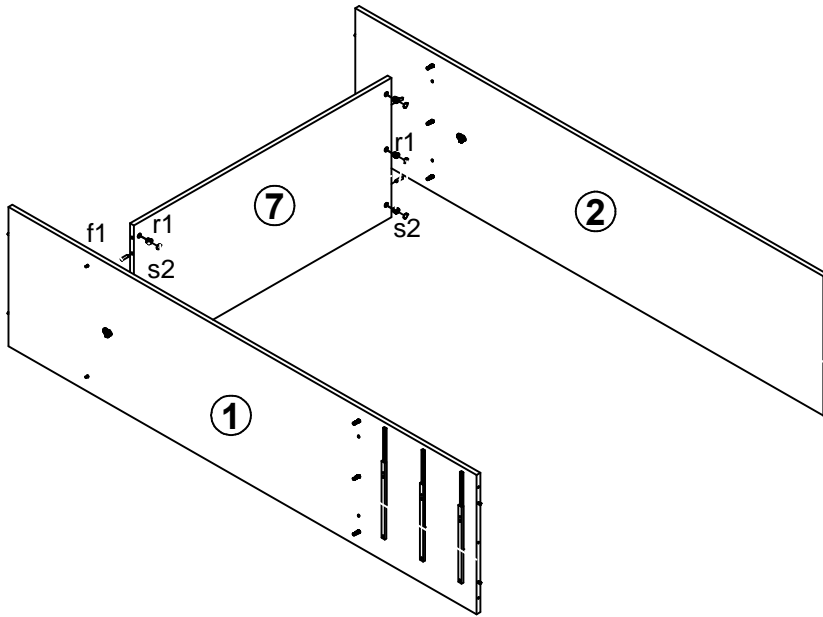
A	B	C	D	
1	S23-1101	2191	564	2/9
2	S23-1102	2191	564	2/9
3	S23-173	2295	606	1/9
4	S23-174	2295	580	1/9
5	S23-350	2370	580	3/9
6	S23-351	2370	564	3/9
7	S23-352	1206	564	2/9
8	S23-353	703	564	2/9
9	S23-354	425	564	4/9
10	S23-355	703	564	5/9
11	S23-356	425	564	4/9
12	S23-461	2370	66	3/9
13	S23-462	2370	66	3/9
14	S23-537	1655	120	3/9
15	S23-589	2368	32	6/9
16	S23-590	2368	51,5	6/9
17	S23-591	2230	40,5	6/9
18	S23-592	2230	24,5	6/9
19	S23-957-01	682	480	5/9
20	S23-958	2220	1225	1/9
21	S23-959	2220	448	1/9
22	S23-960	2220	725	1/9
23	S68-024	697	150	5/9
24	S68-025	1200	743	7/9
25	S68-026	1200	743	8/9
26	S68-027	1200	743	9/9
27	dr-1199	1199	24	3/9
28	dr-697	697	24	3/9
29	ls\10-1192	1192		6/9
30	ls\20-1192	1192		6/9
31	sp-2230A	2230		3/9



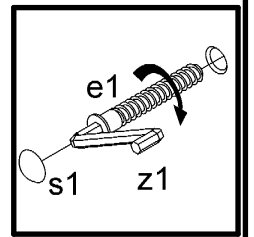
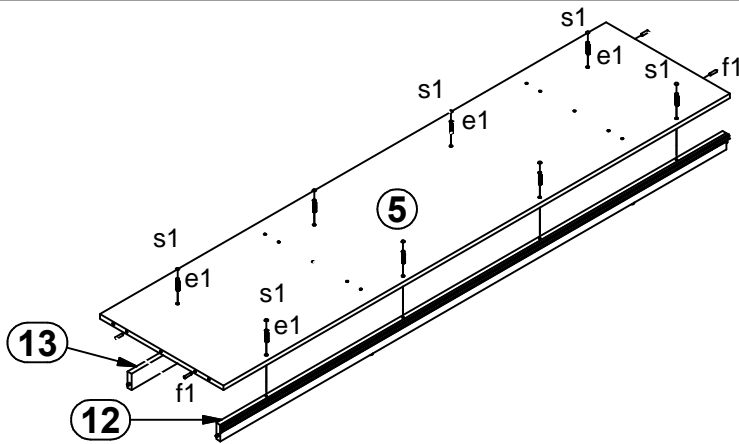
20x φ5x17 mm d1	20x φ7x50 mm e1	36x φ6x13 mm e3	24x φ6,3x13 mm e5	50x φ8x30 mm f1	16x φ8x50 mm f6	2x f18	2x f19	2x f20	6x M4x9 mm j2	2x M6 j10	4x M5x5 mm j34						
2x M6x16 mm j37	8x k1	155 l1	4x n1	2x n42 ³	1x n43 ¹	1x n44 ¹	2x n45	2x n46 ¹	2x n46 ²	2x φ6,3 mm o19	1x φ15x16 mm o20	4x φ3,5x13 mm p1	4x φ3,5x25 mm p16	3x φ3,5x16 mm p25	3x φ3,5x10 mm p35	54x φ1,5x12mm #16 r1	12x r10
30x r16	8x s1	36x φ16 s2	3x 480 mm t3	6x 310 mm w4	1x GLUE y1	1x z1	2x n26/1	2x φ3,5x16 mm p38									



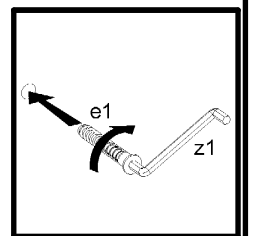
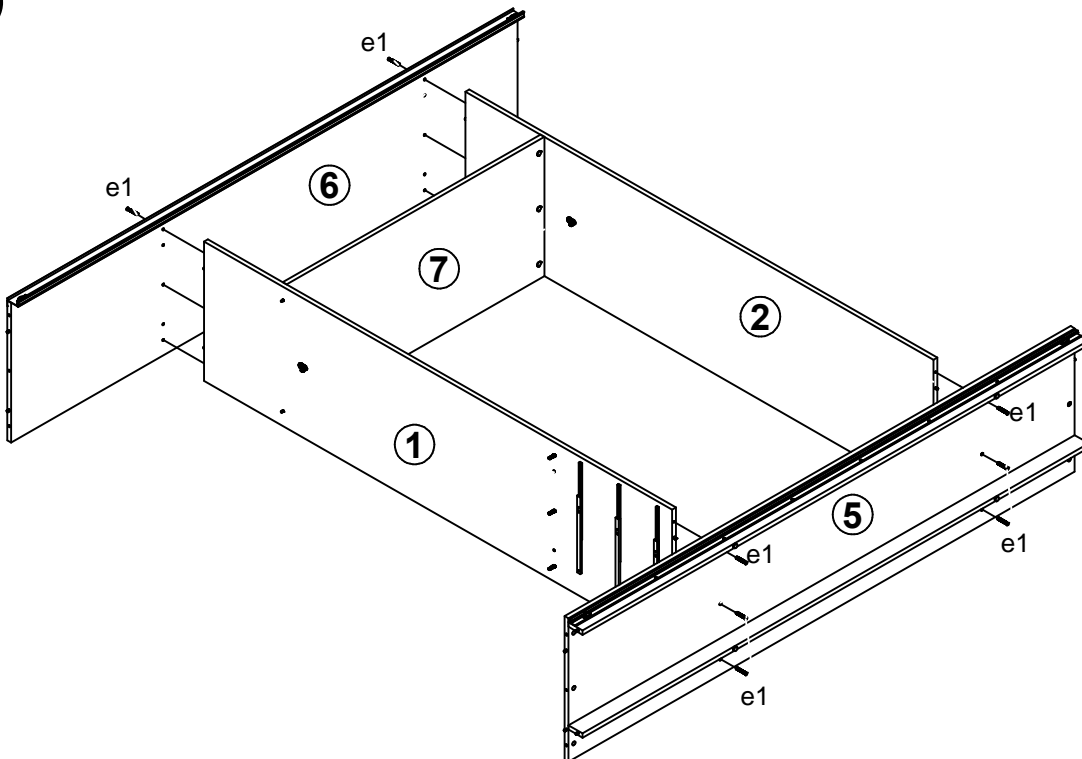
3



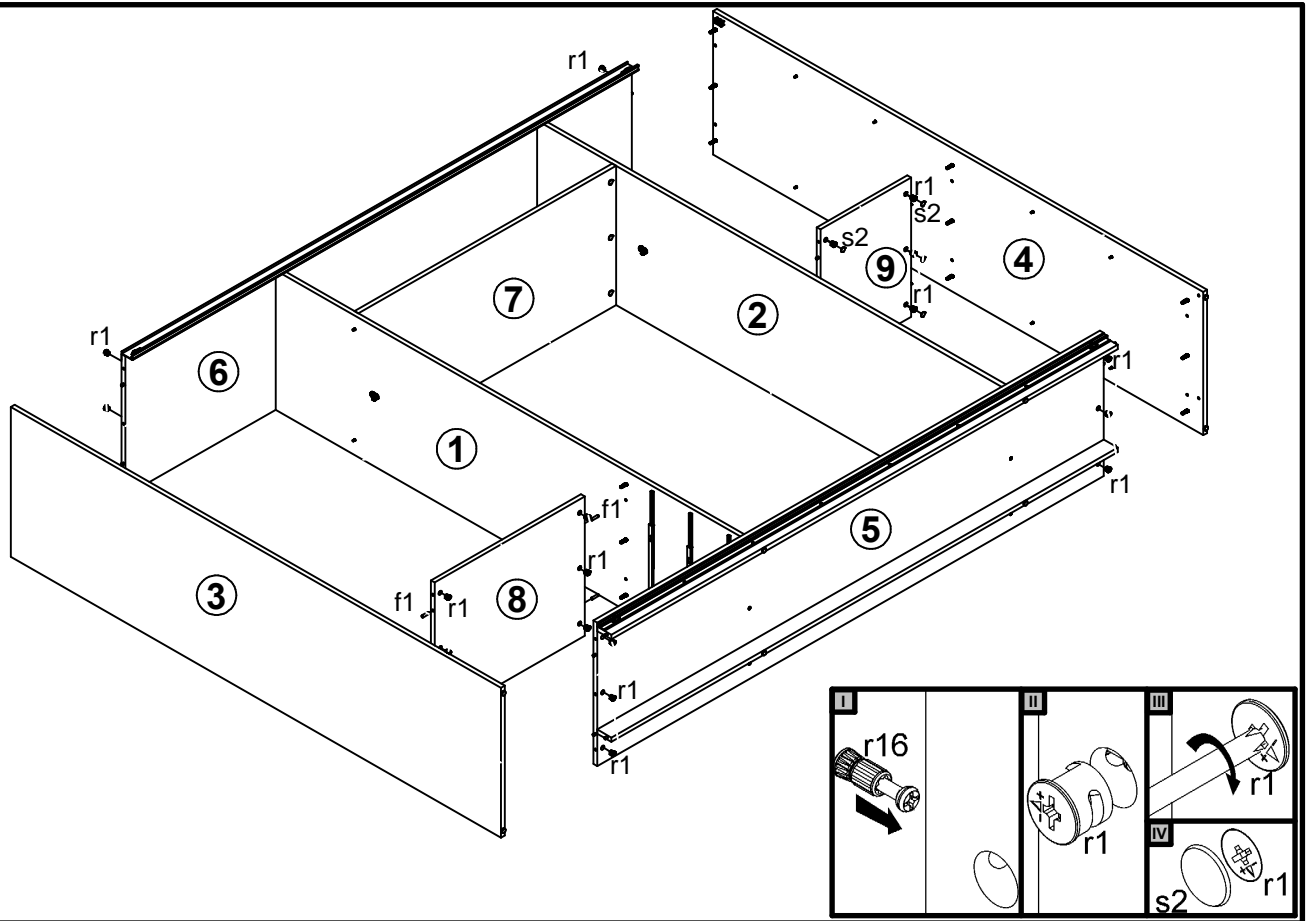
4



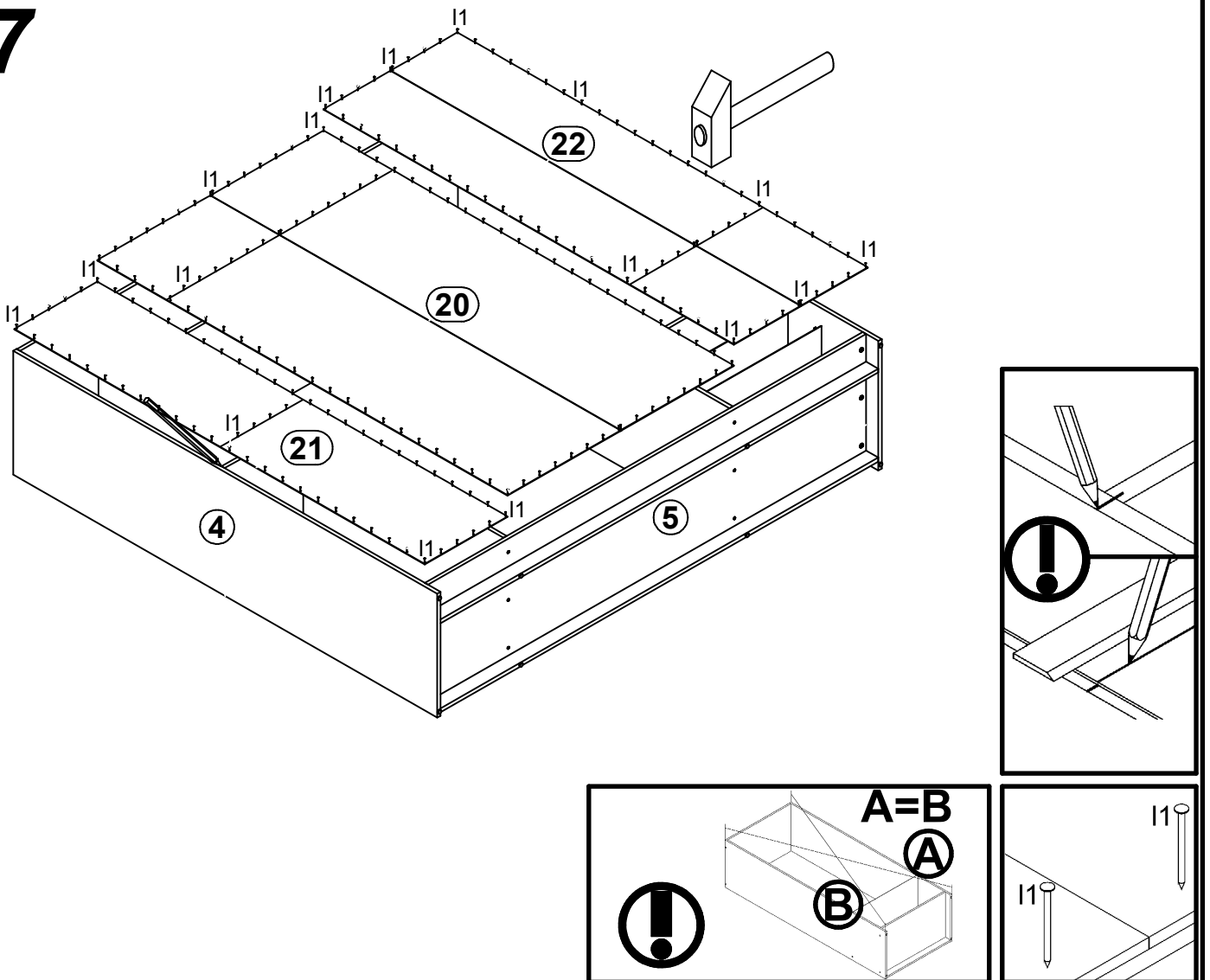
5



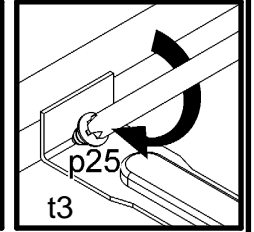
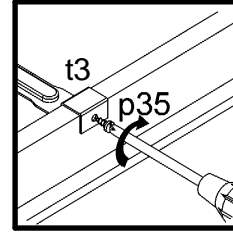
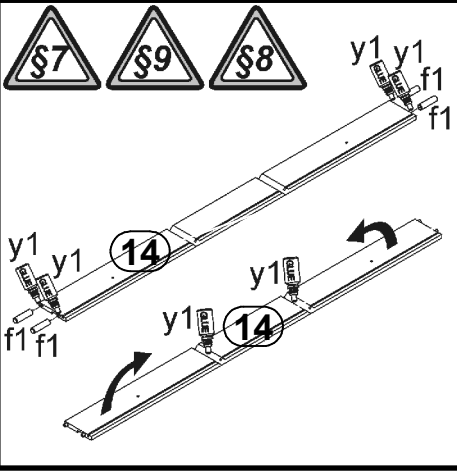
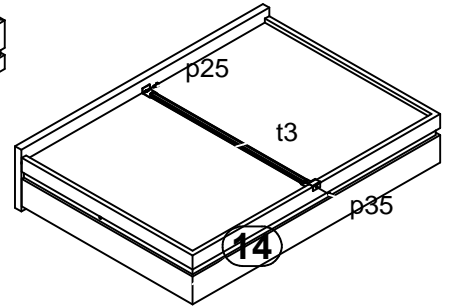
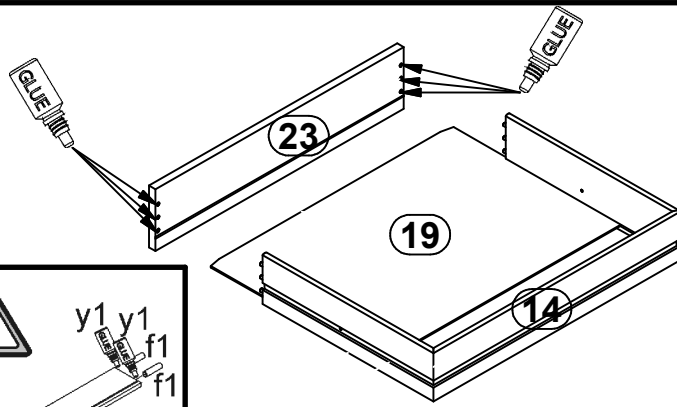
6



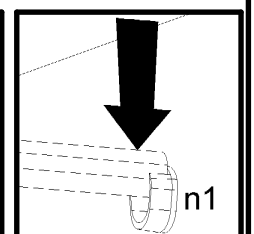
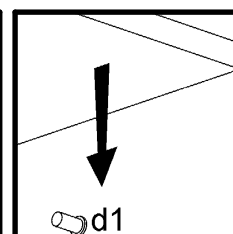
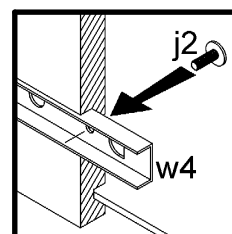
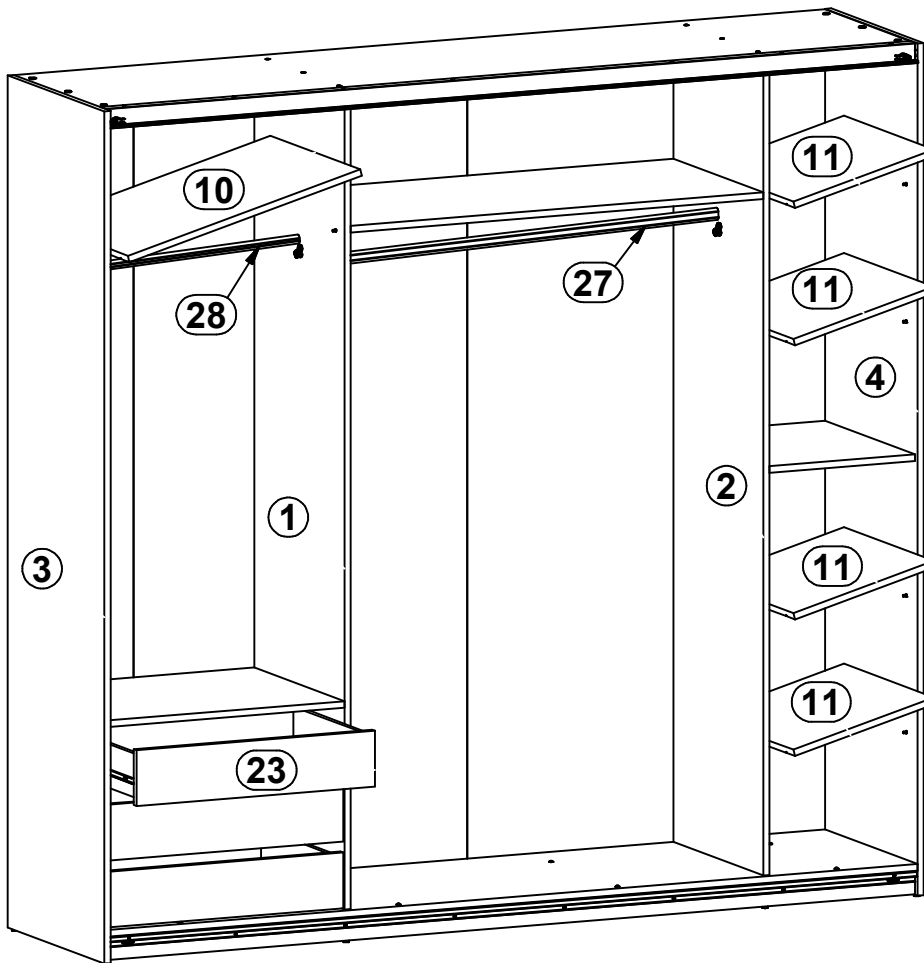
7



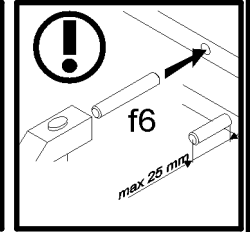
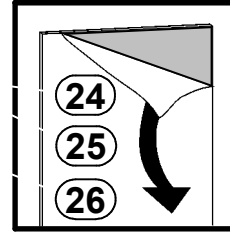
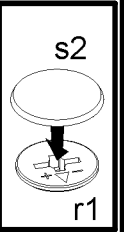
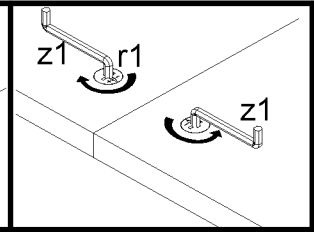
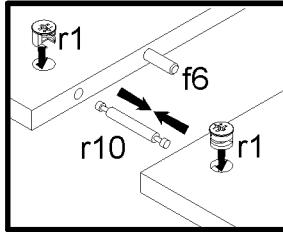
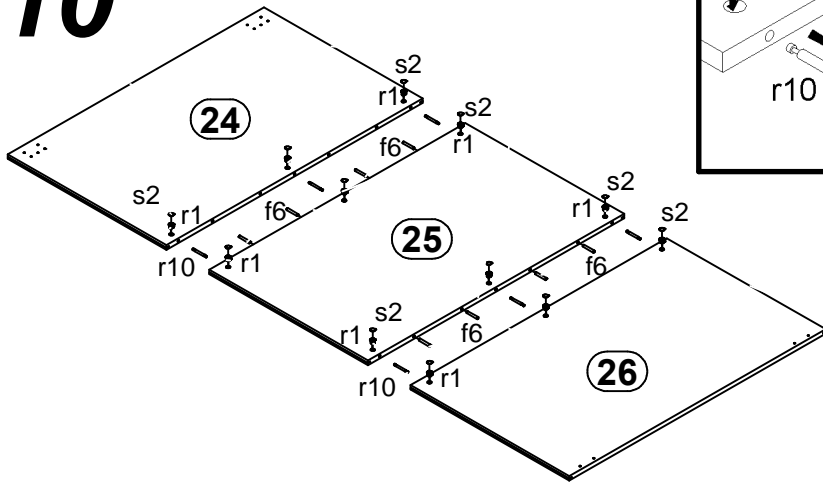
8



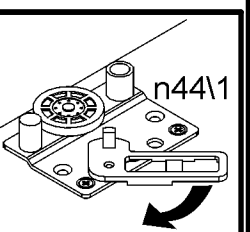
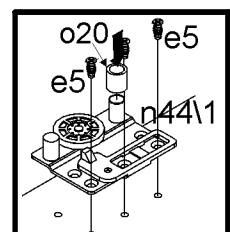
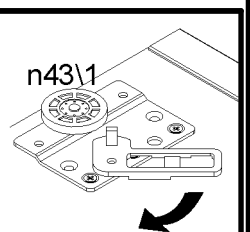
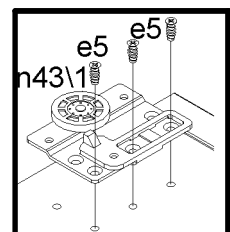
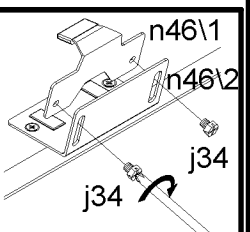
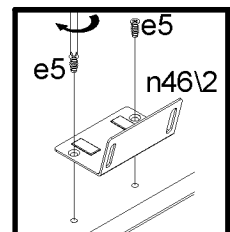
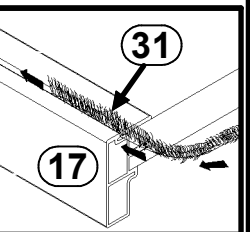
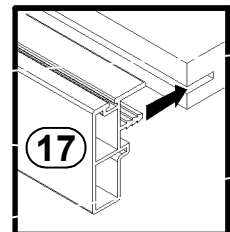
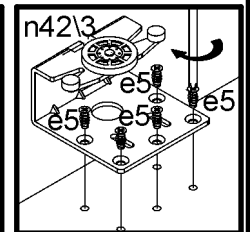
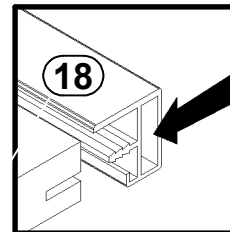
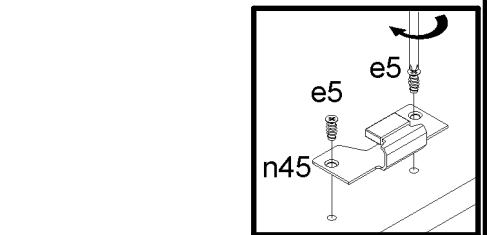
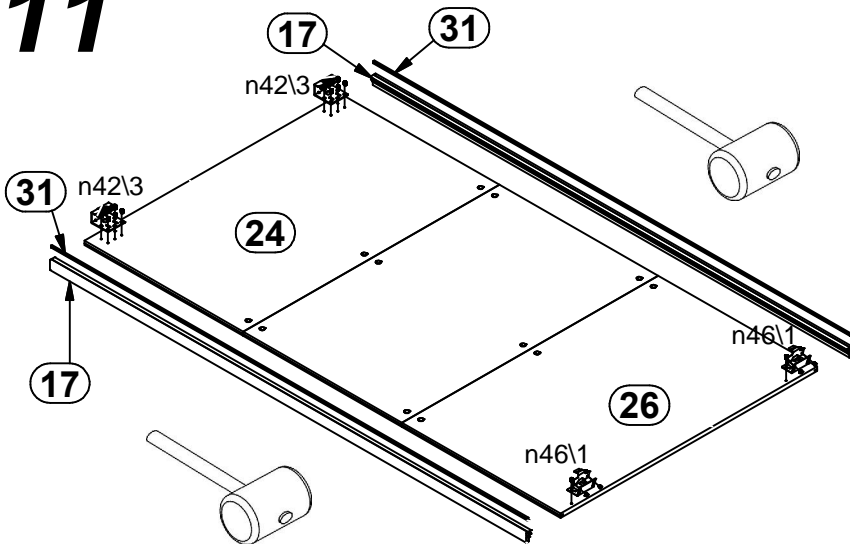
9



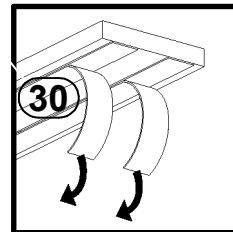
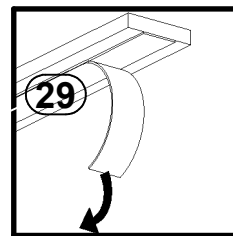
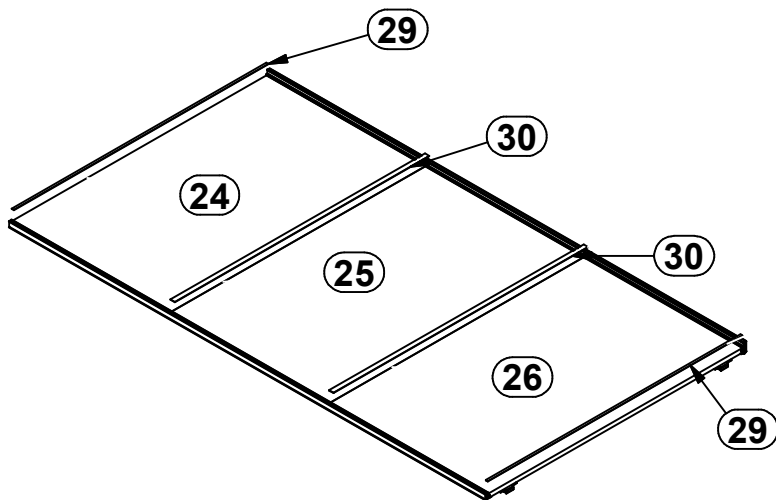
10



11



12



13

