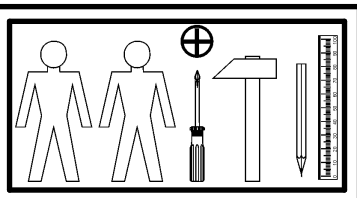
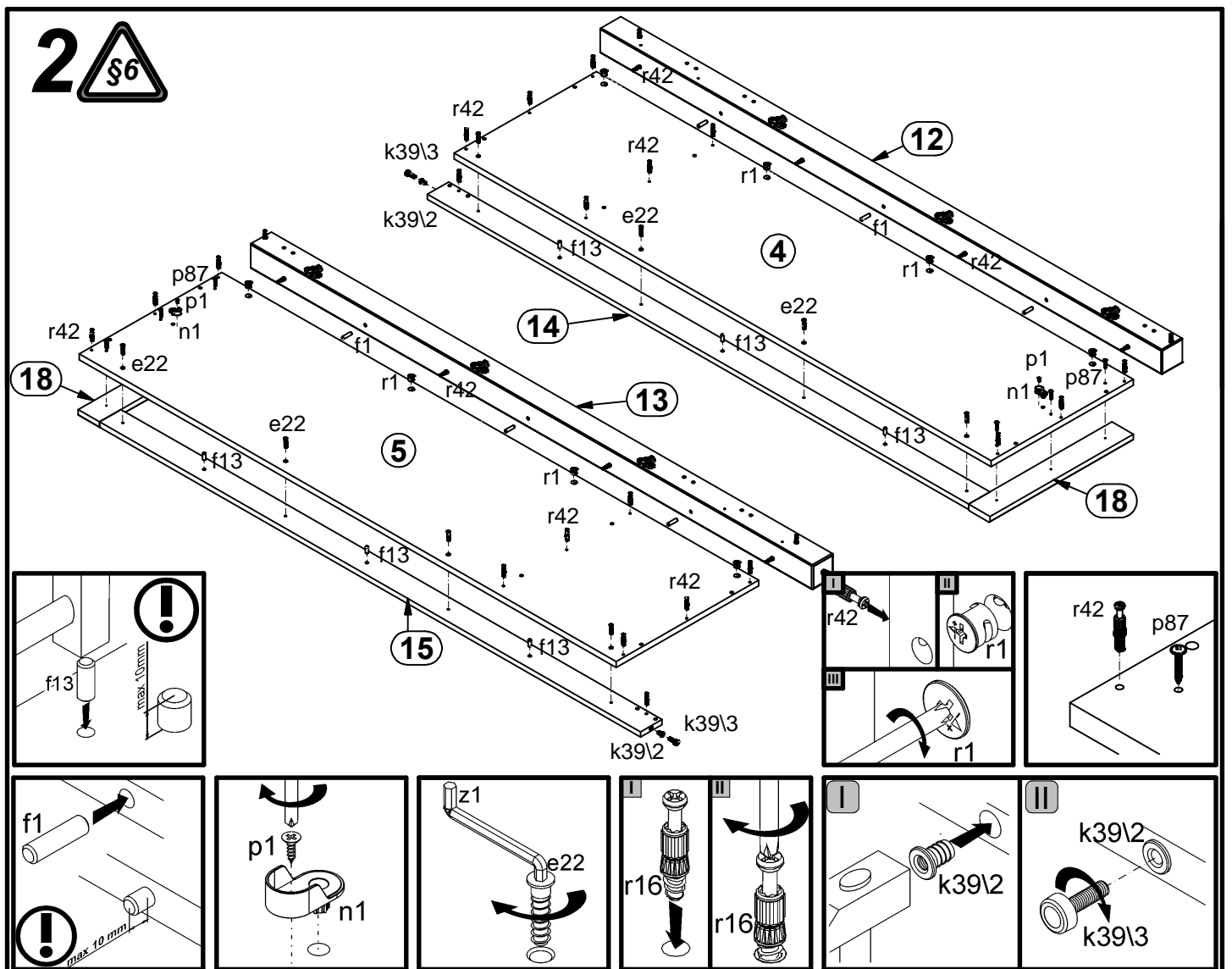
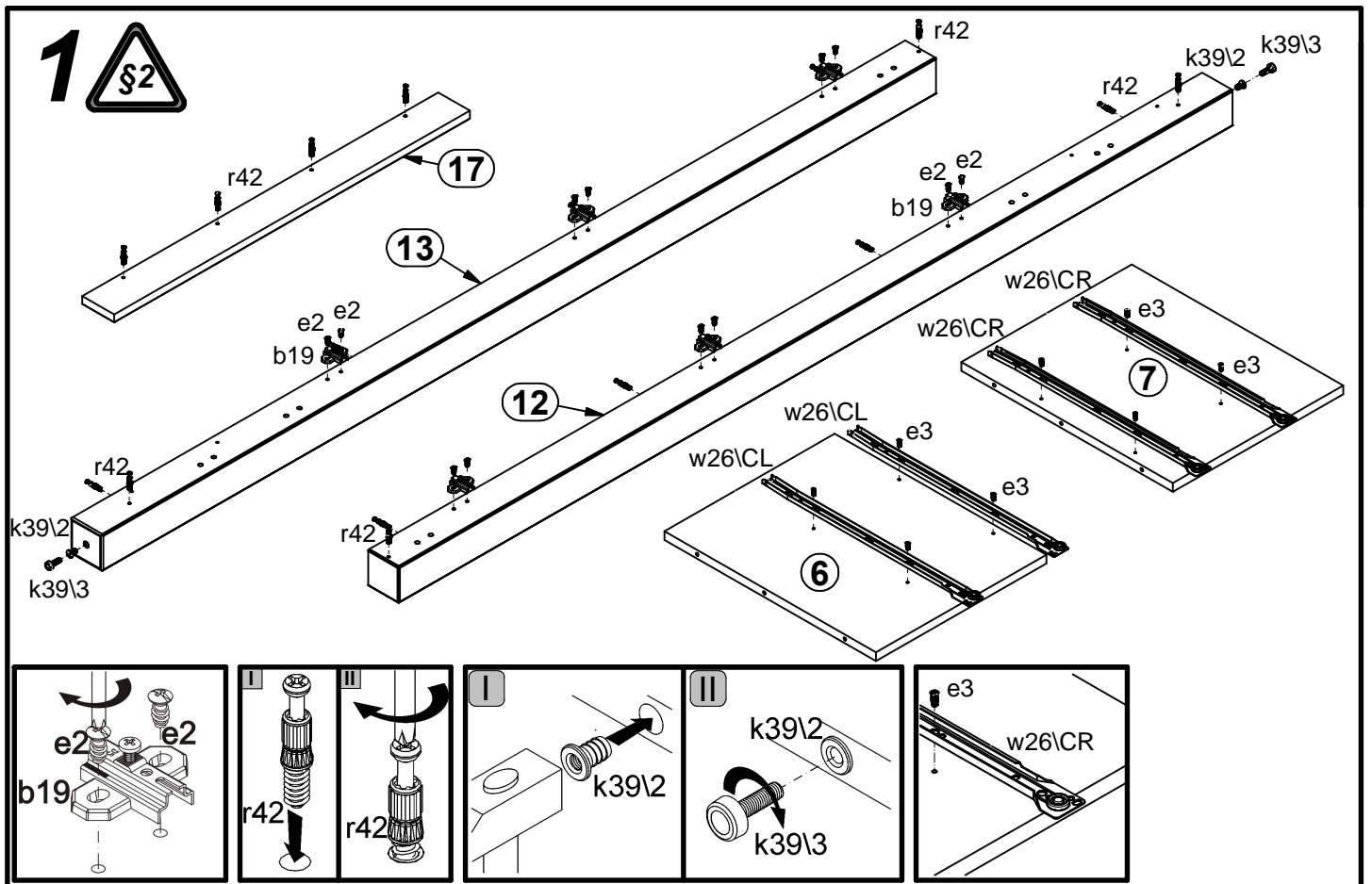


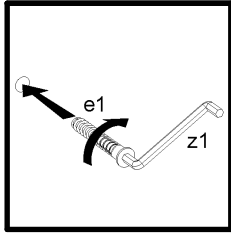
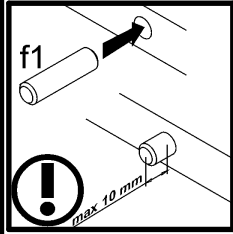
A	B	C	D	
1	S83-001	1388	420	4/4
2	S83-002	1388	420	4/4
3	S83-010	842	176	4/4
4	S83-101	1900	504	1/4
5	S83-102	1900	504	1/4
6	S83-110	406	504	2/4
7	S83-111	406	504	2/4
8	S83-301	926	561	2/4
9	S83-306	926	561	2/4
10	S83-310	926	561	2/4
11	S83-401	848	60	2/4
12	S83-571	1990	76	3/4
13	S83-572	1990	76	3/4
14	S83-573	1914	76	3/4
15	S83-574	1914	76	3/4
16	S83-575	90	60	3/4
17	S83-584	848	76	3/4
18	S83-585	508	76	3/4
19	S83-901	1890	955	1/4
20	S83-906	810	498	2/4
21	ZS1-503	500	120	2/4
22	ZS1-504	500	120	2/4
23	ZS1-6536	799	120	2/4
24	dr-921	921	30	2/4



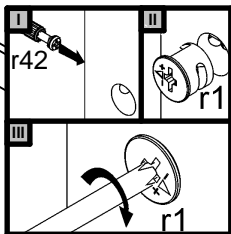
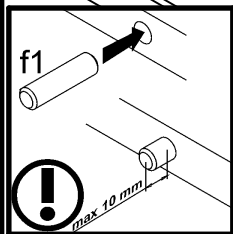
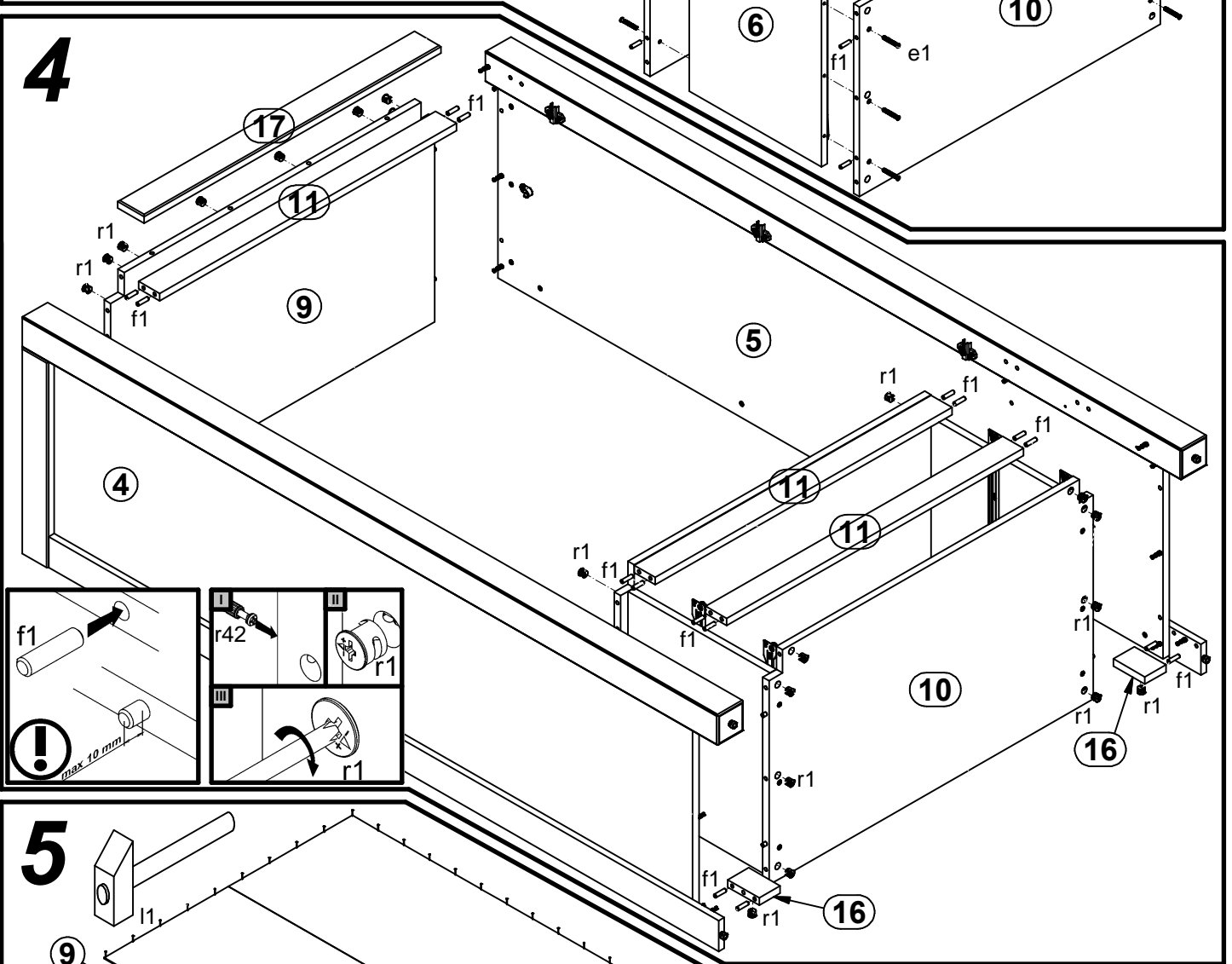
6x a43	6x b19	12x φ7x50 mm e1	12x φ5x9 mm e19	12x φ6,3x13 mm e2	8x φ7x28 mm e22	12x φ6x13 mm e3	34x φ8x30 mm f1	6x φ8x20 mm f13	
8x φ6,5x40 mm f25	4x M6/φ8x14 mm k39/2	4x M6/22mm k39/3	65x l1	2x n1	2x φ3,5x13 mm p1	4x φ3,5x16 mm p25	12x φ3,5x15 mm p51	6x φ4x25 mm p87	
36x φ15x12mm #16 r1	8x φ12x10,5mm #12 r15	44x r42	2x 483 mm t17	2x 500 mm w26/CL	2x 500 mm w26/CR	2x 500 mm w26/DL	2x 500 mm w26/DR	12x s1	
12x ø16 s2	1x z1	1x n26/1	1x φ3,5x16 mm p38						



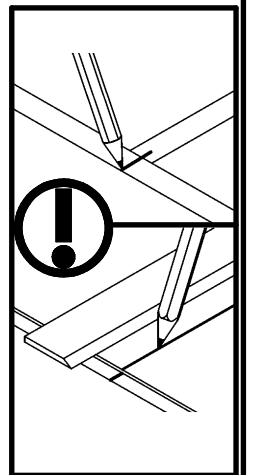
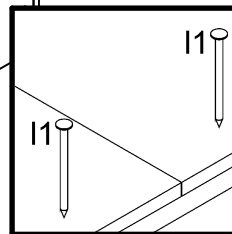
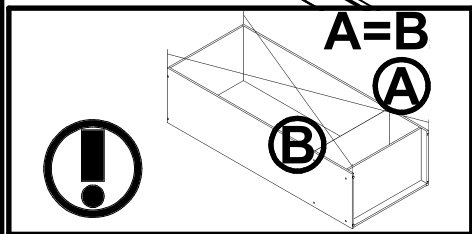
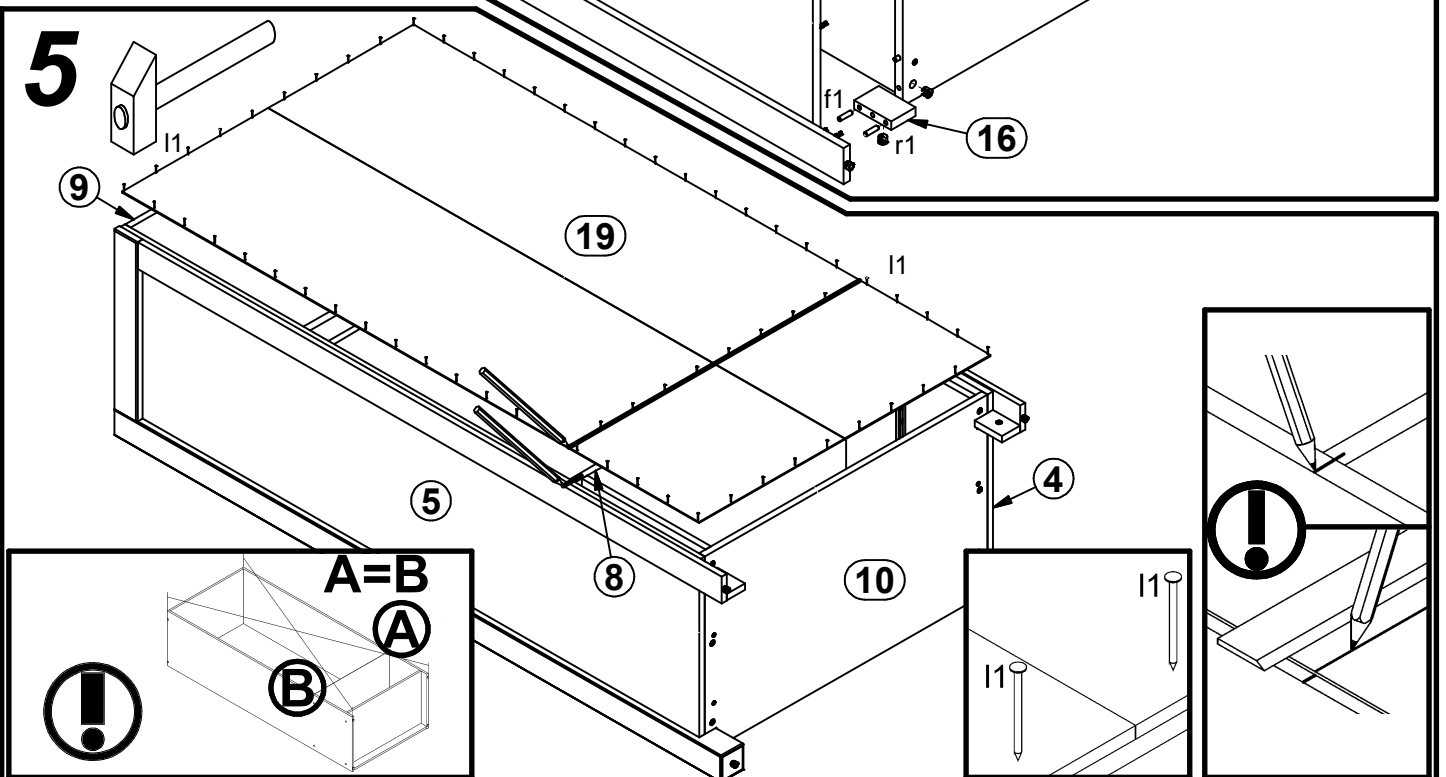
3



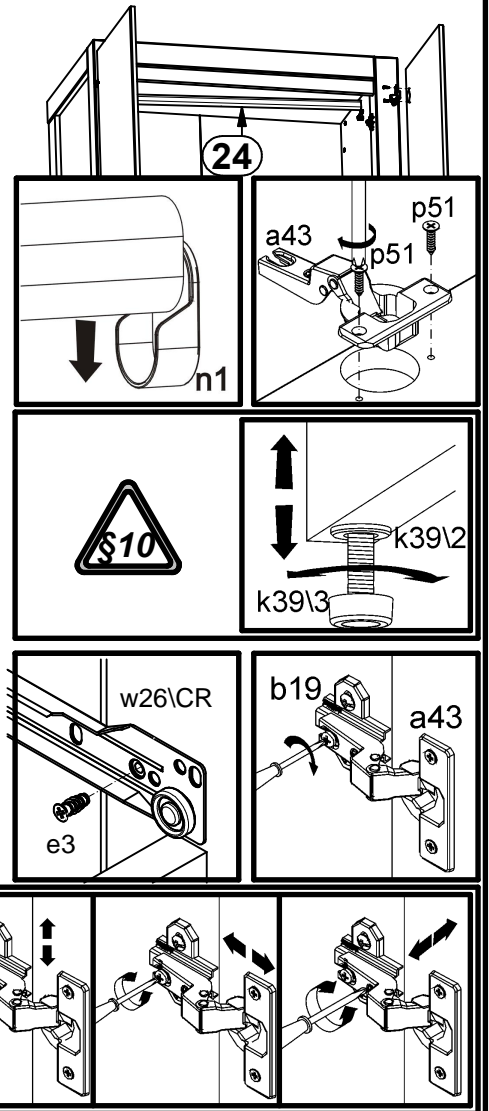
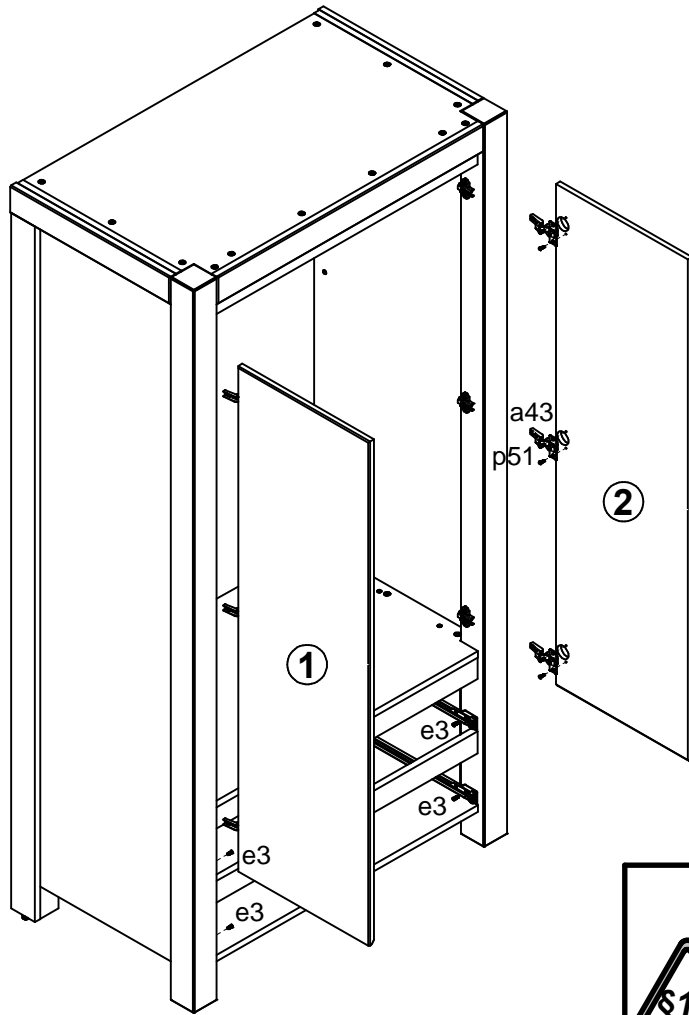
4



5



6



7

