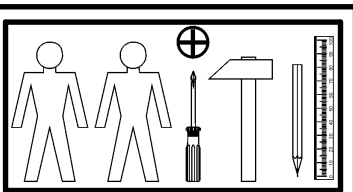
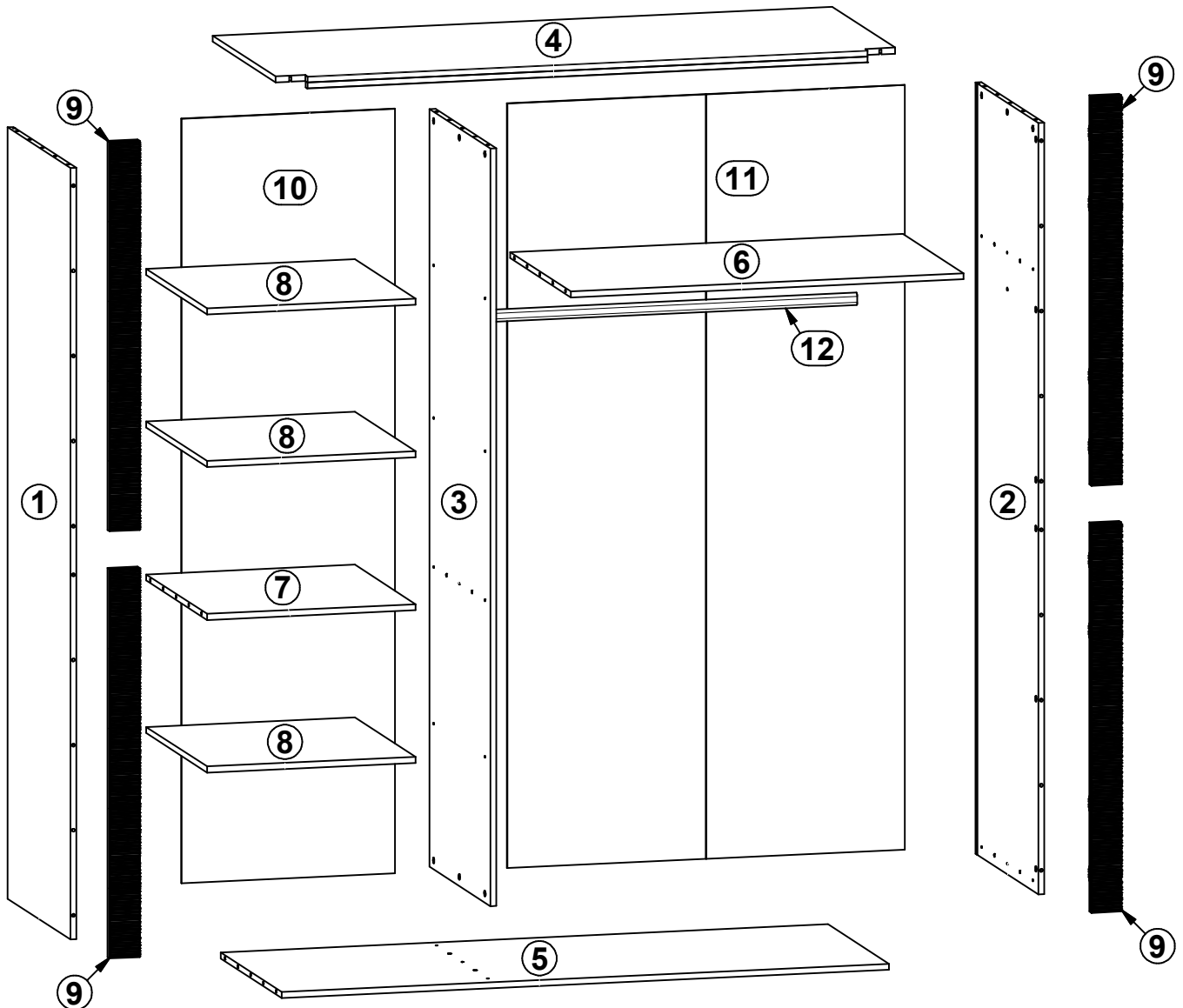
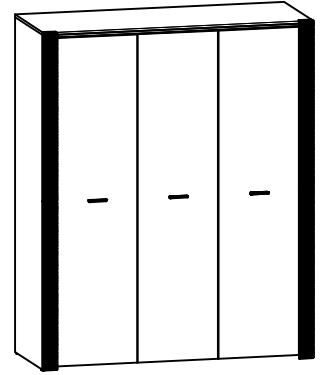
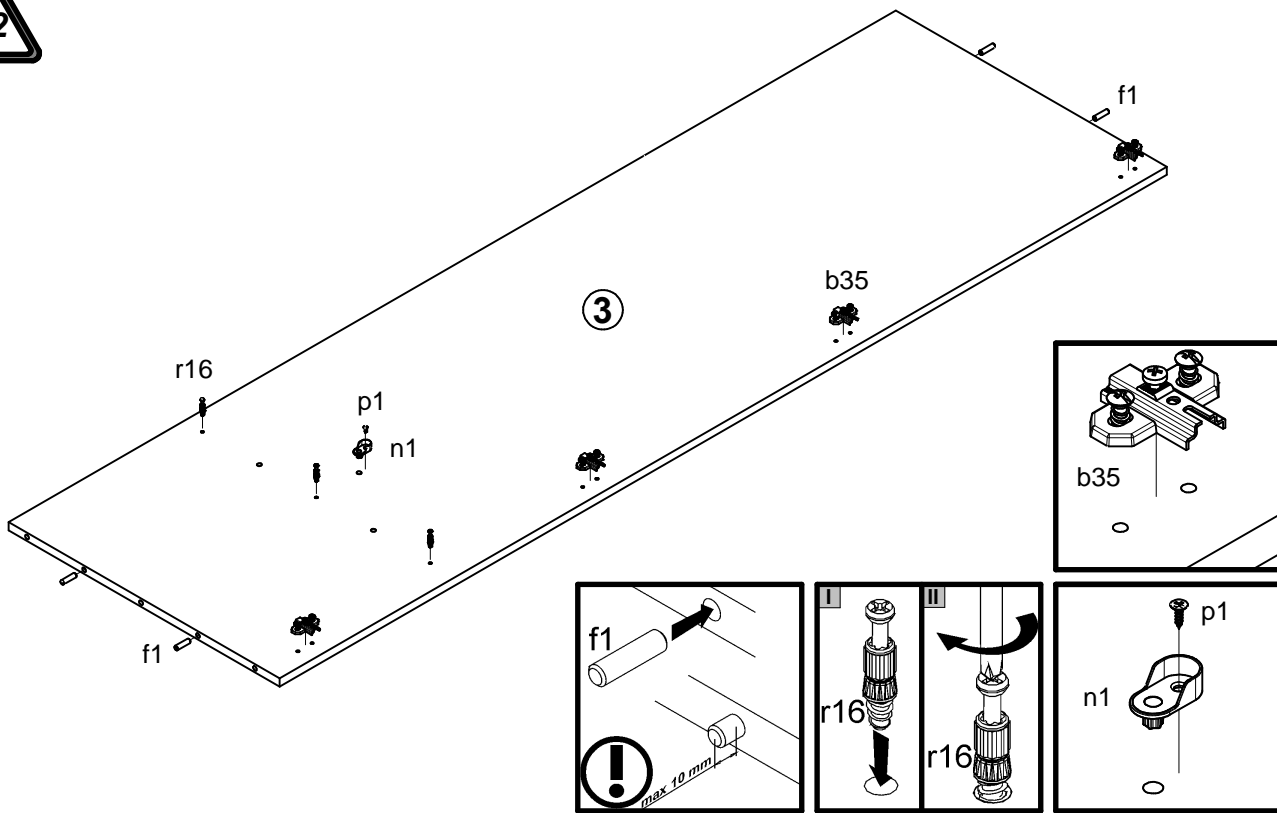


A	B	C	D
1	S126-134	2030	629
2	S126-135	2030	629
3	S126-136	1994	609
4	S126-209	1660	651
5	S126-313	1627	609
6	S126-316	1052	609
7	S126-317	559	609
8	S126-318	559	609
9	S126-579	1024	80
10	S126-910	2012	572
11	S126-9907	2012	1065
12	dr-1046	1046	30

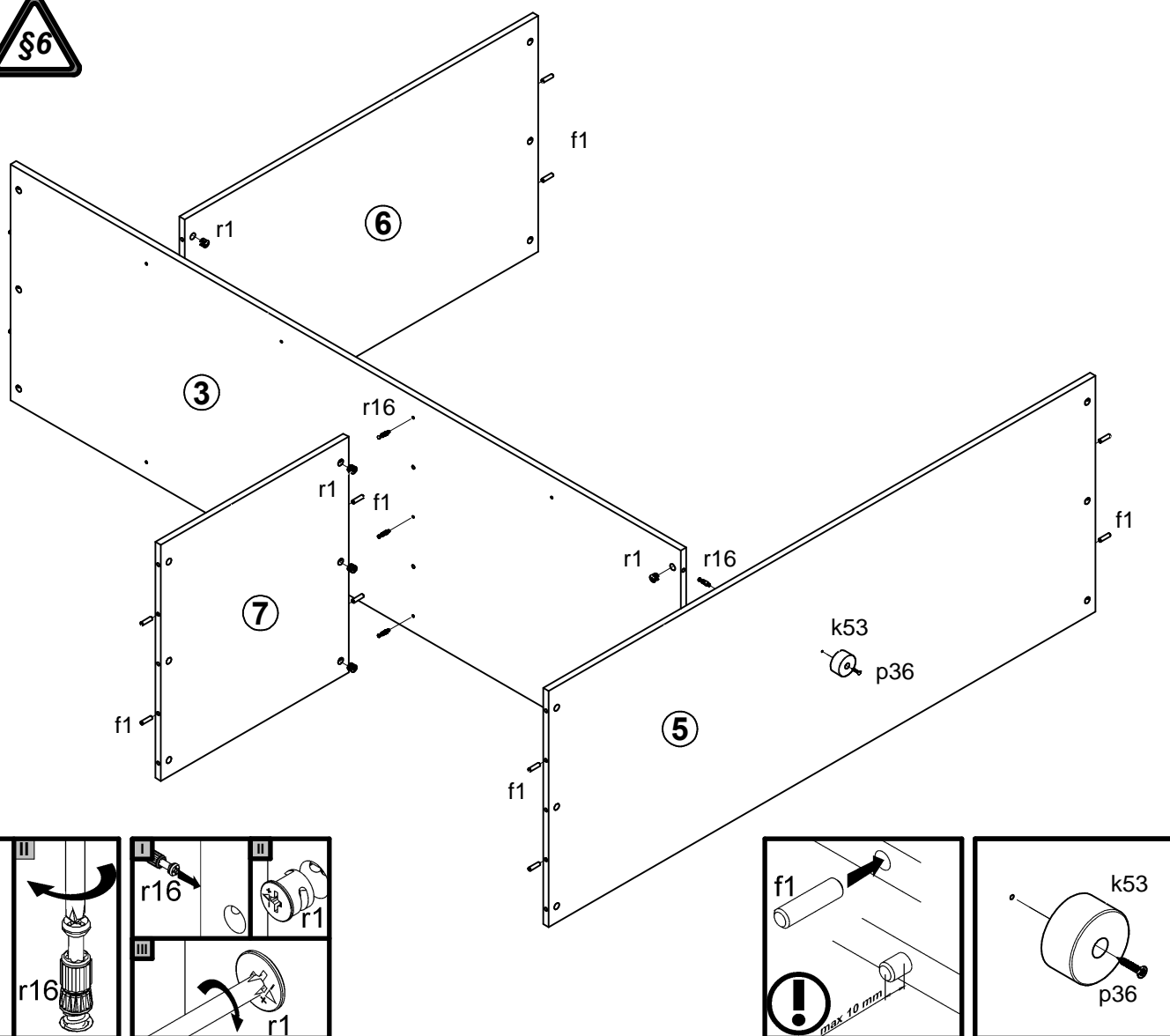


12x φ5x17 mm d1	28x φ8x30 mm f1	4x k1	1x k53	70x l1	24x l2	2x n1	2x φ3,5x13 mm p1	1x φ4x25 mm p36
42x φ15x12mm #16 r1	42x r16	2x φ20x12mm #16 r36	2x 6,7/7,8 r37	30x φ16 s2	6x φ11x5 mm s43	1x n26\1	1x φ3,5x16 mm p38	

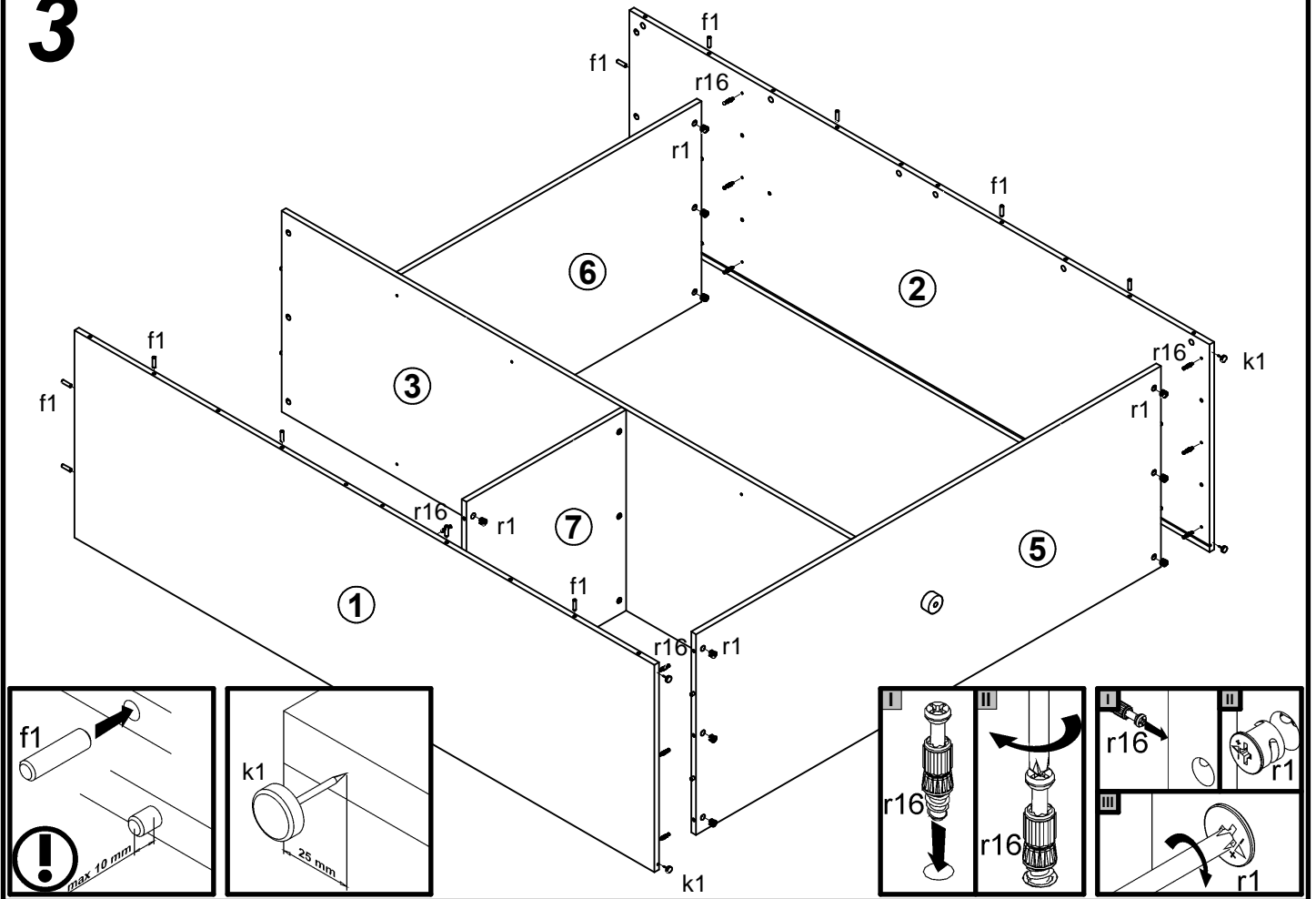
1 



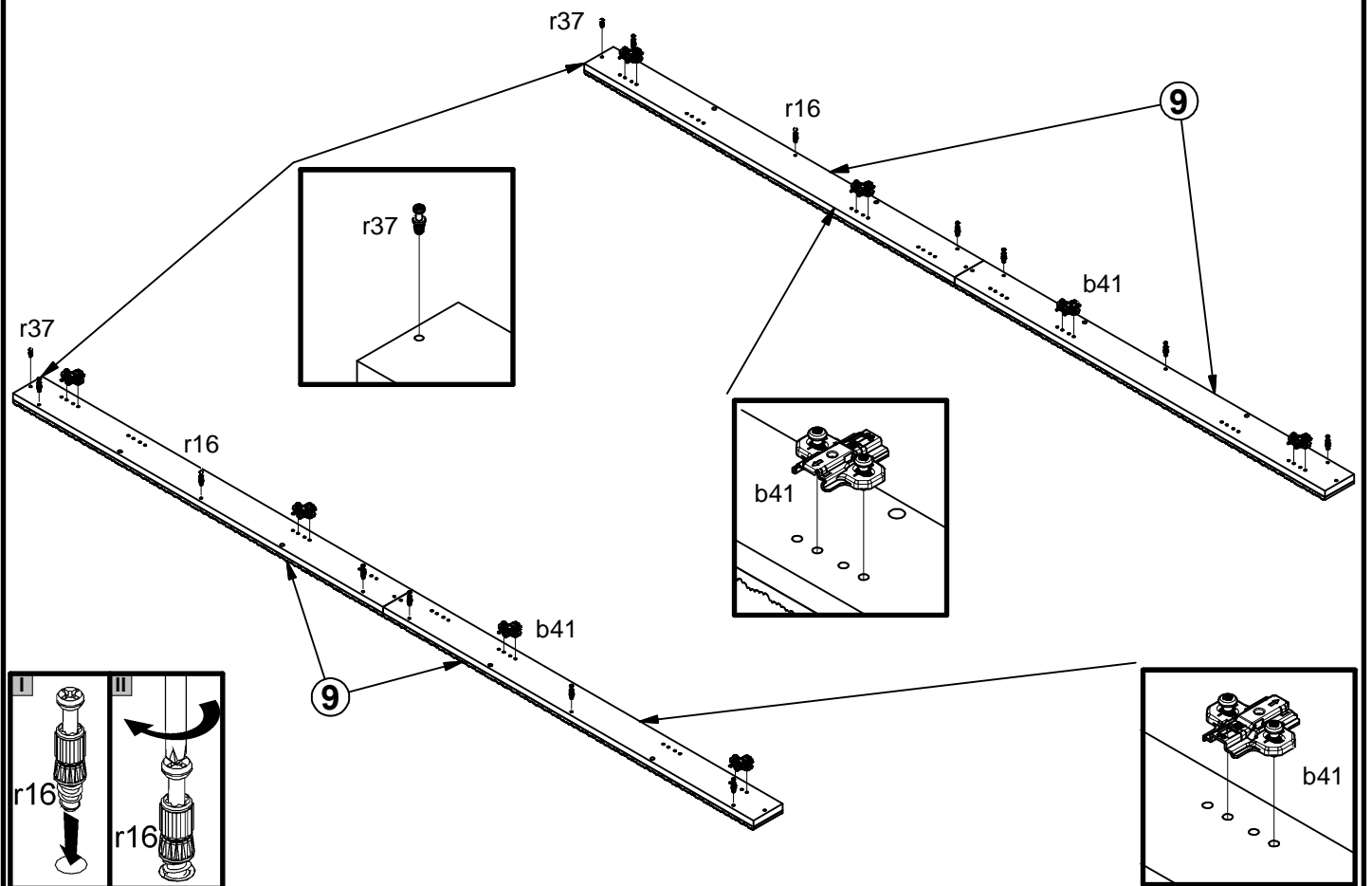
2 



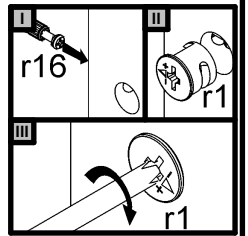
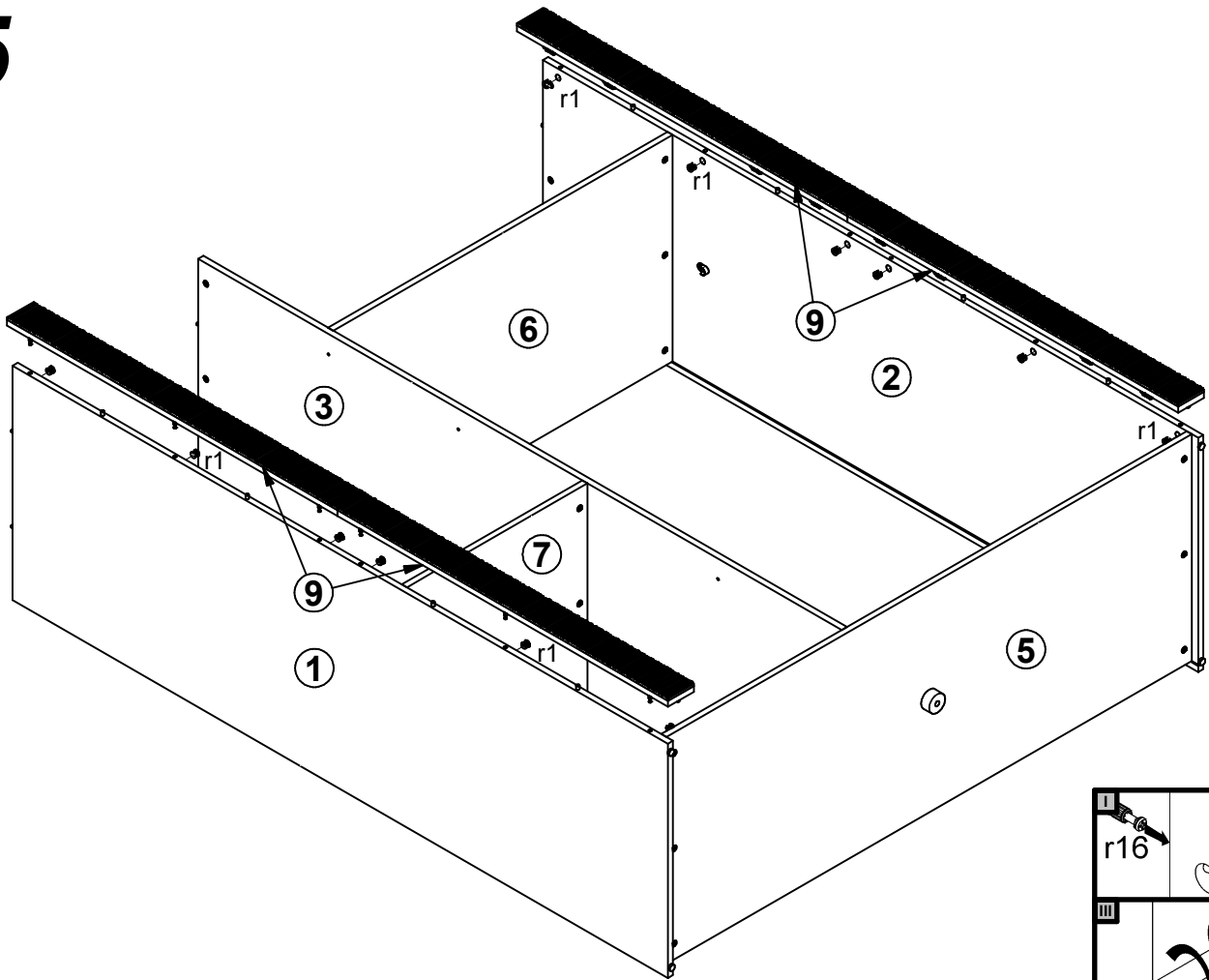
3



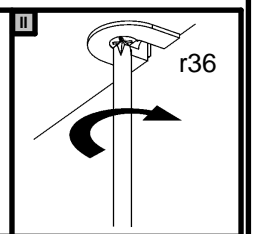
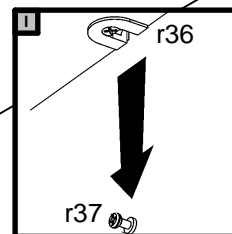
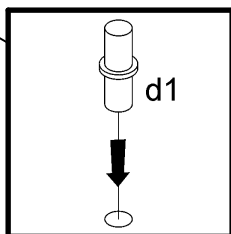
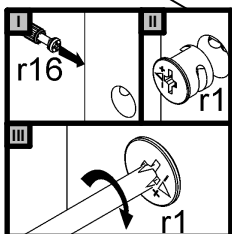
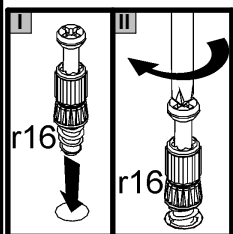
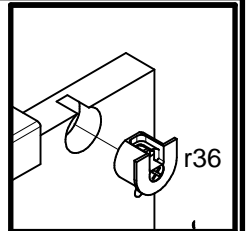
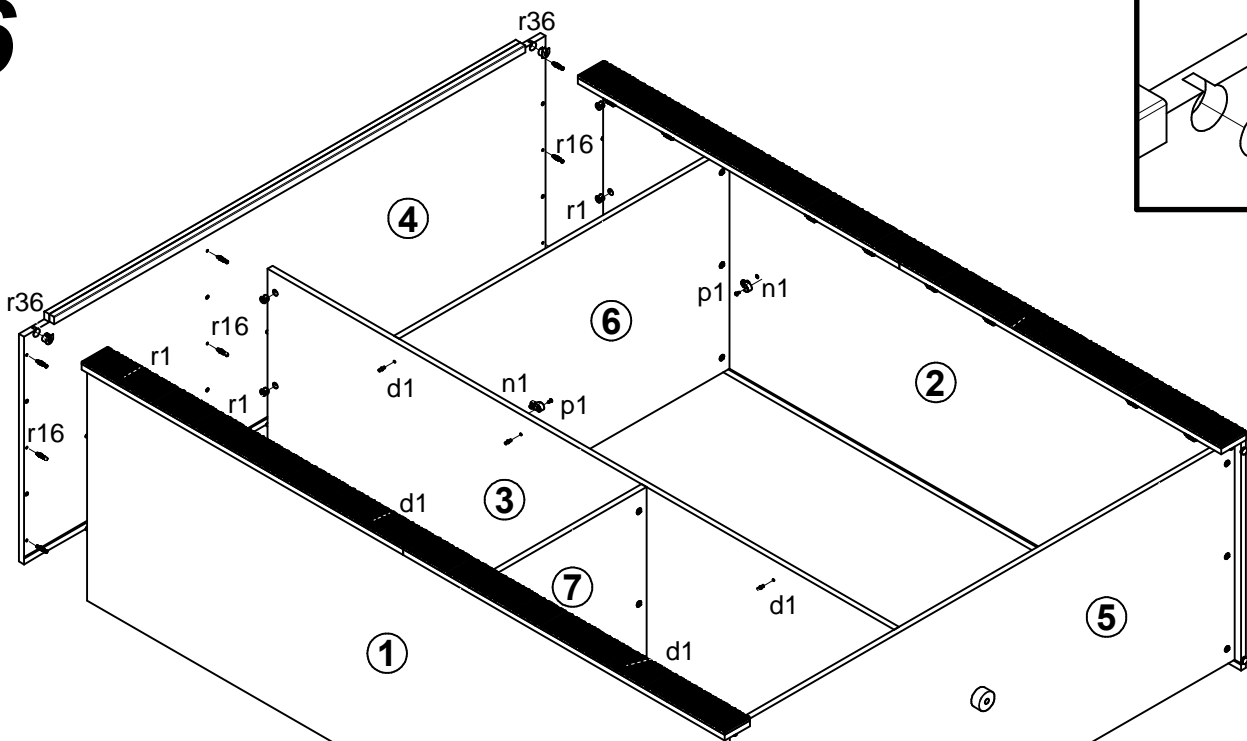
4



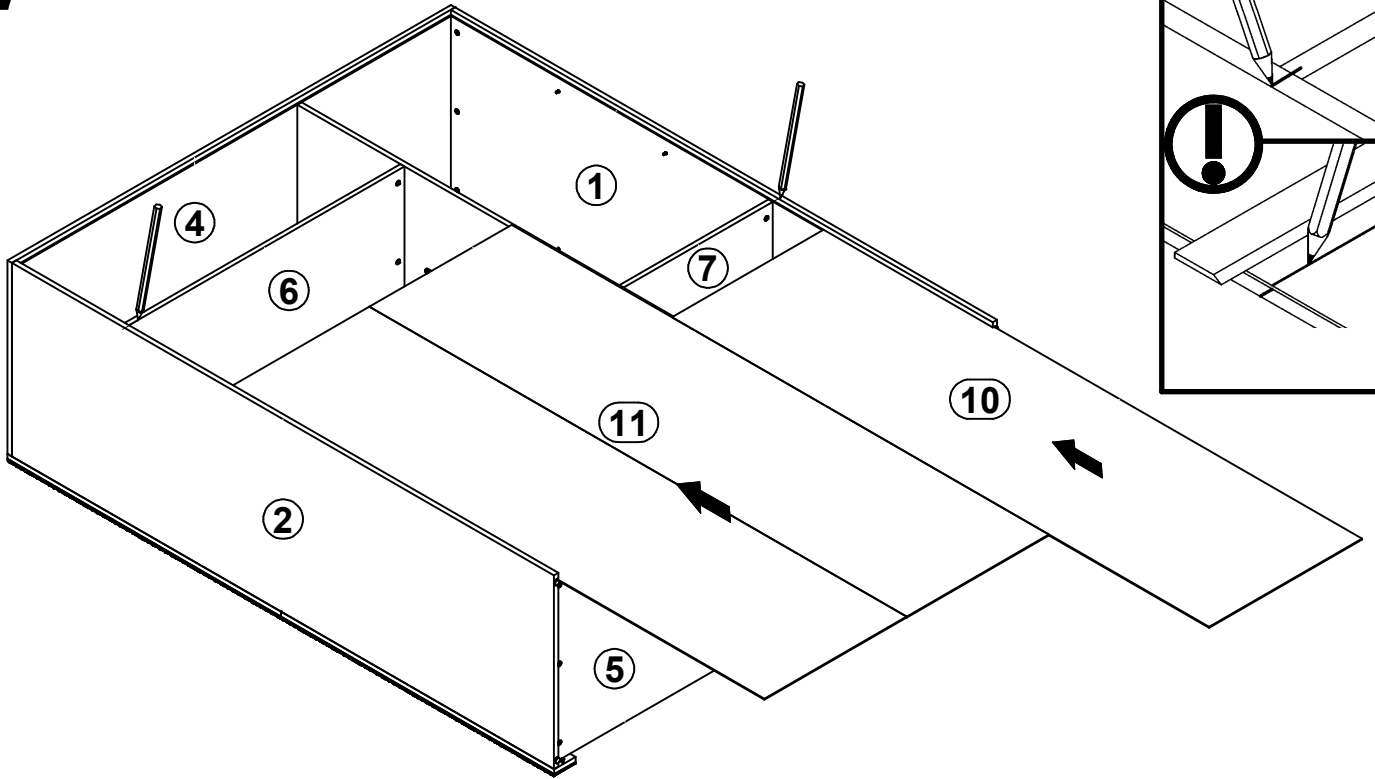
5



6



7



8

