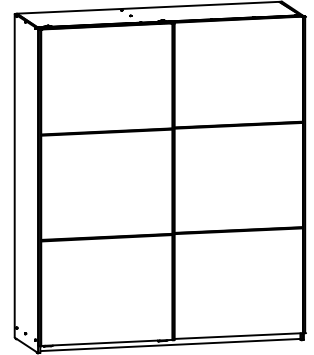


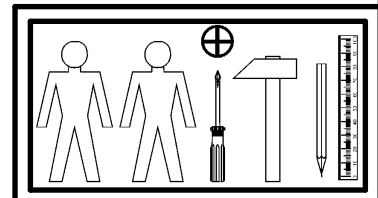
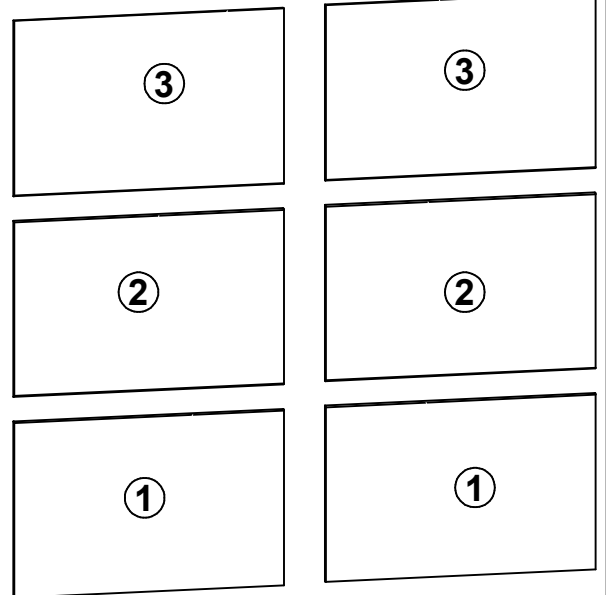
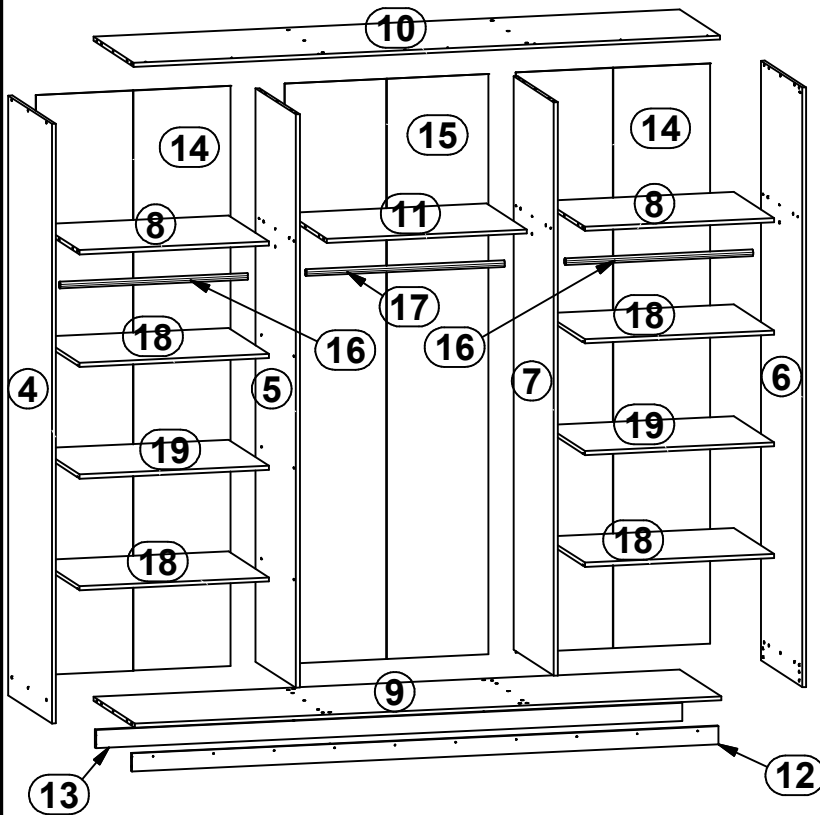
COLIN

F15-SZF/220

| A | B | C | D | A | B | C | D | | |
|---|---------|------|-----|-----|----|---------|------|-----|-----|
| 1 | F15-007 | 1110 | 710 | 5/5 | 10 | F15-310 | 2170 | 555 | 2/5 |
| 2 | F15-008 | 1110 | 710 | 5/5 | 11 | F15-311 | 740 | 555 | 2/5 |
| 3 | F15-009 | 1110 | 710 | 5/5 | 12 | F15-405 | 2170 | 66 | 2/5 |
| 4 | F15-101 | 2180 | 600 | 1/5 | 13 | F15-406 | 2170 | 66 | 2/5 |
| 5 | F15-103 | 2084 | 555 | 1/5 | 14 | F15-901 | 2109 | 720 | 2/5 |
| 6 | F15-104 | 2180 | 571 | 1/5 | 15 | F15-904 | 2109 | 755 | 2/5 |
| 7 | F15-105 | 2084 | 555 | 1/5 | 16 | dr-694 | 694 | 22 | 2/5 |
| 8 | F15-303 | 700 | 555 | 2/5 | 17 | dr-734 | 734 | 22 | 2/5 |
| 9 | F15-309 | 2170 | 571 | 2/5 | | | | | |



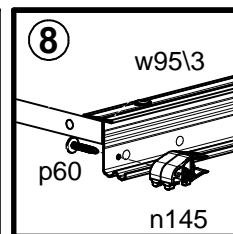
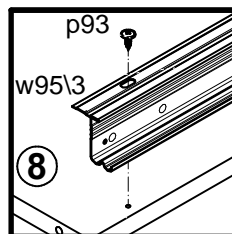
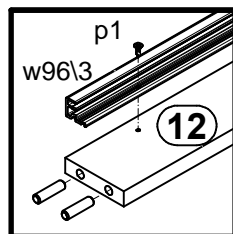
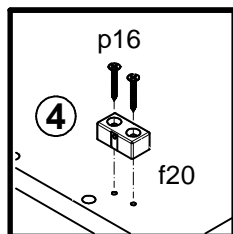
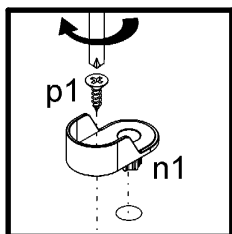
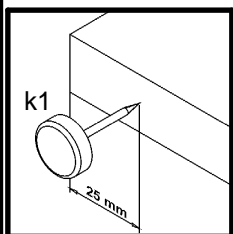
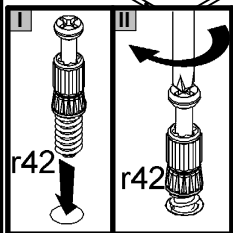
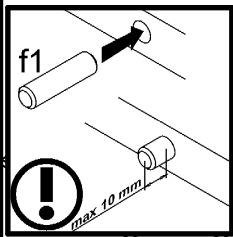
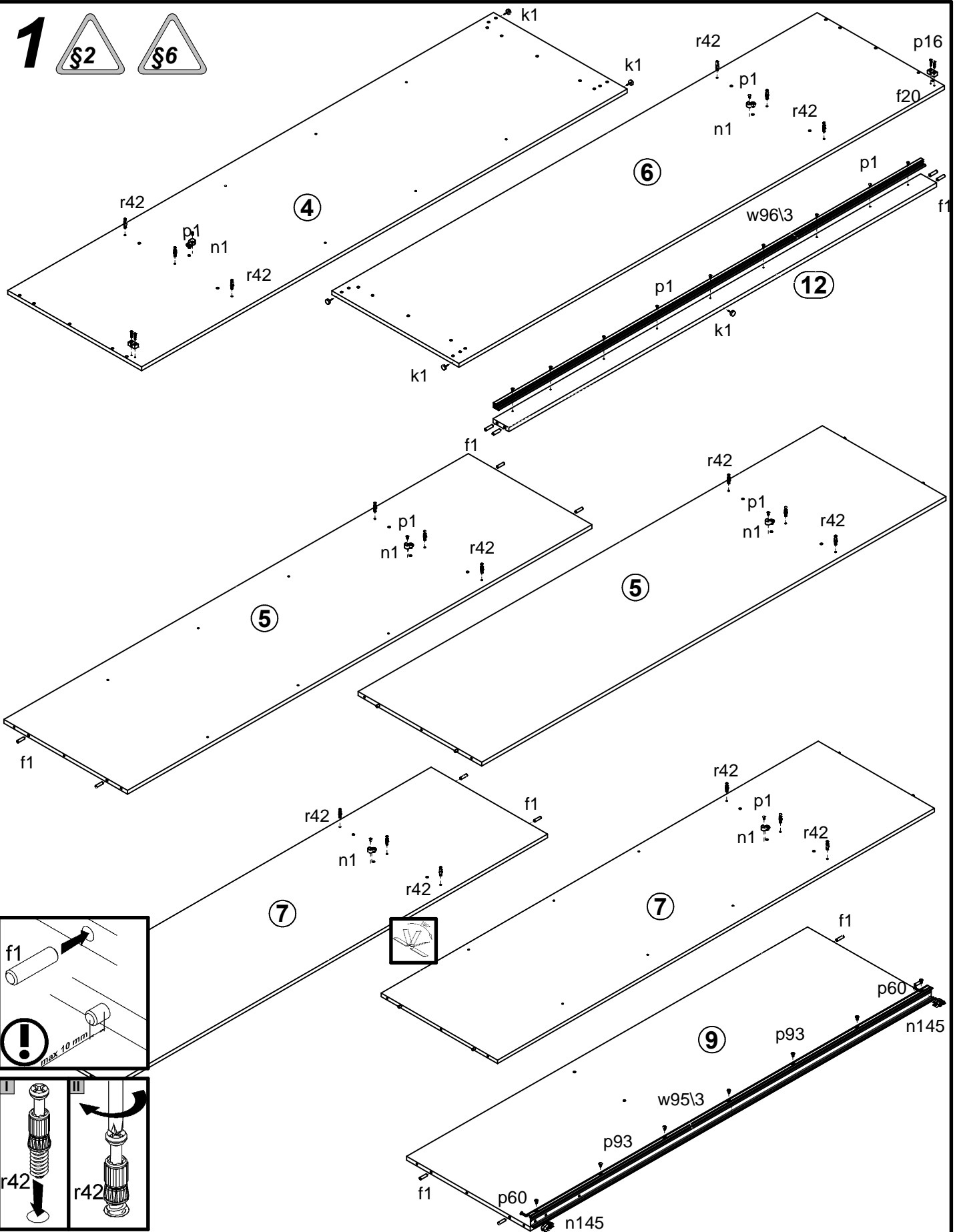
| A | B | C | D | |
|----|---------|-----|-----|---------|
| 18 | F15-305 | 700 | 555 | 1/1 |
| 19 | F15-312 | 700 | 555 | 1/2,2/2 |



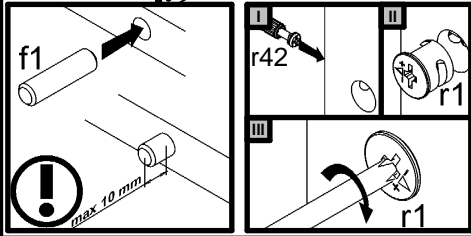
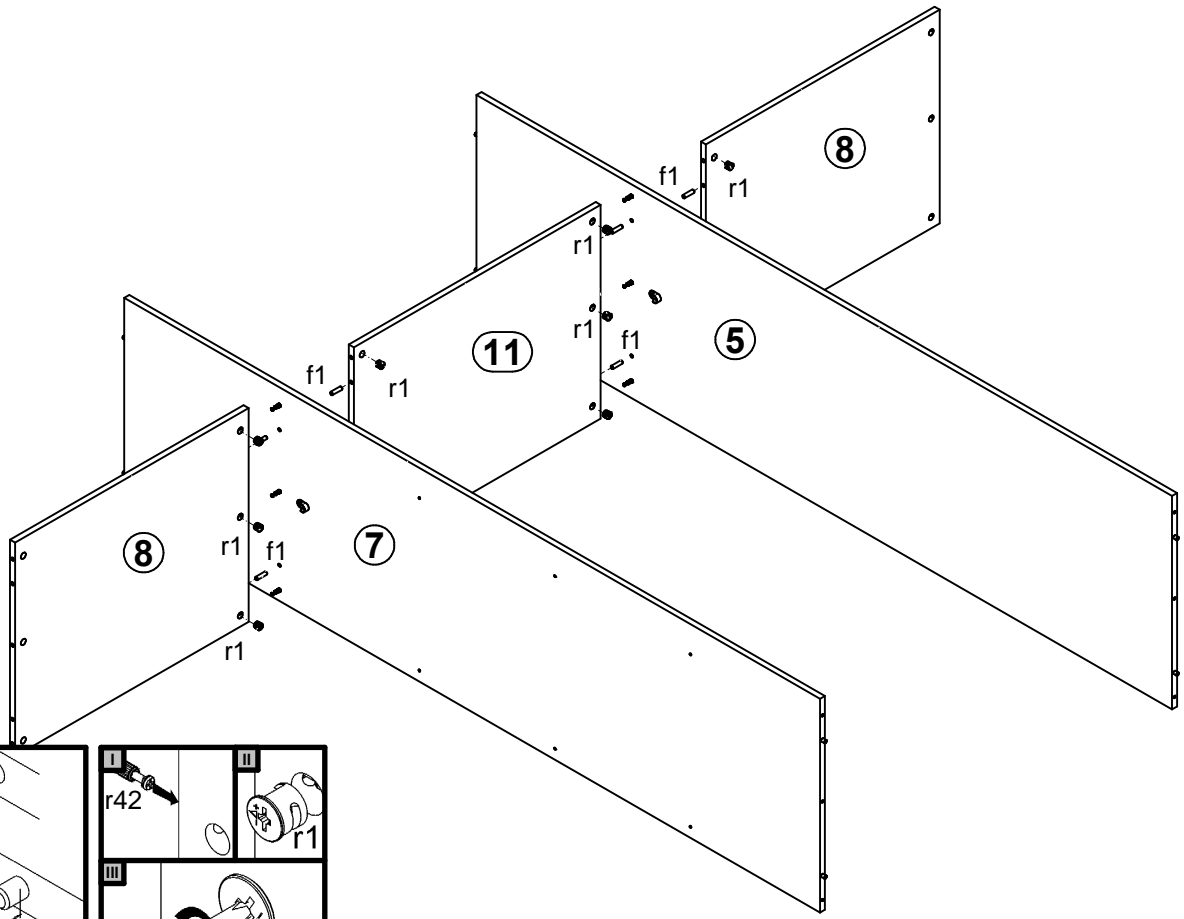
| | | | | | | | | |
|------------------------|----------------------------|--------------------------|-----------------------|------------------------|------------|-------------|-------------------------|-------------------------|
| 2x φ4x22 mm p60 | 28x φ7x50 mm e1 | 24x φ5,5x13 mm e13 | 28x φ8x30 mm f1 | 2x f20 | 8x k1 | 190x l1 | 6x n1 | 3x n140\2 |
| 2x n142 | 2x n143 | 1x n144 | 2x n145 | 2x n146 | 2x n147 | 8x n148 | 17x φ3,5x13 mm p1 | 4x φ3,5x25 mm p16 |
| 96x φ4x13 mm p93 | 18x φ1,5x12mm #16 r1 | 18x r42 | 3x w97\1 | 1x w97\2 | 1x z1 | 1x w95\3 | 1x w96\3 | |
| | | | 16x φ5x17 mm d1 | 8x φ6,3x13 mm e5 | 8x d28 | | | |



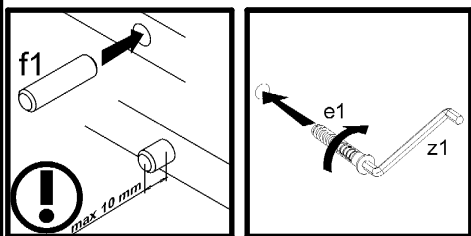
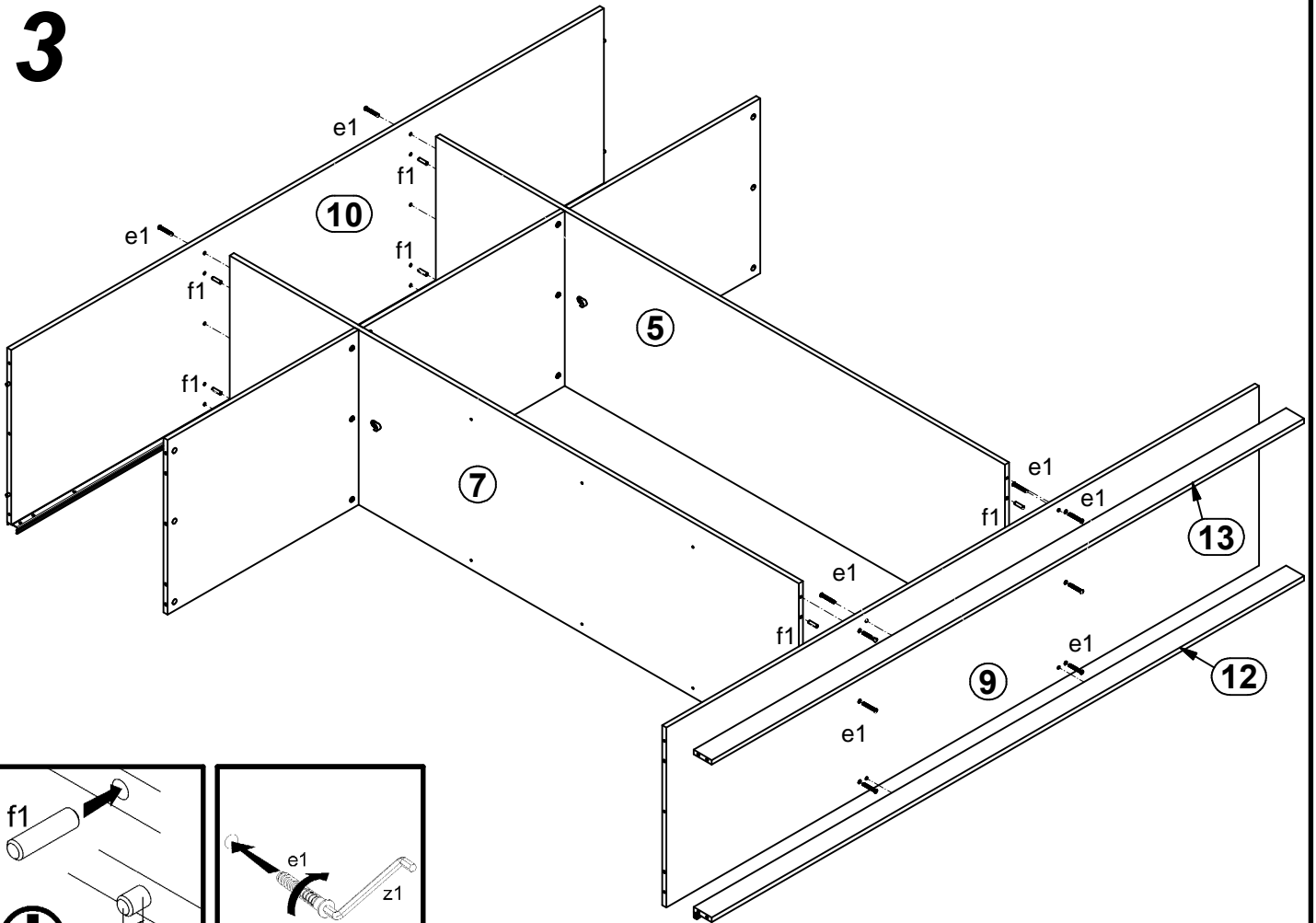
1



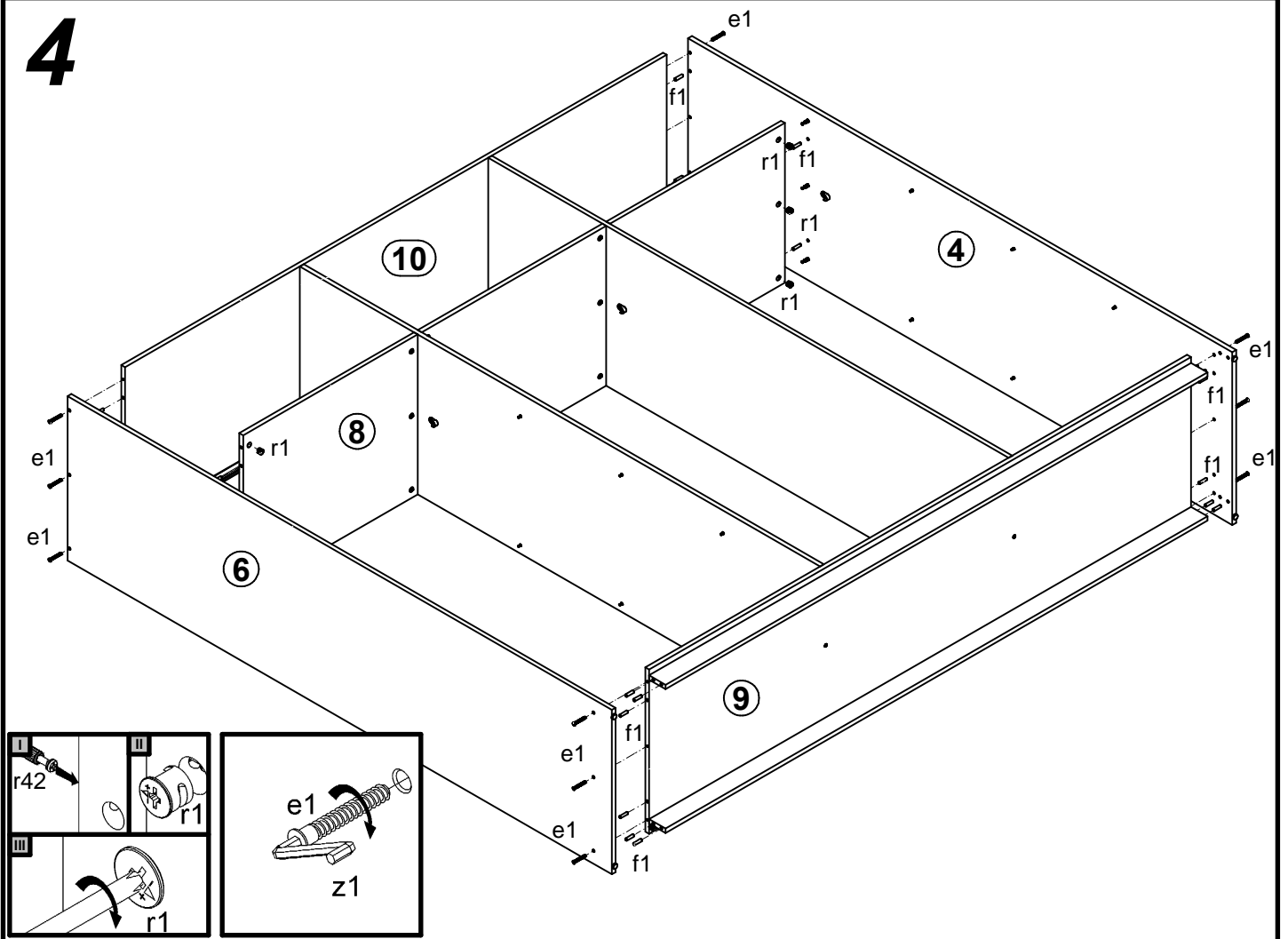
2



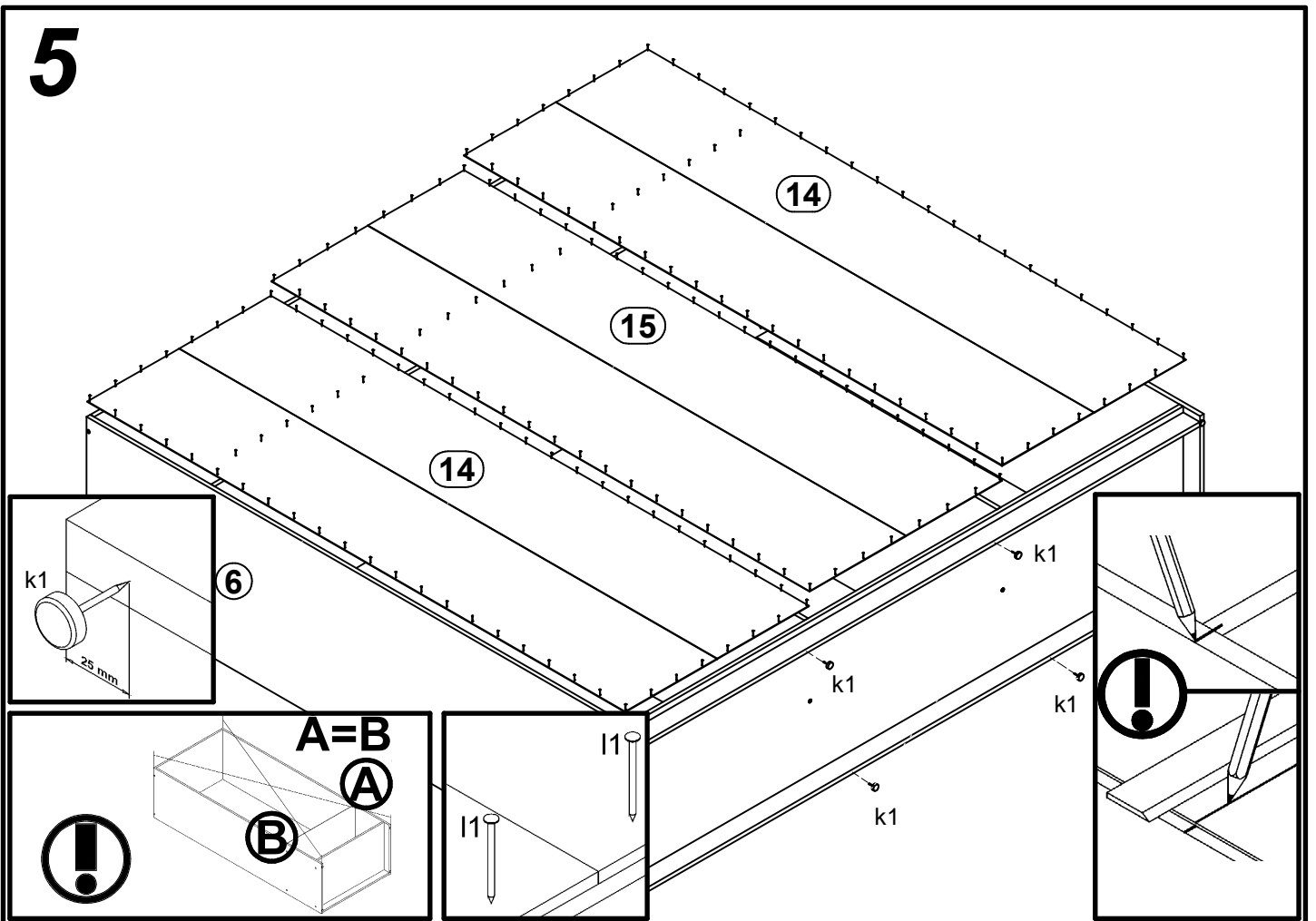
3



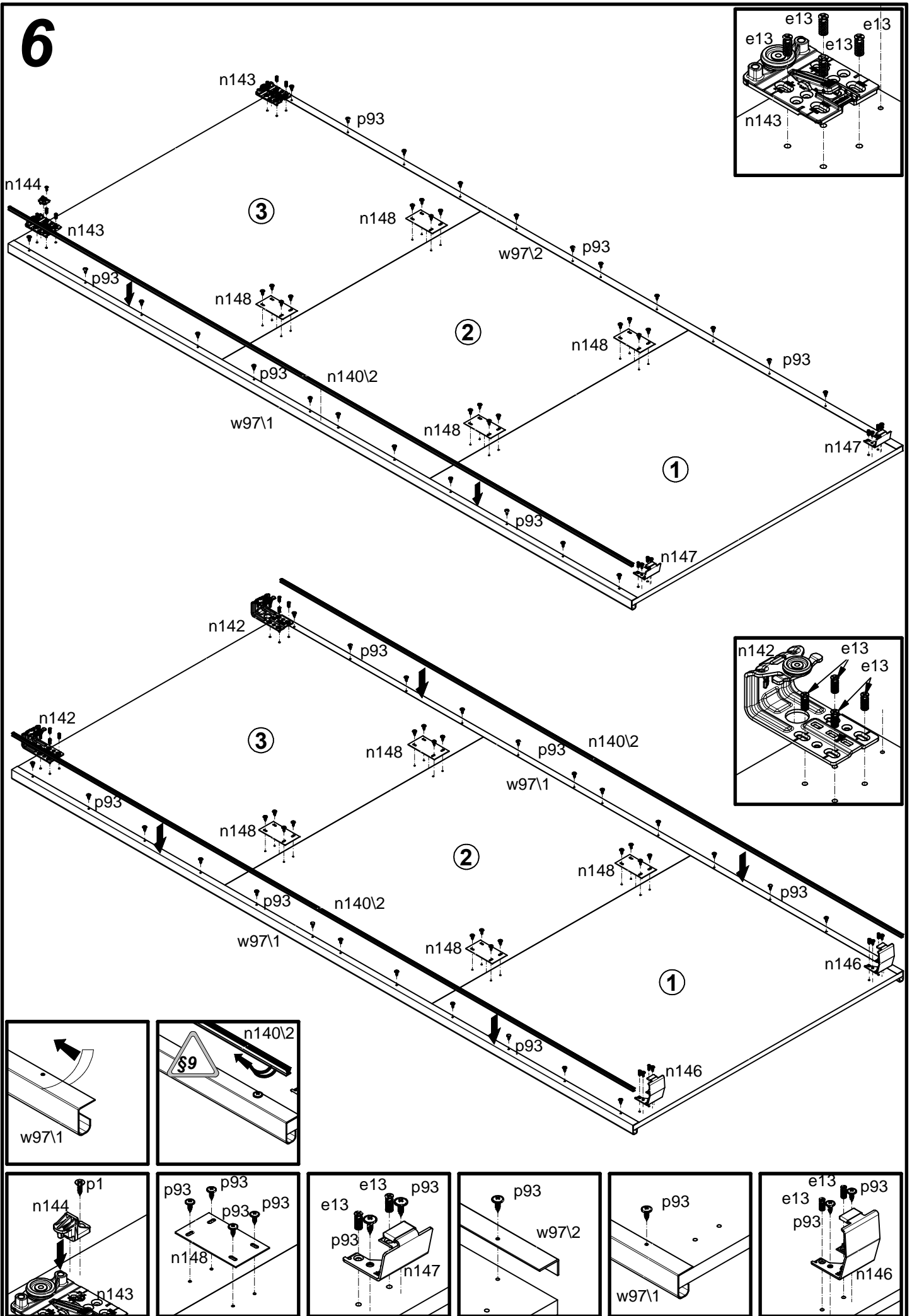
4



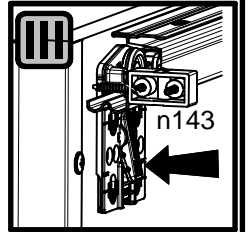
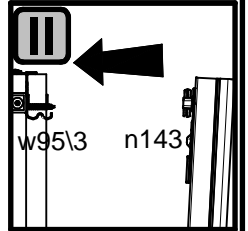
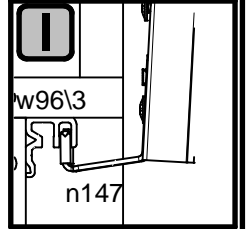
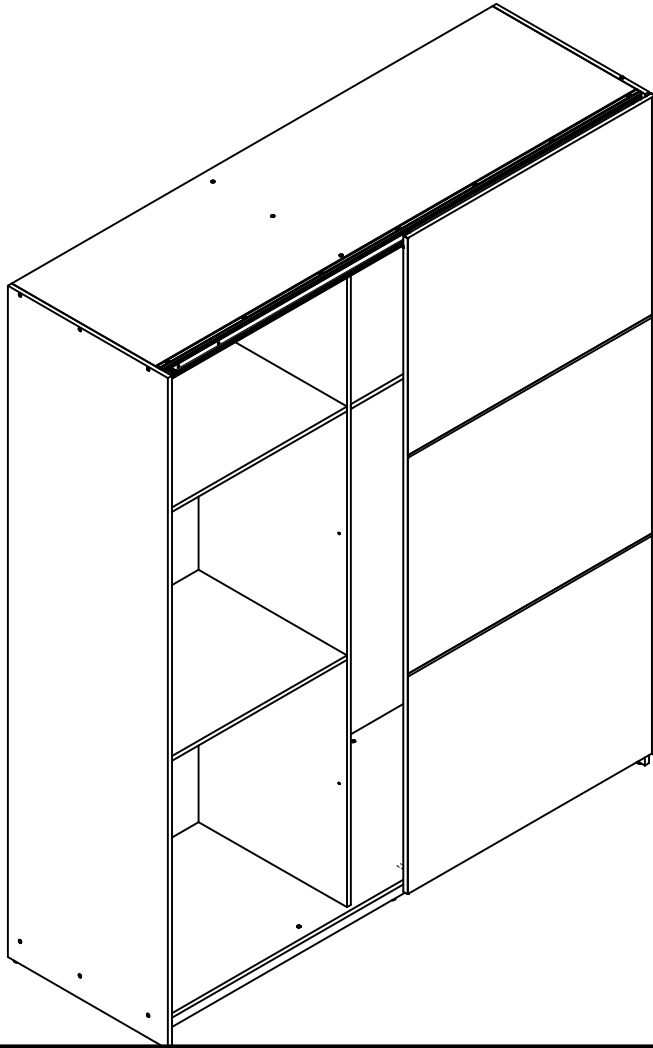
5



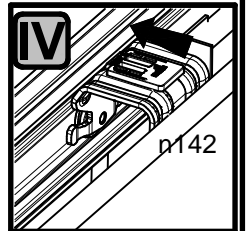
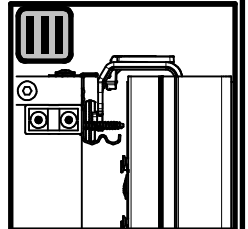
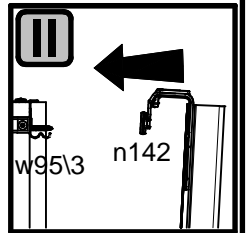
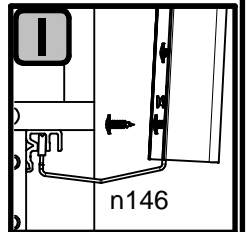
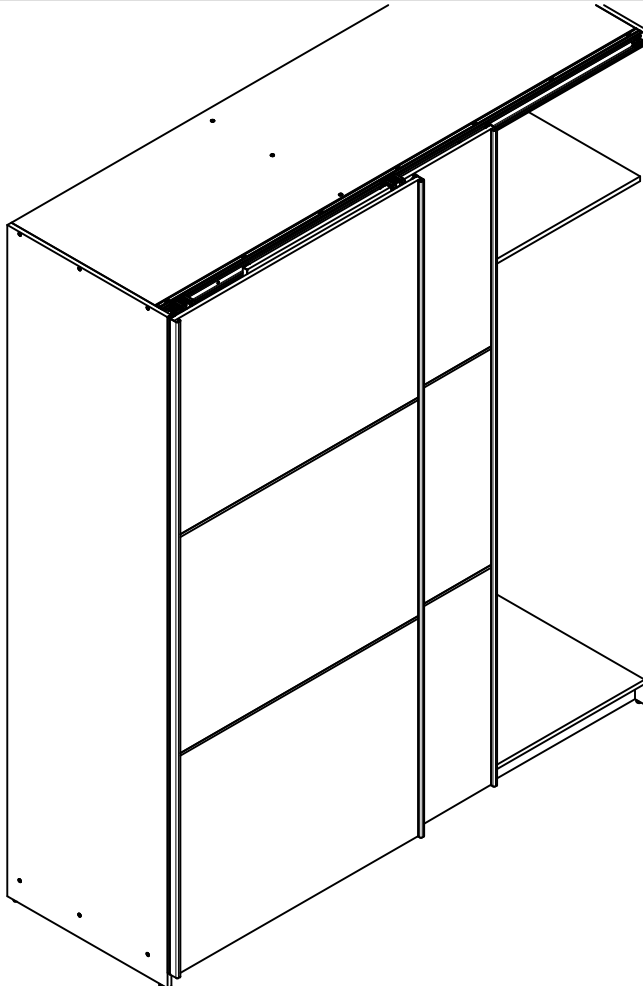
6



7



8



9

