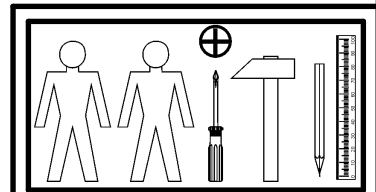
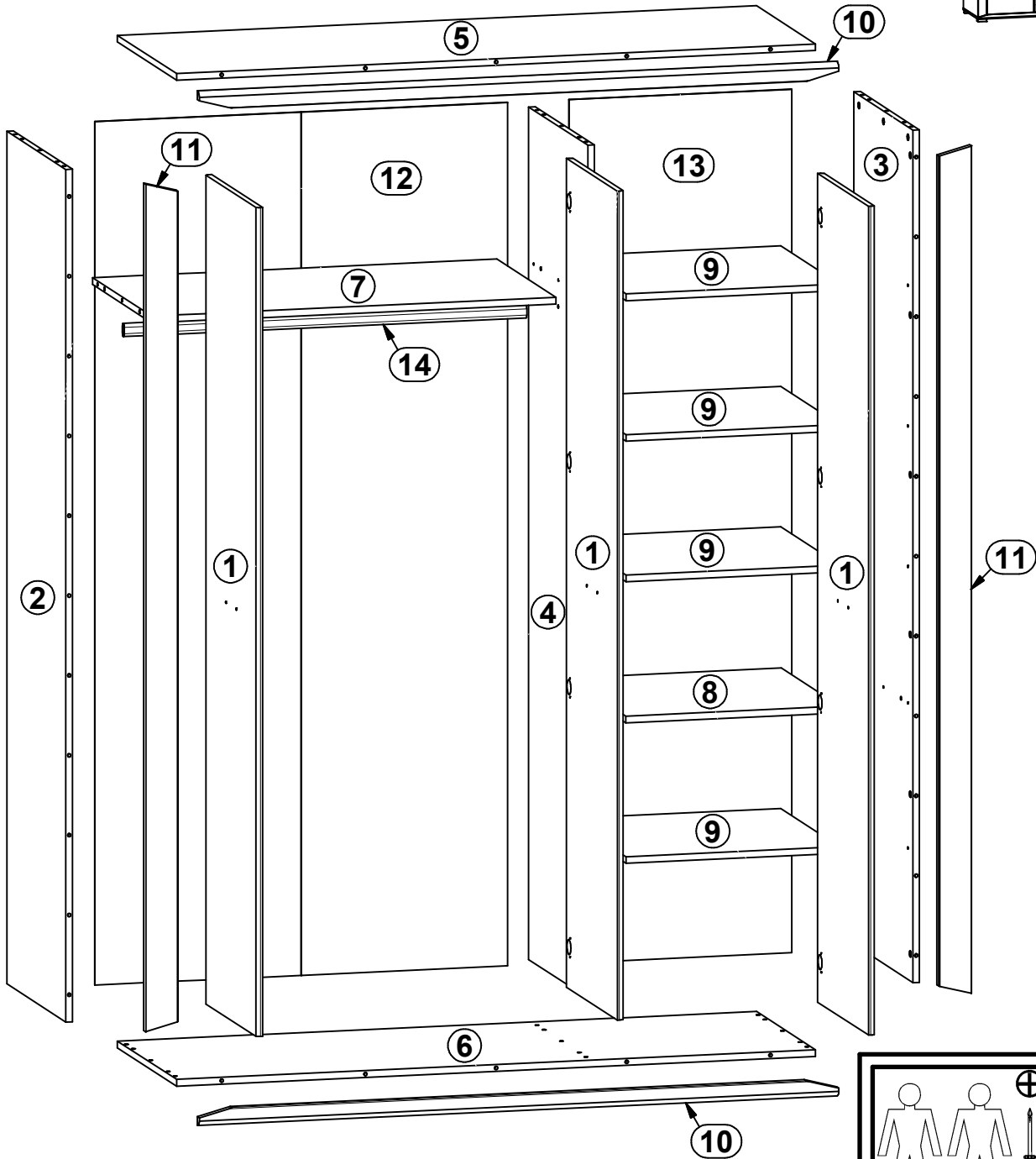
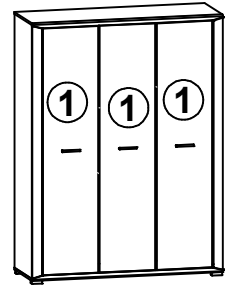


PALEMO

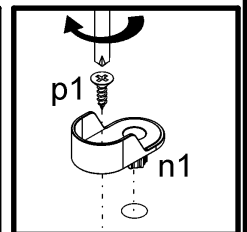
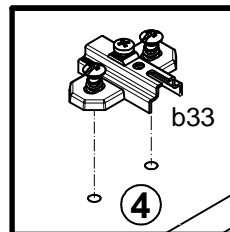
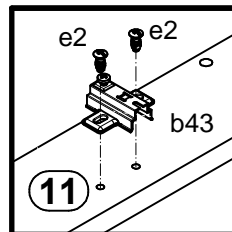
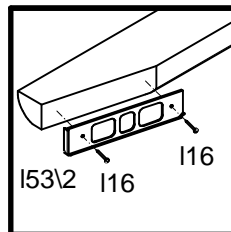
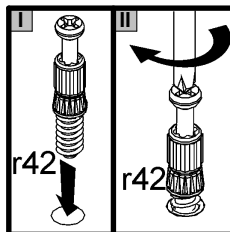
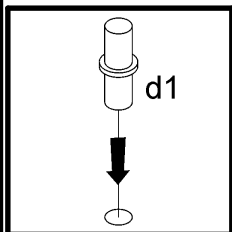
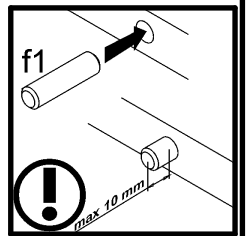
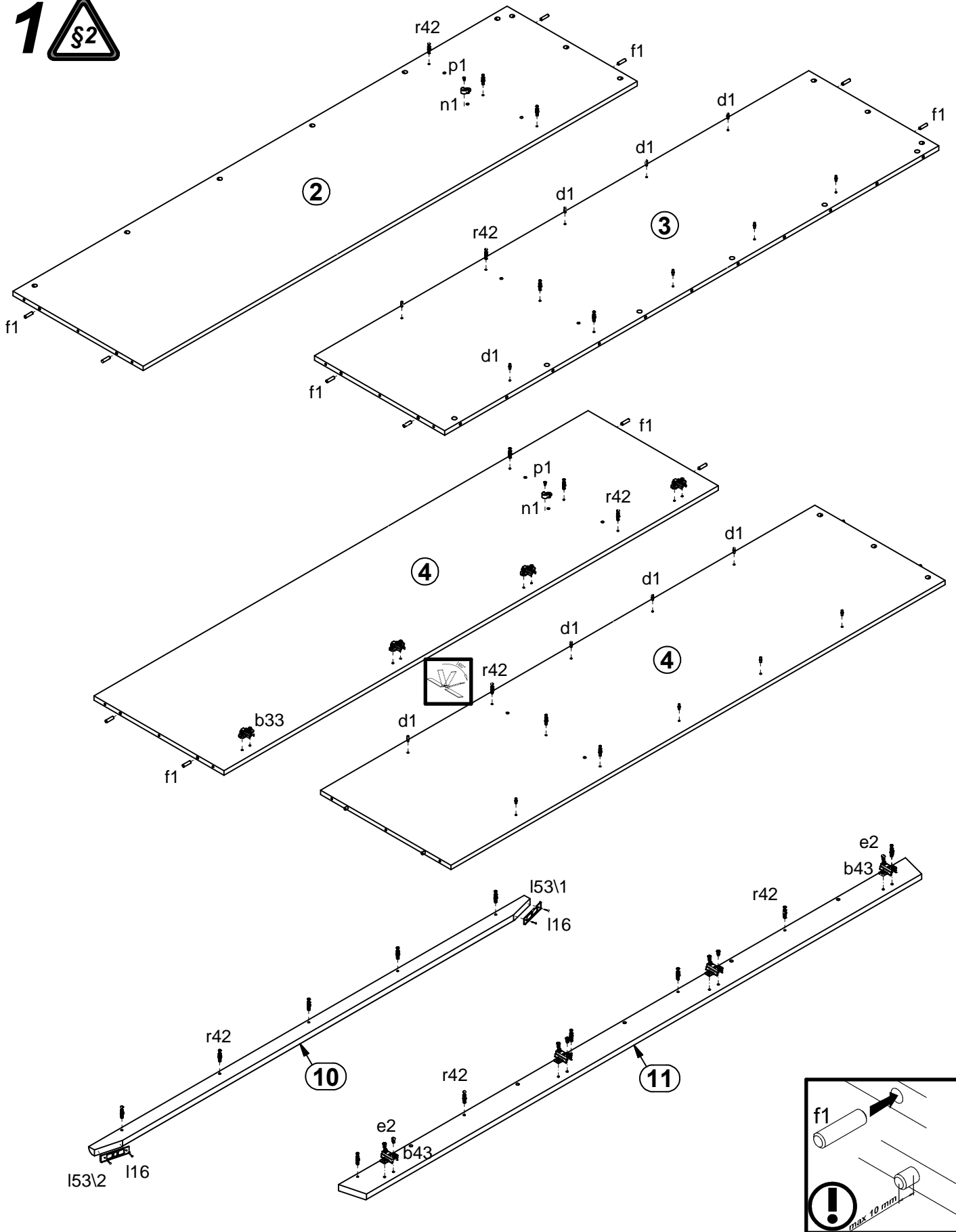
S159-SZF3D

A	B	C	D	A	B	C	D		
1	S159-010	1993	465	5/5	8	S159-307	525	540	2/5
2	S159-122	2050	540	1/5	9	S159-308	524	540	3/5
3	S159-123	2050	540	1/5	10	S159-581	1566	42	4/5
4	S159-124	2050	540	1/5	11	S159-582	2038	80	4/5
5	S159-213	1565	540	2/5	12	S159-913	2076	1011	1/5
6	S159-214	1565	540	2/5	13	S159-914	2076	545	1/5
7	S159-306	990	540	2/5	14	dr-986	986	30	1/5

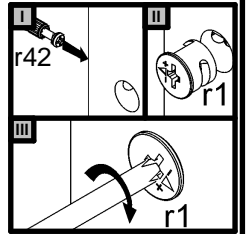
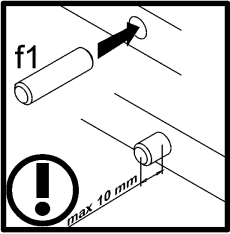
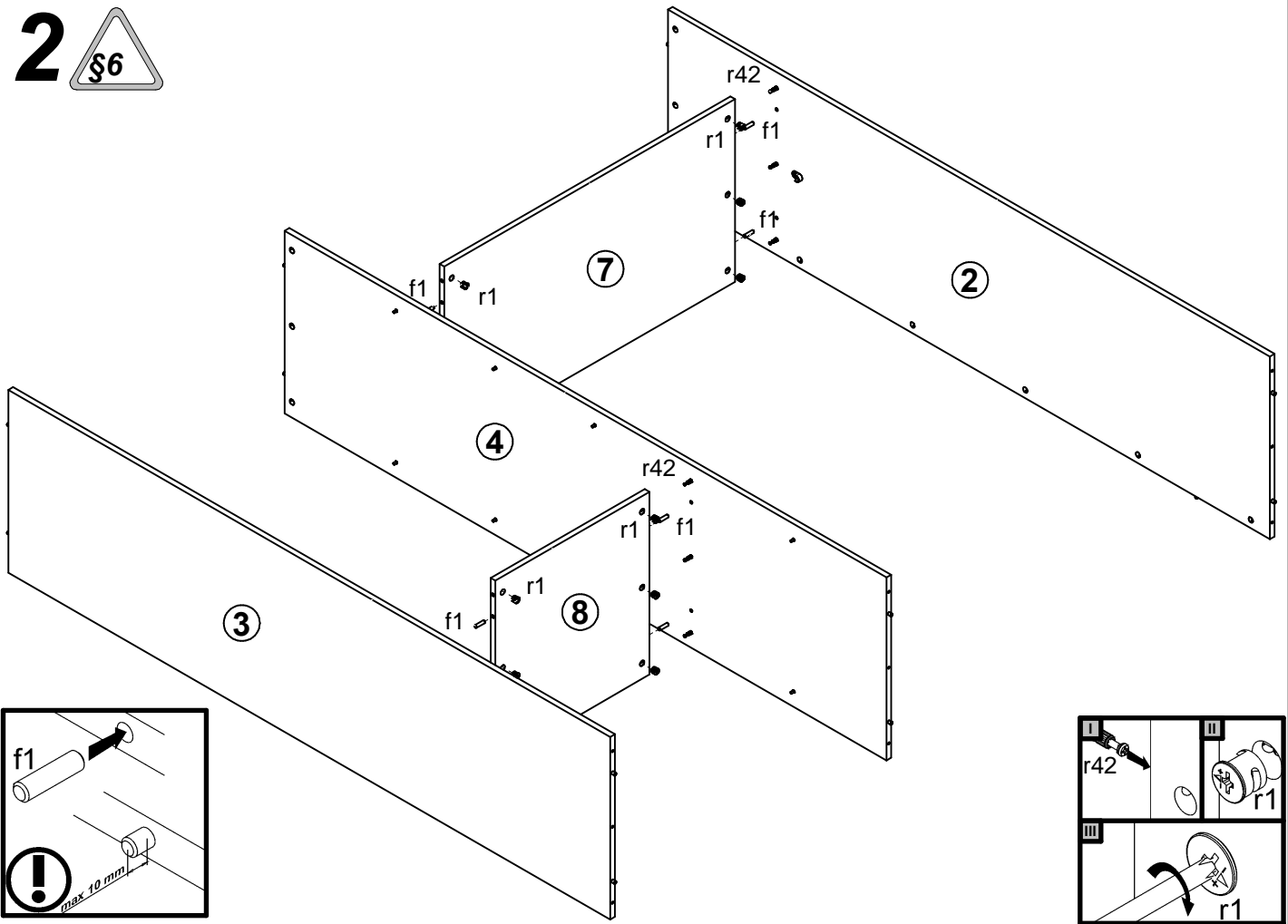


4x K9.5 a68	8x a99	4x b33	8x b43	3x c335	16x φ5x17 mm d1	9x φ7x50 mm e1	16x φ6,3x13 mm e2	30x φ8x30 mm f1
5x 84x40x25mm k77	130x l1	8x 1,0x12 mm l16	2x l53/1	2x l53/2	2x n1	2x φ3,5x13 mm p1	10x φ4x25 mm p36	24x φ3,5x15 mm p51
6x φ4x22 mm p60	43x φ15x12mm #16 r1	43x r42	32x ø16 s2	1x z1				

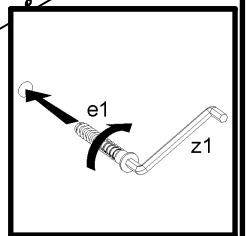
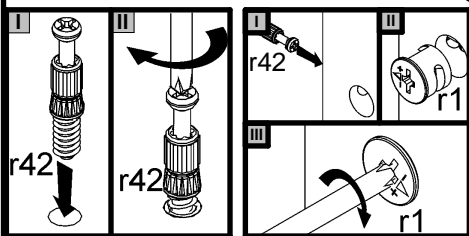
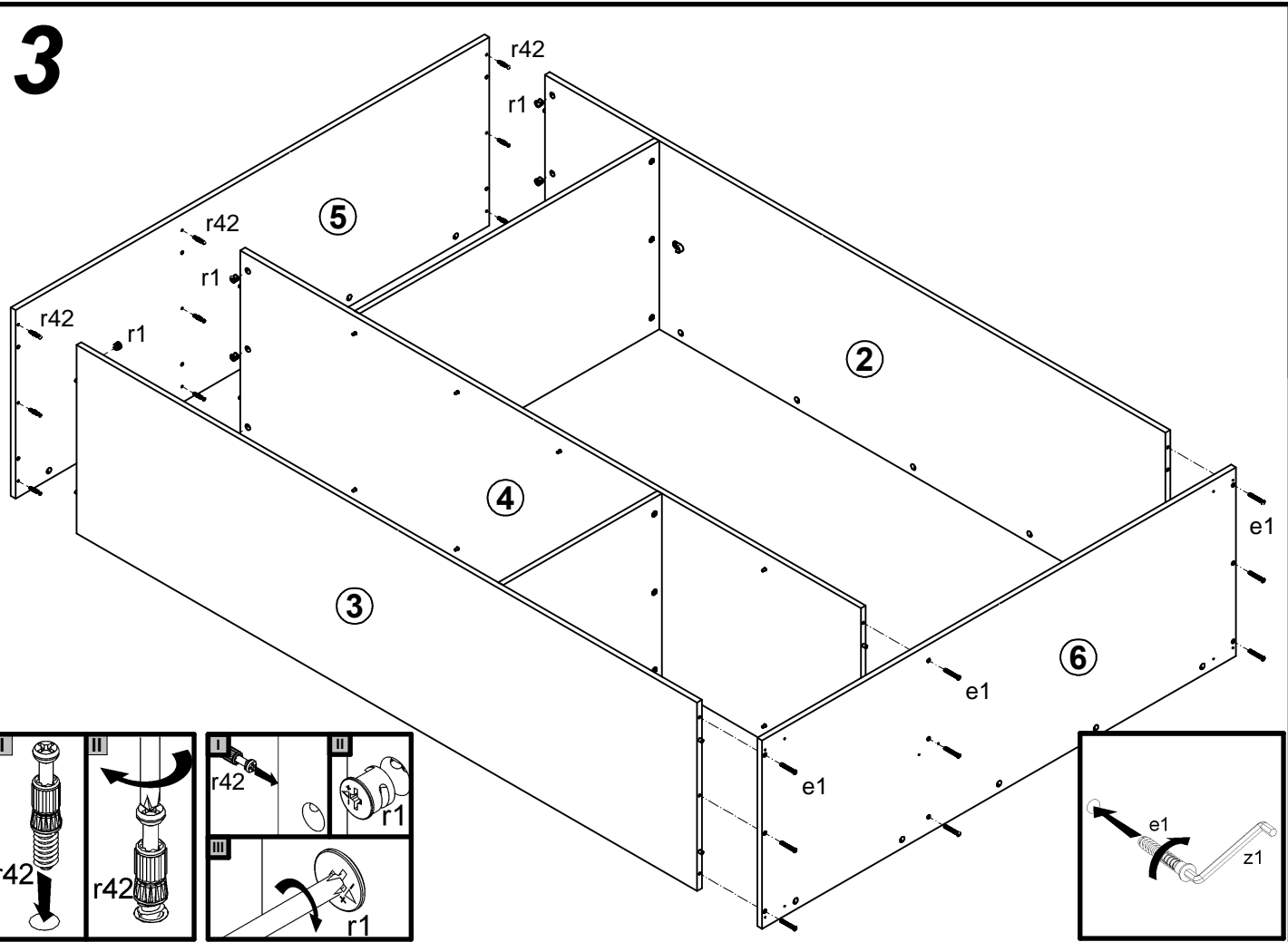
1 



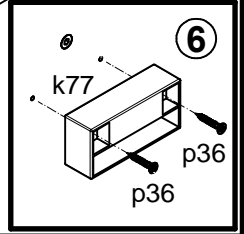
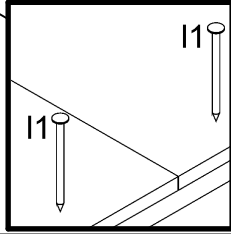
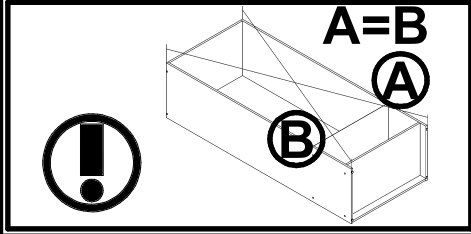
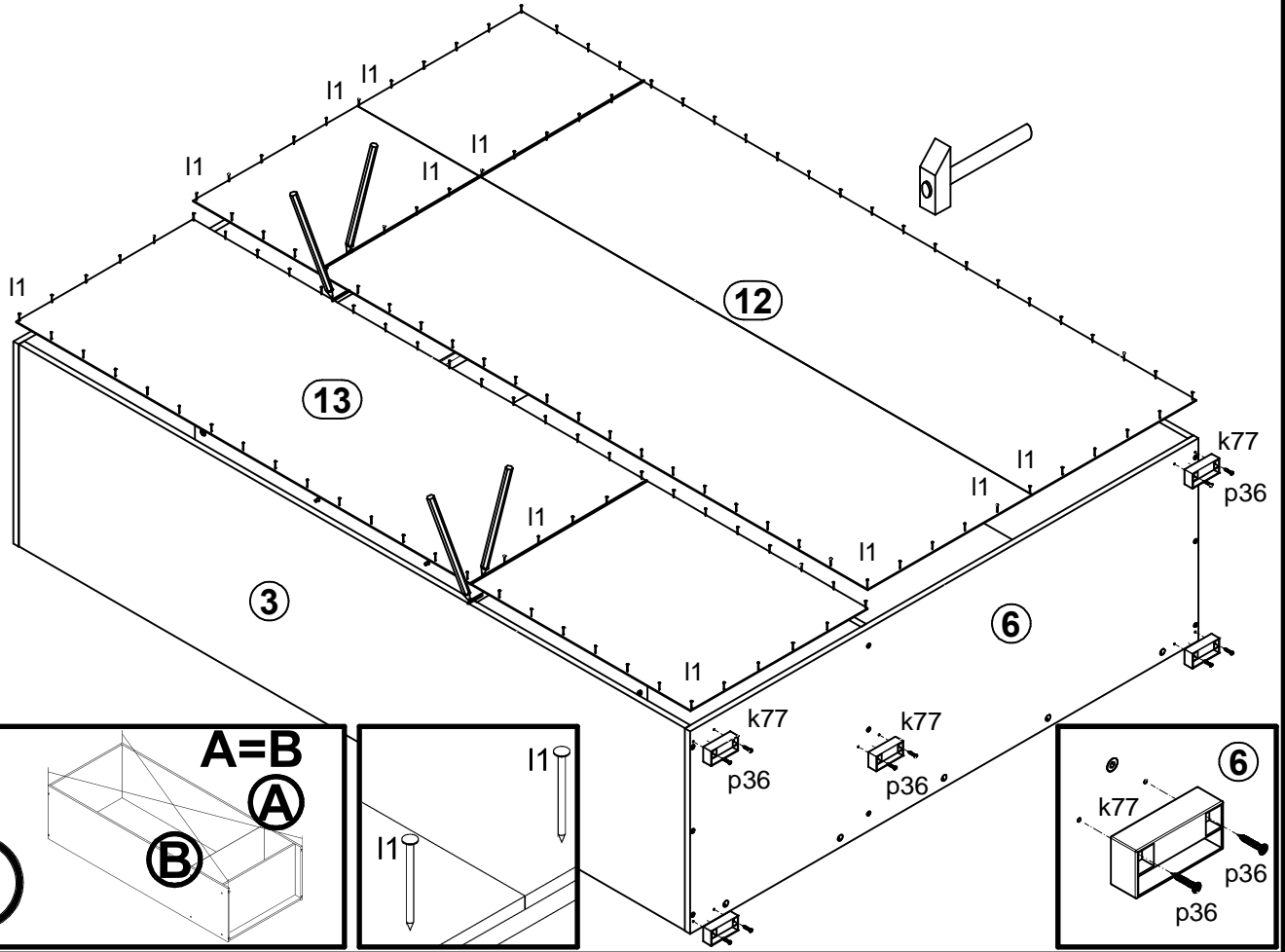
2



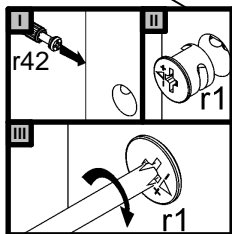
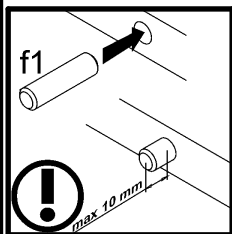
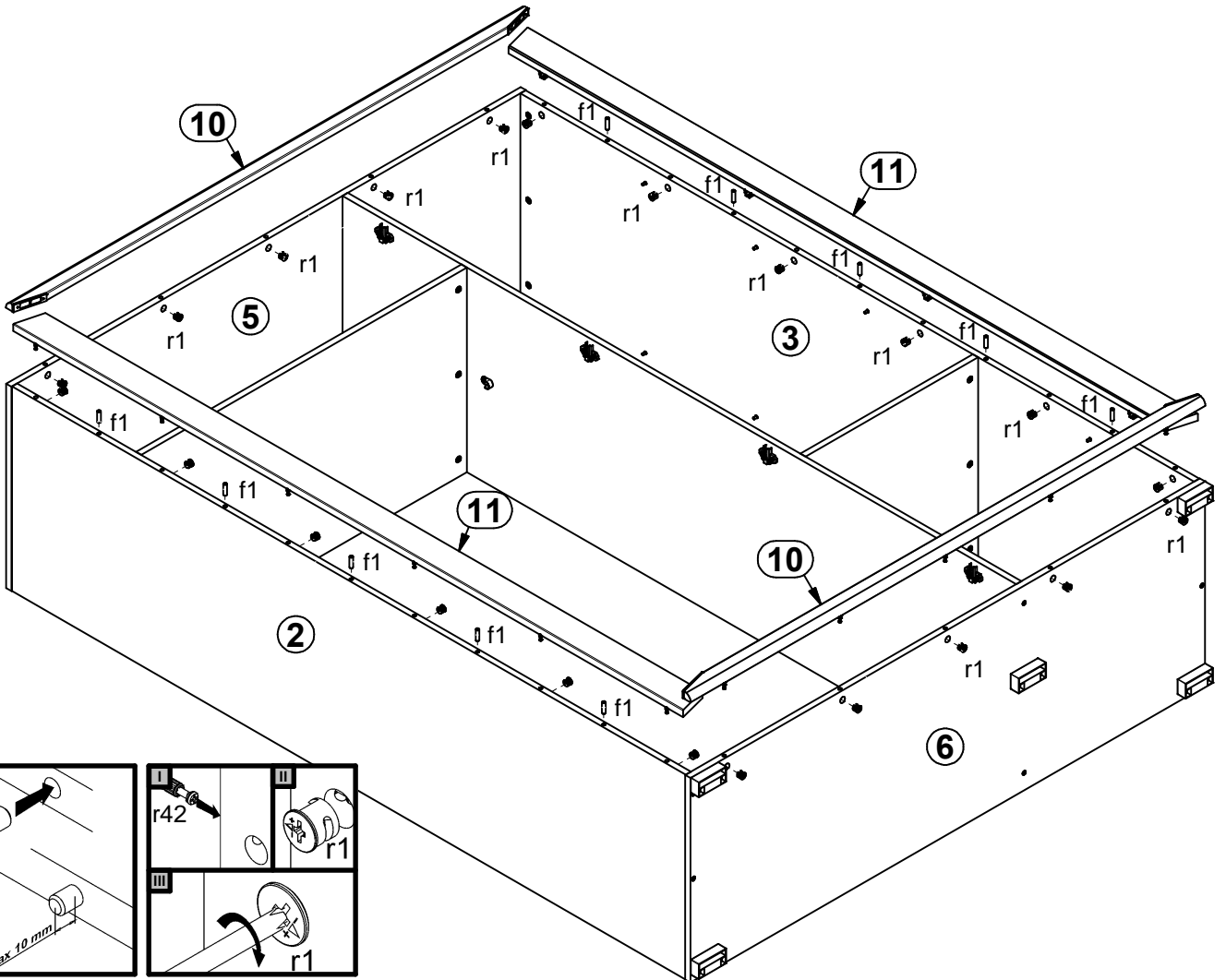
3



4



5



6

