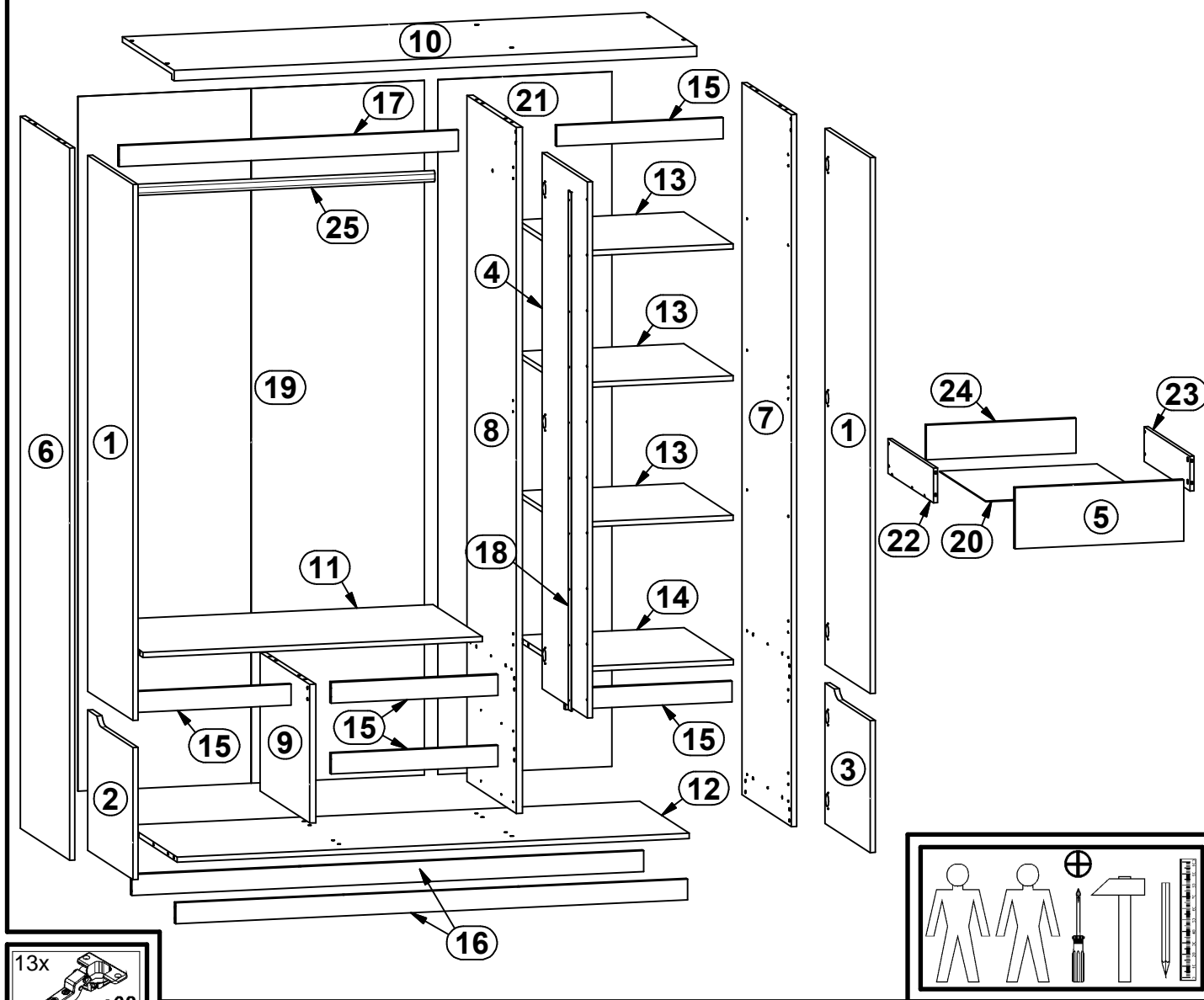
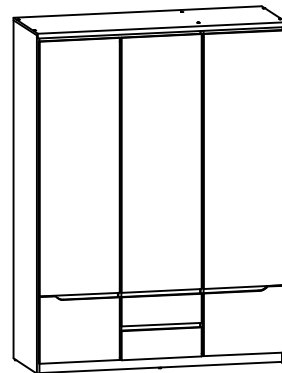
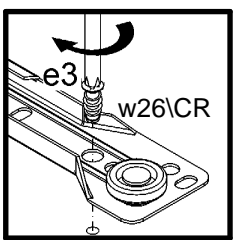
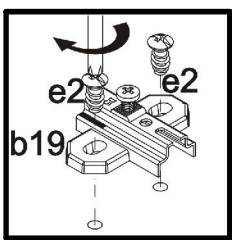
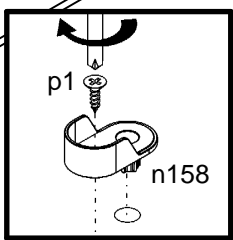
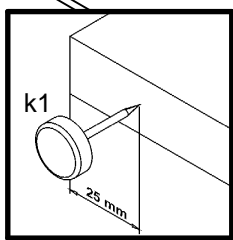
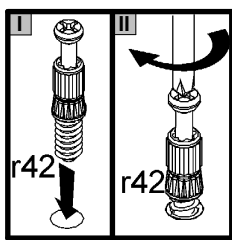
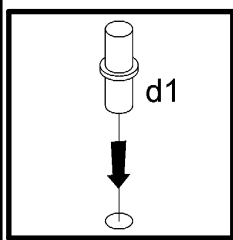
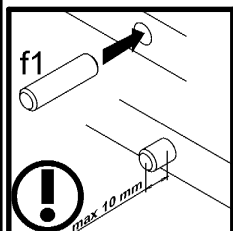
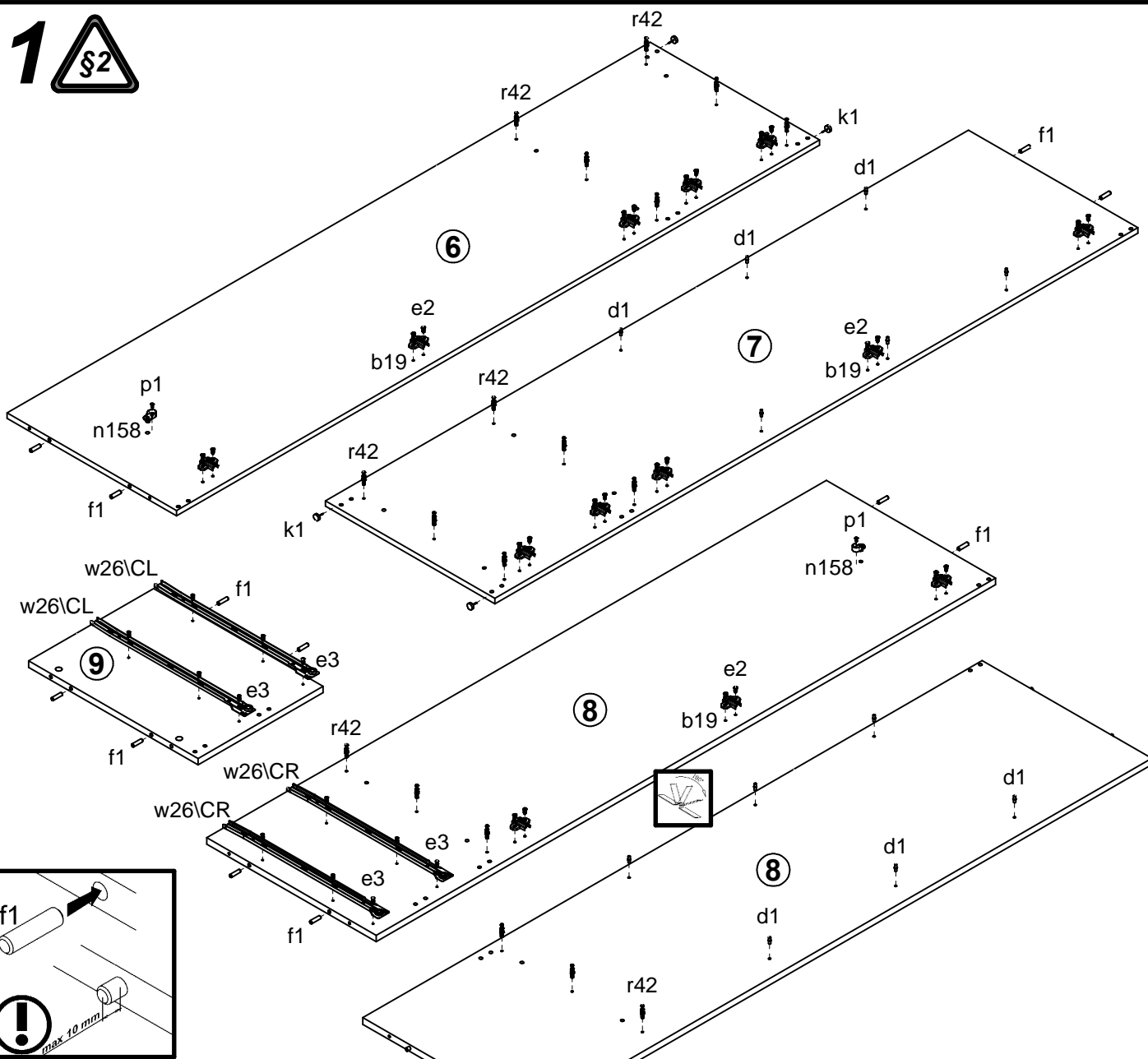


A	B	C	D	A	B	C	D		
1	S162-010	1543	494	4/4	14	S162-310	488	540	2/4
2	S162-011	404	494	4/4	15	S162-405	488	60	2/4
3	S162-012	404	494	4/4	16	S162-406	1500	60	2/4
4	S162-014	1543	494	4/4	17	S162-411	994	60	2/4
5	S162-015	494	176	4/4	18	S162-504	1493	29	1/4
6	S162-114	2050	540	1/4	19	S162-910	2000	1015	1/4
7	S162-115	2050	540	1/4	20	S162-911	461	505	2/4
8	S162-116	1975	540	1/4	21	S162-912	2000	510	1/4
9	S162-117	399	540	2/4	22	ZS3-529	500	100	2/4
10	S162-205	1532	566	2/4	23	ZS3-530	500	100	2/4
11	S162-307	994	540	2/4	24	ZS3-5521	439	100	2/4
12	S162-308	1500	540	2/4	25	dr-990	990	30	2/4
13	S162-309	487	539	2/4					

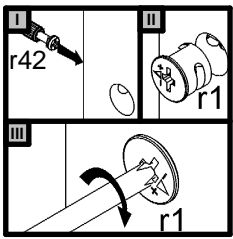
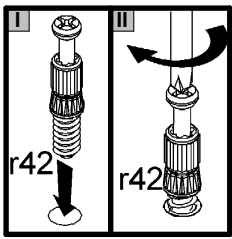
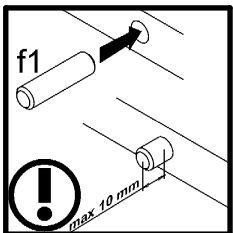
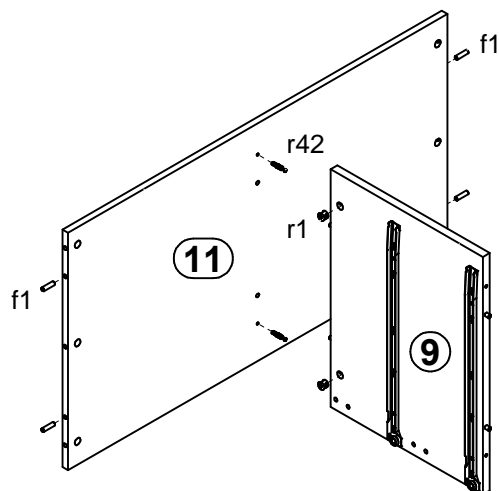


13x a68	13x b19	12x d1 Ø5x17 mm	10x e1 Ø7x50 mm	12x e19 Ø5x9 mm	26x e2 Ø6.3x13 mm	12x e3 Ø6x13 mm	48x f1 Ø8x30 mm	6x f6 Ø8x50 mm	8x f25 Ø6.5x40 mm
6x k1	130x l1	1x n56 32x16x151 mm	2x n158	2x p1 Ø3.5x13 mm	2x p27 Ø3.5x13 mm	16x p38 Ø3.5x16 mm	26x p51 Ø3.5x15 mm	20x r1 Ø15x12 mm #16	
8x r15 Ø12x10.5 mm #12	28x r42	2x w26\CL 500 mm	2x w26\CR 500 mm	2x w26\DL 500 mm	2x w26\DR 500 mm	1x z1			

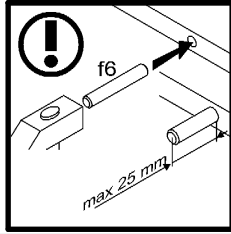
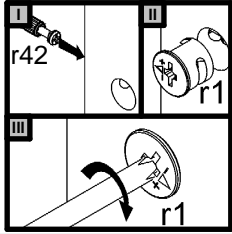
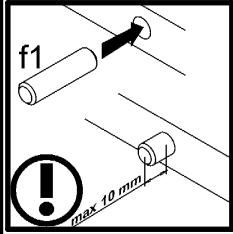
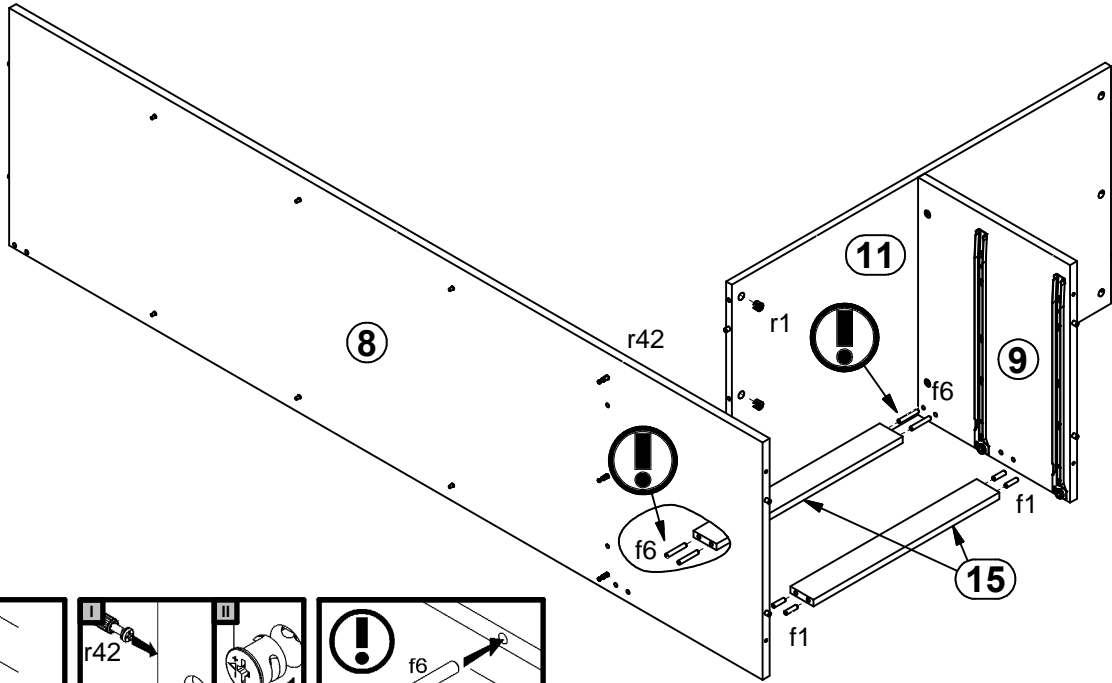
1



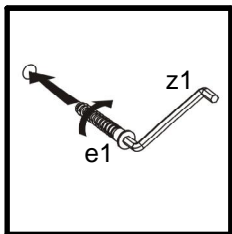
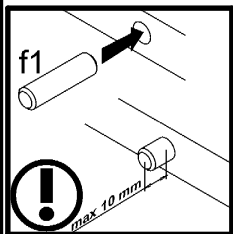
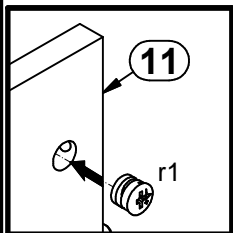
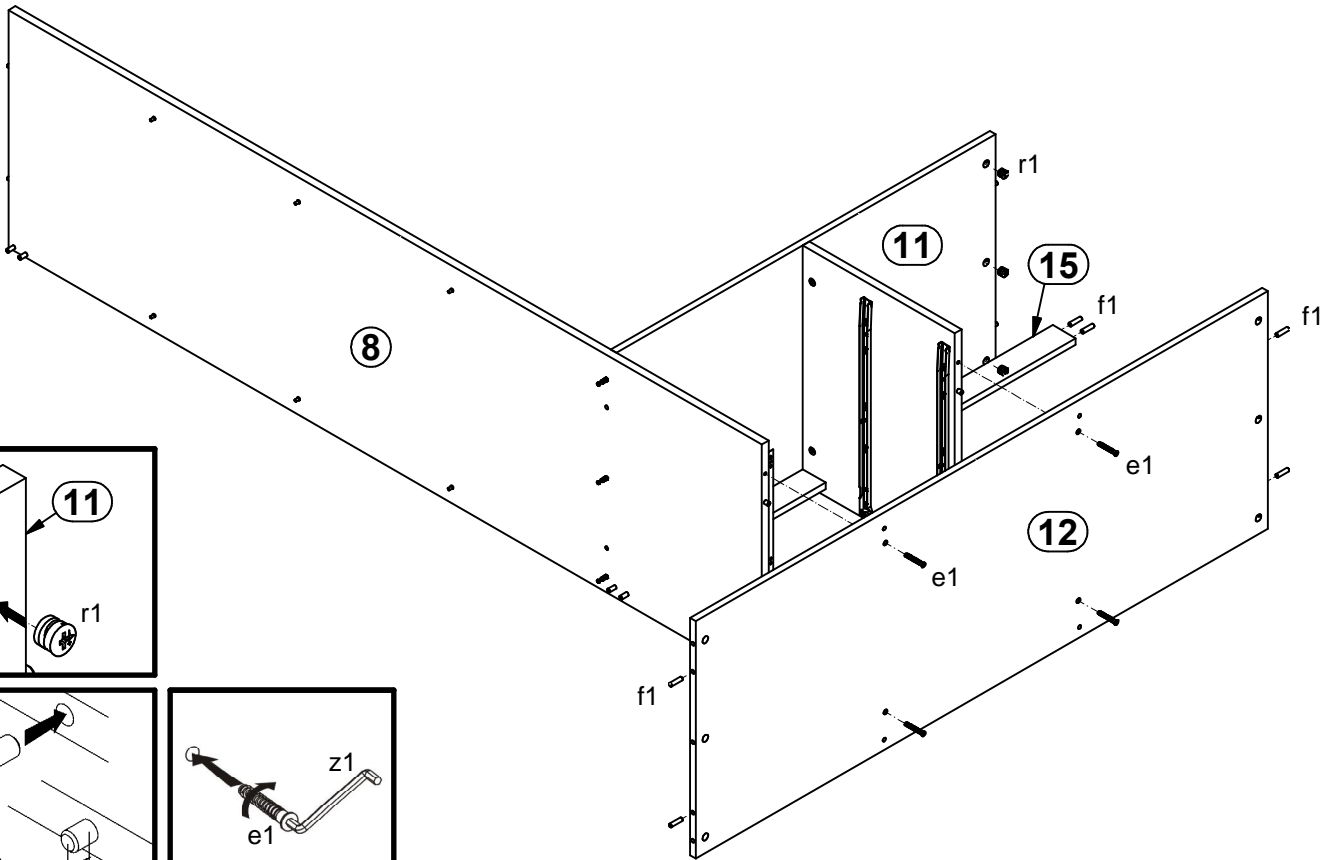
2



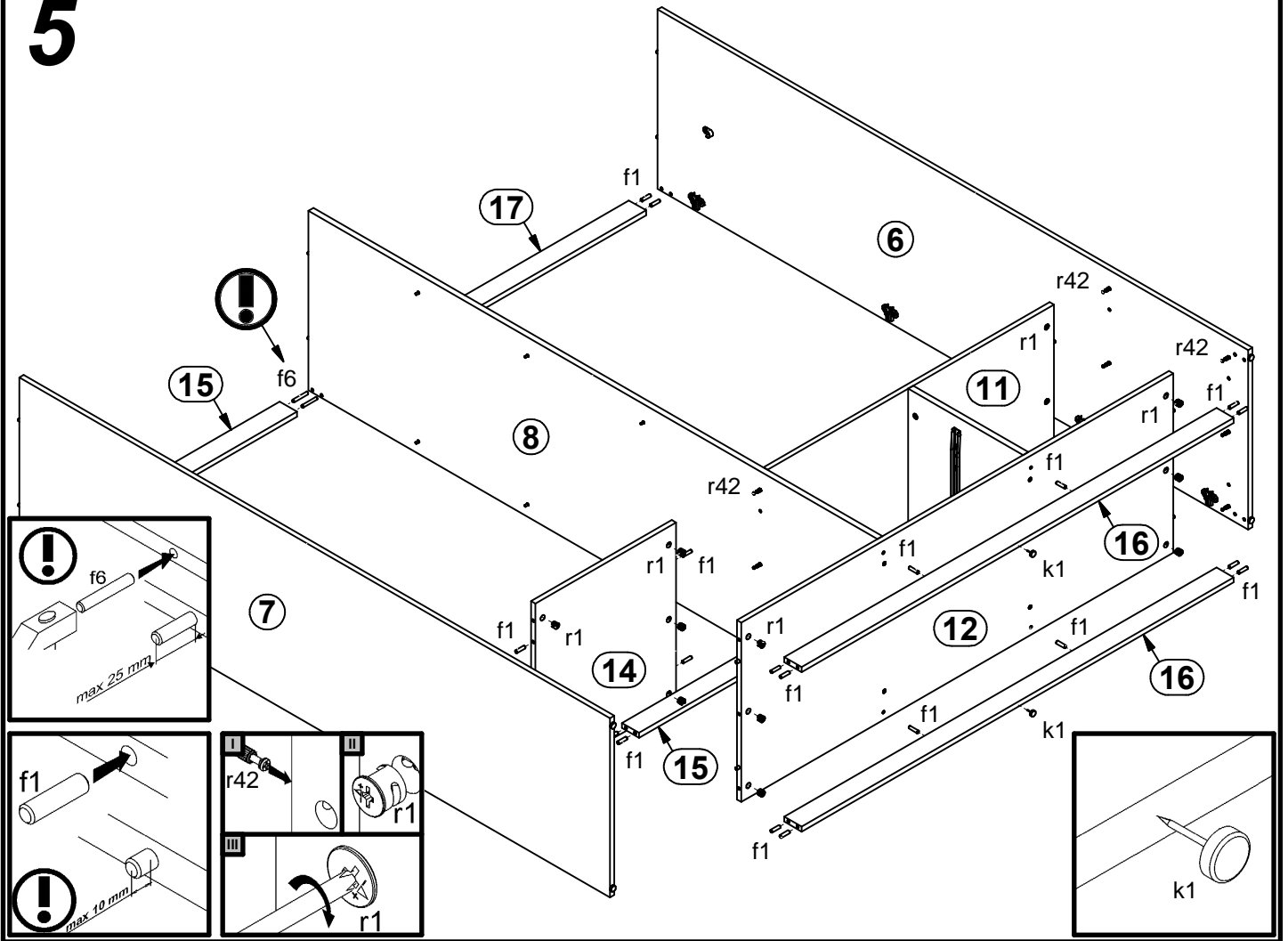
3



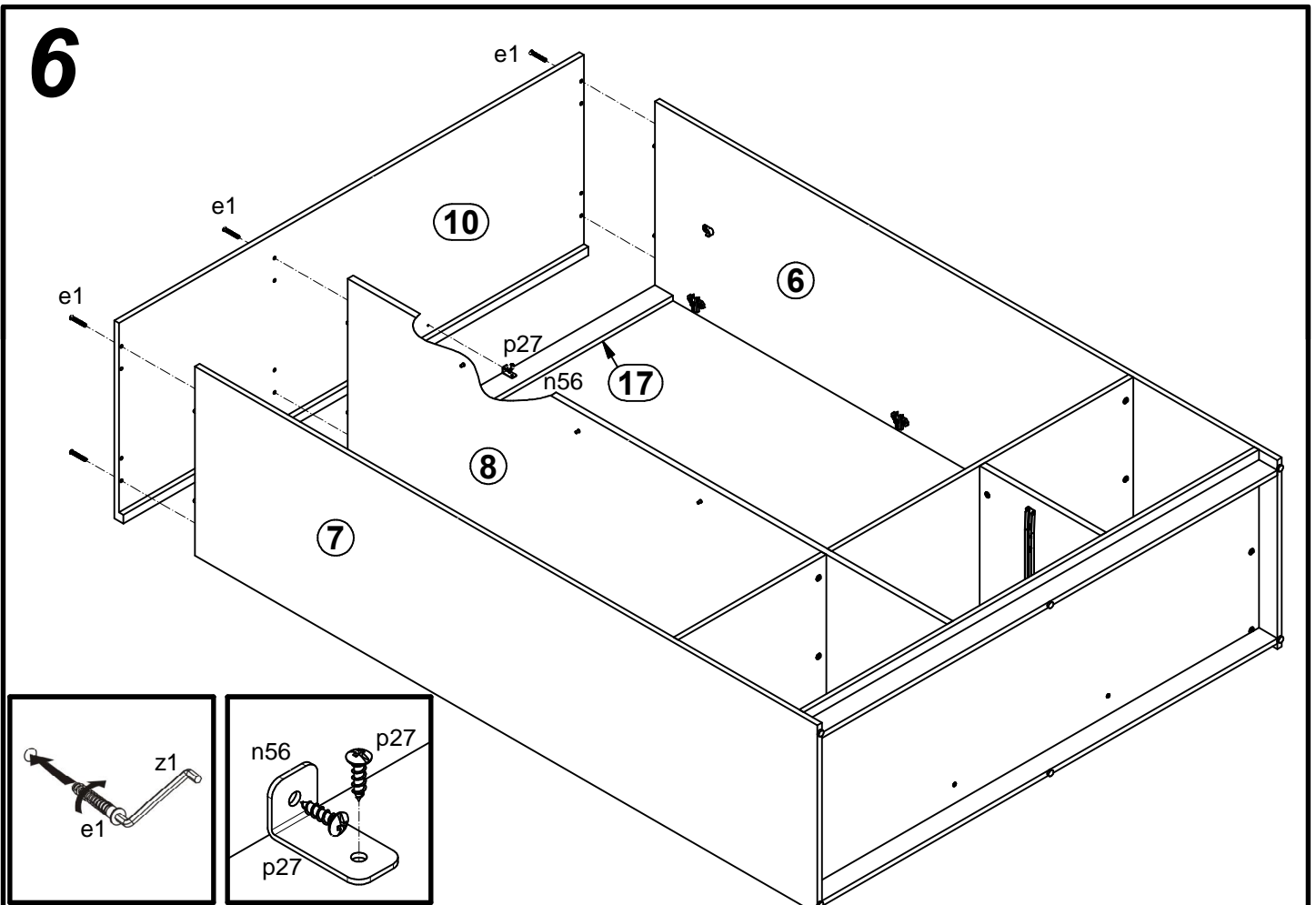
4



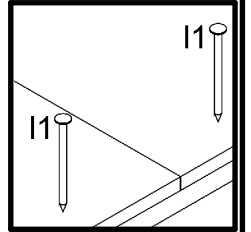
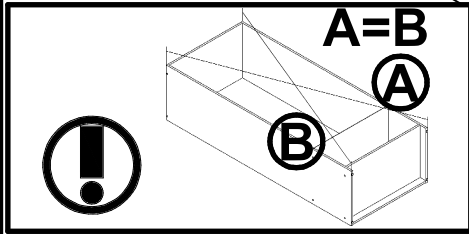
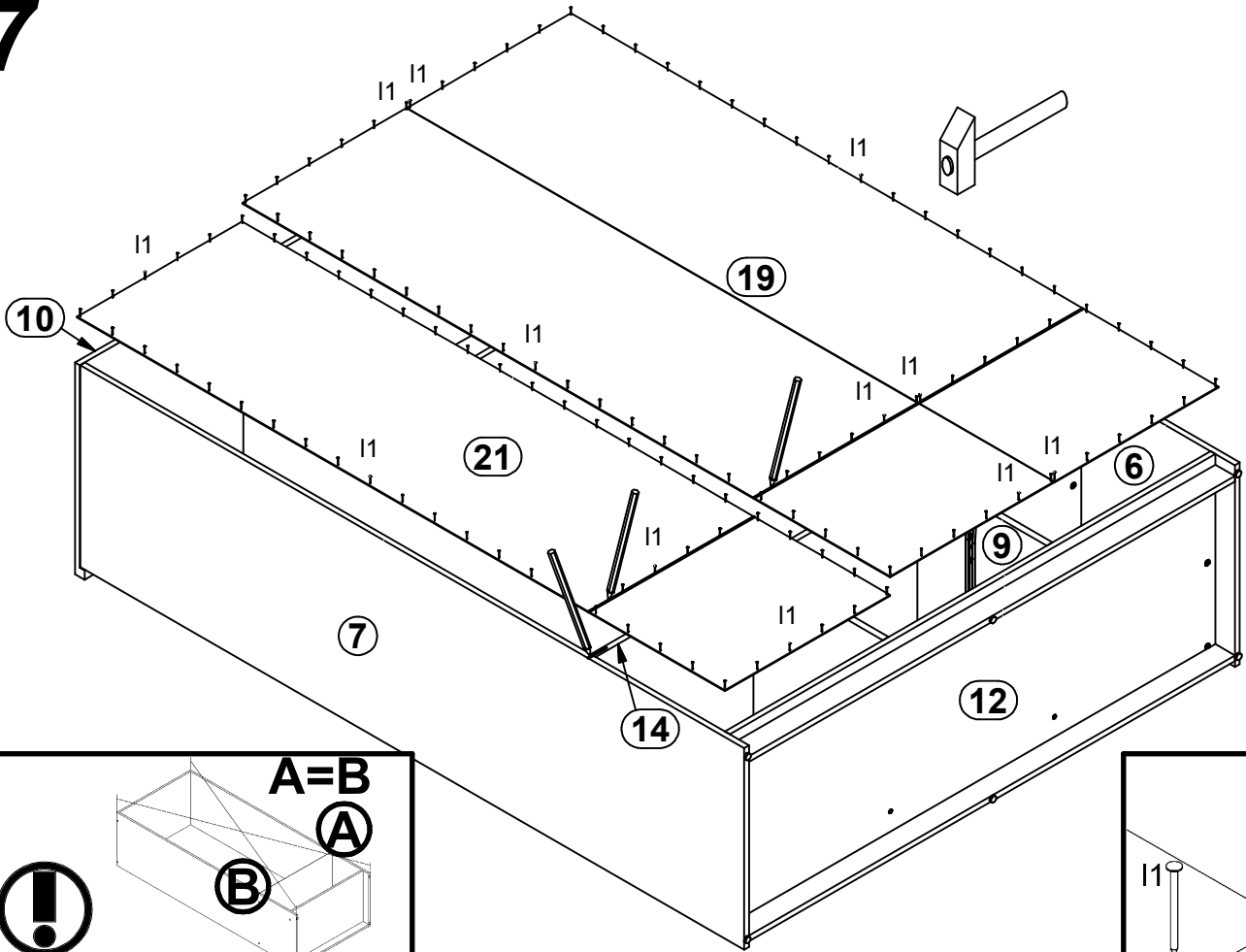
5



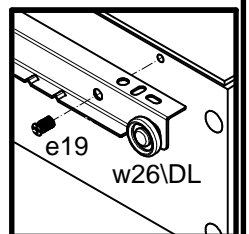
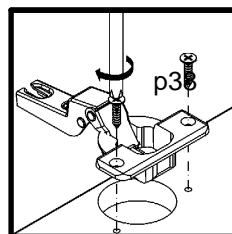
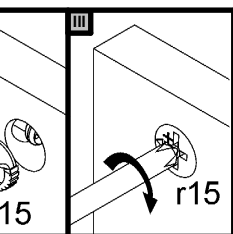
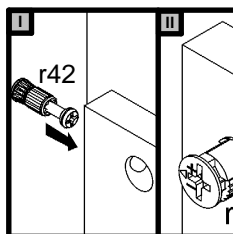
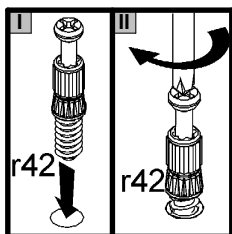
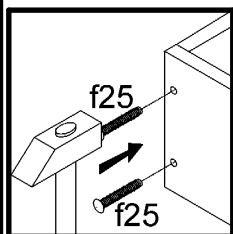
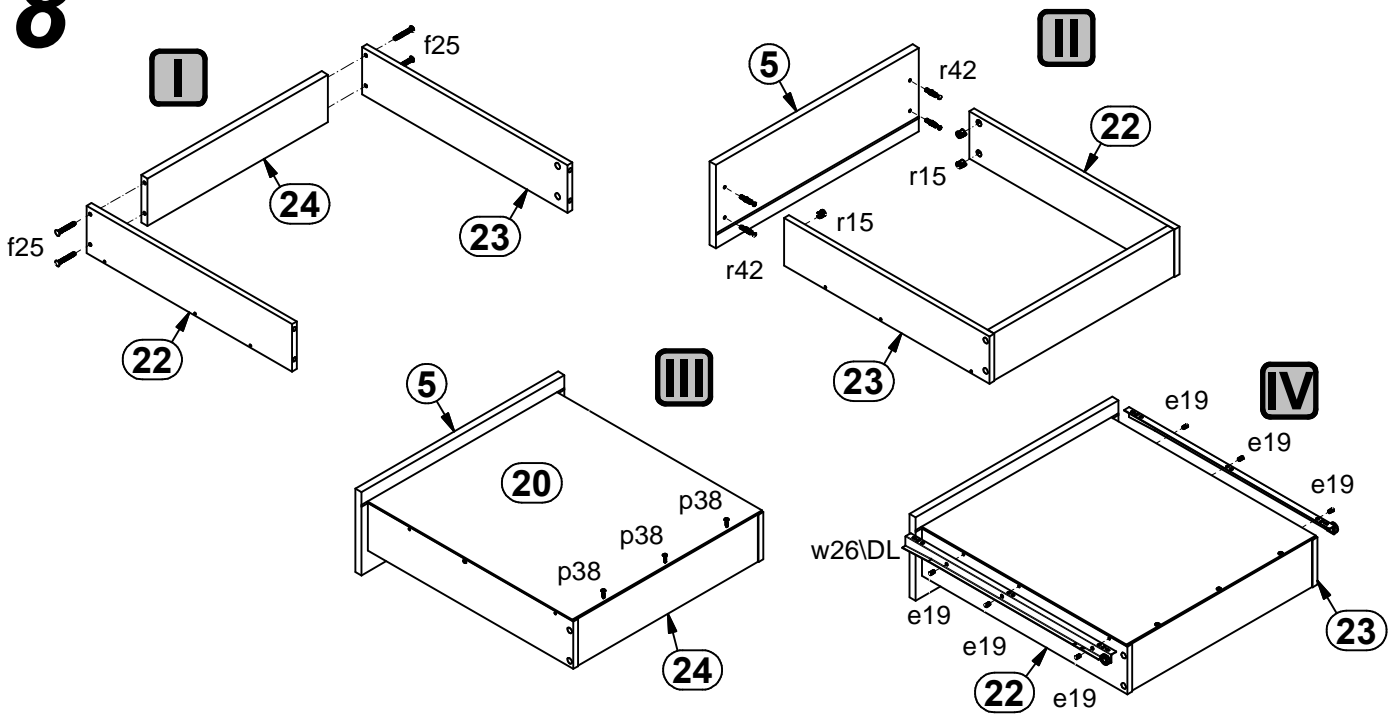
6



7



8



9

