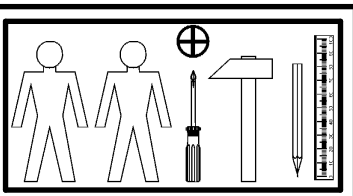
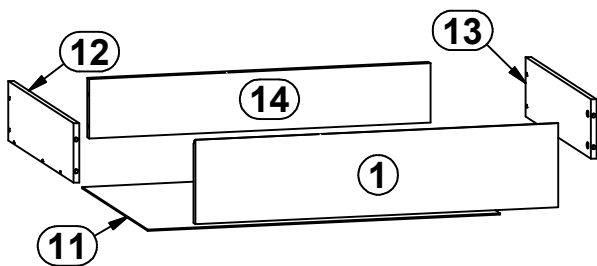
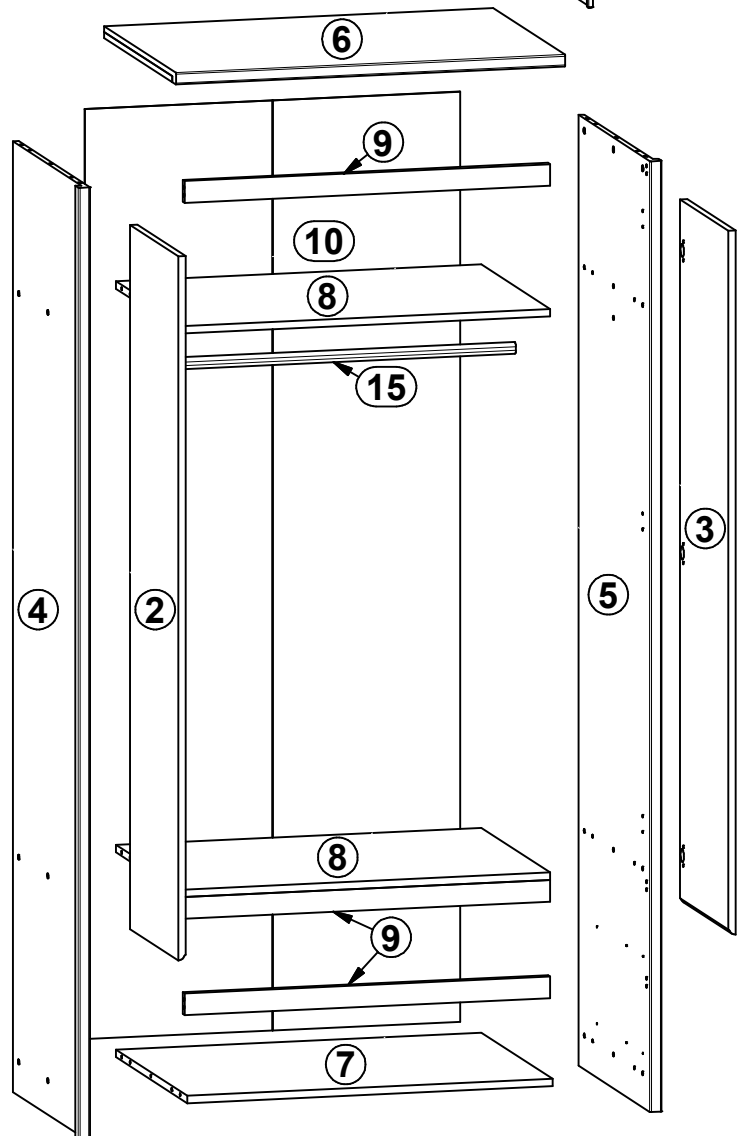
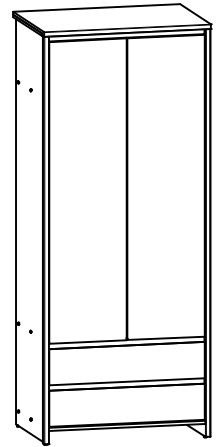


NUMLOCK

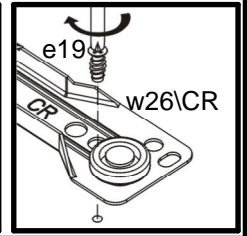
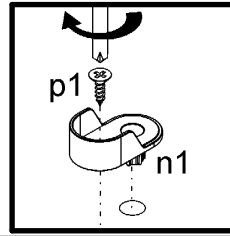
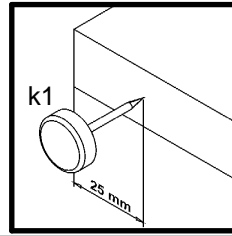
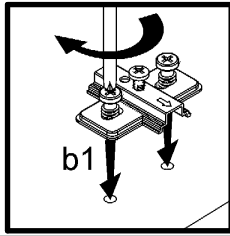
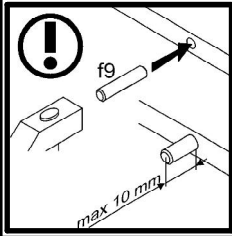
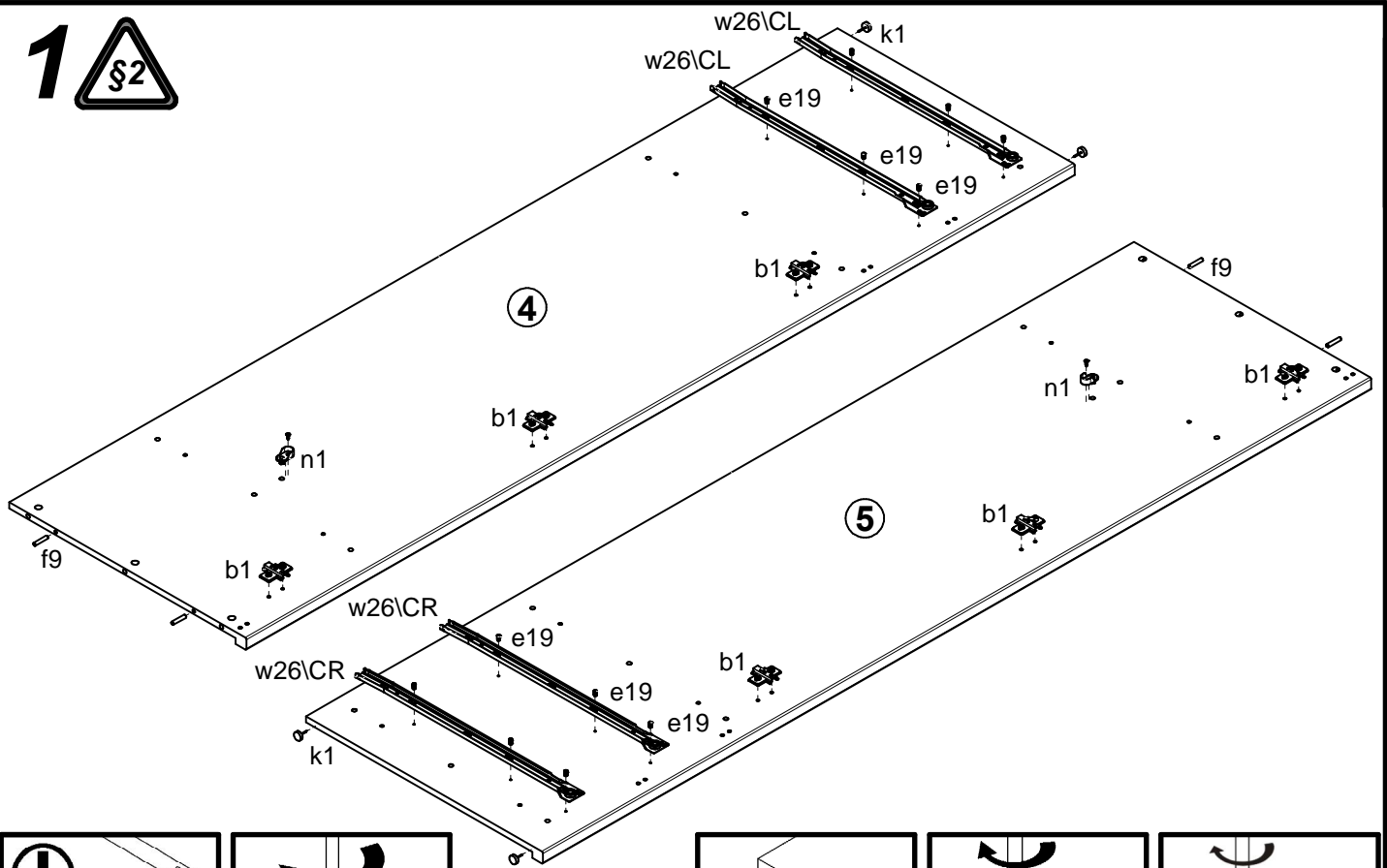
S161-SZF2D2S

A	B	C	D
1	S161-001	746	170
2	S161-005	1422	371
3	S161-006	1422	371
4	S161-107	1920	550
5	S161-108	1920	550
6	S161-203	800	553
7	S161-303	751	547
8	S161-304	751	529
9	S161-401	751	44
10	S161-905	1878	771
11	S161-906	724	505
12	ZS3-505	500	120
13	ZS3-506	500	120
14	ZS3-5501	702	120
15	dr-746	746	22

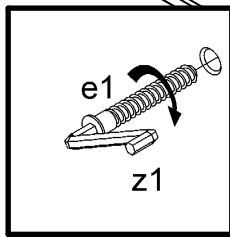
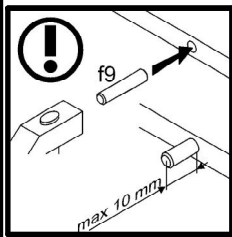
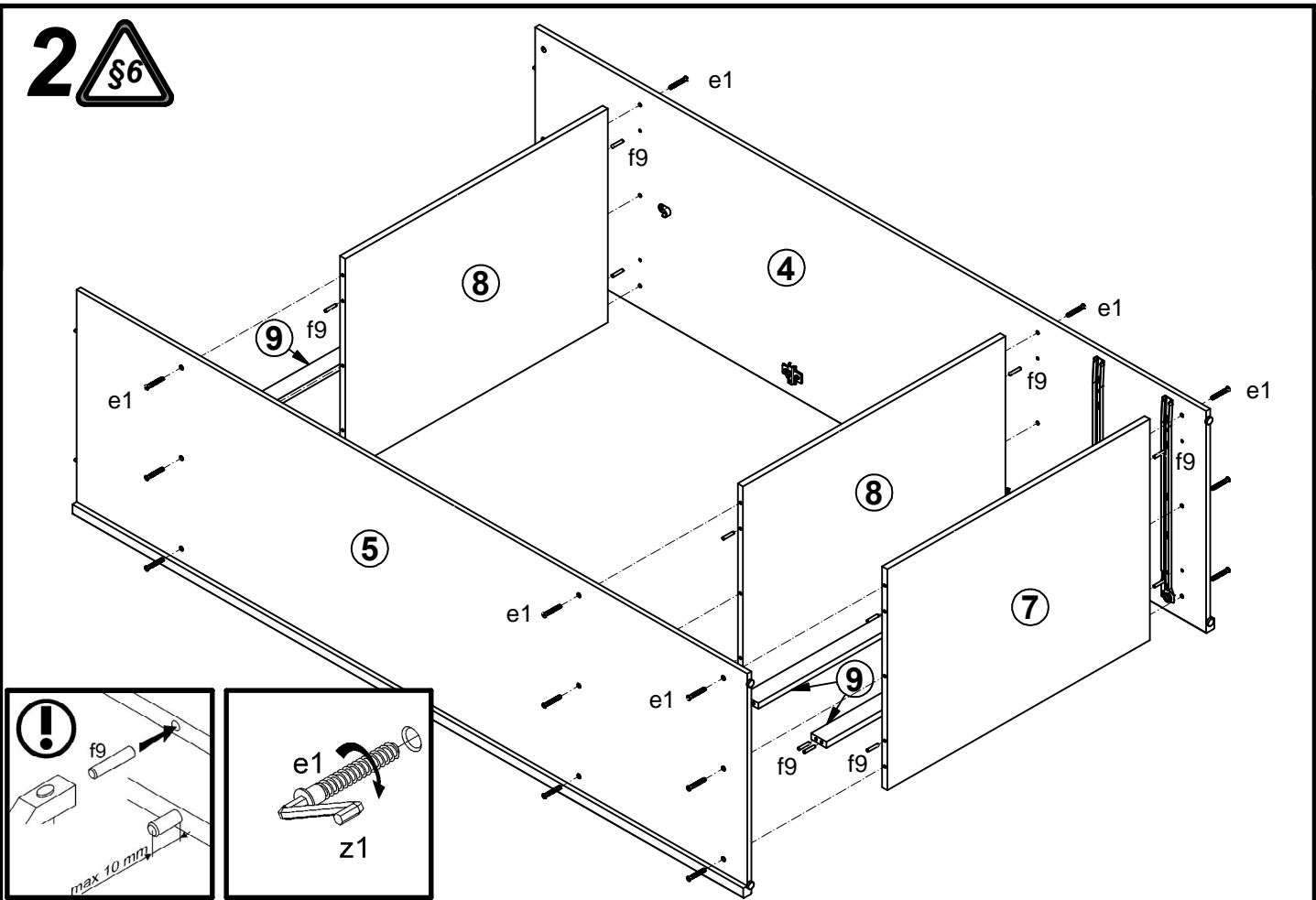


6x a1	6x b1	18x e1 φ7x50 mm	24x e19 φ5x9 mm	8x f25 φ6.5x40 mm	28x f9 φ6x30 mm	4x k1	70x l1	2x n1
2x p1 φ3.5x13 mm	2x p25 φ3.5x16 mm	2x p35 φ3.5x10 mm	8x p38 φ3.5x16 mm	14x r15 φ12x10.5mm #12	14x r42	2x t34 500 mm	2x w26\CL 500 mm	2x w26\CR 500 mm
2x w26\DL 500 mm	2x w26\DR 500 mm	18x s1	6x s34 ø12	1x z1	1x n26\1	1x p38 φ3.5x16 mm		

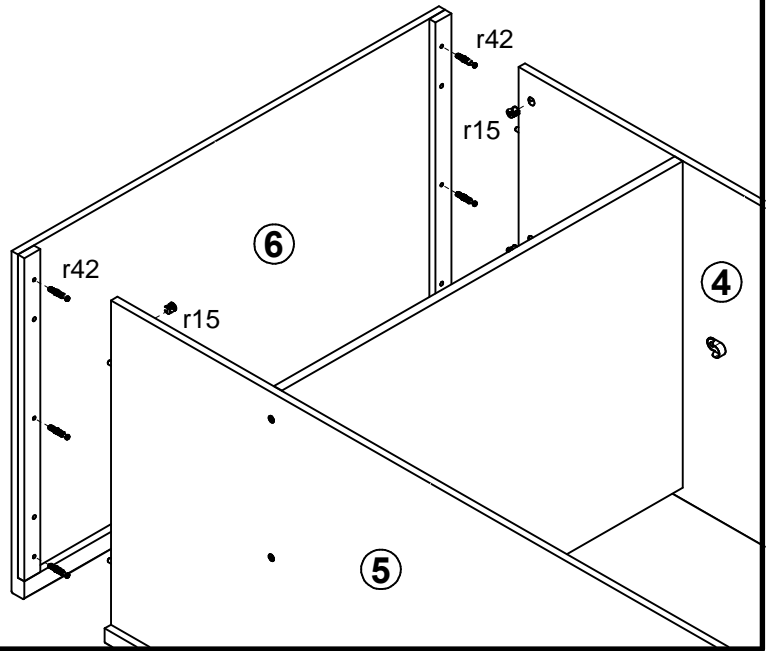
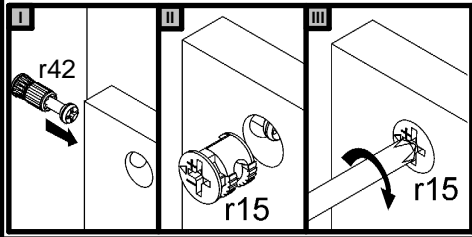
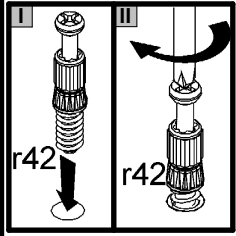
1



2



3



4

