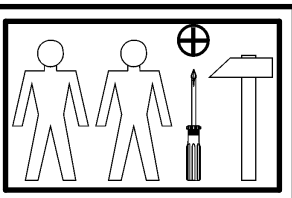
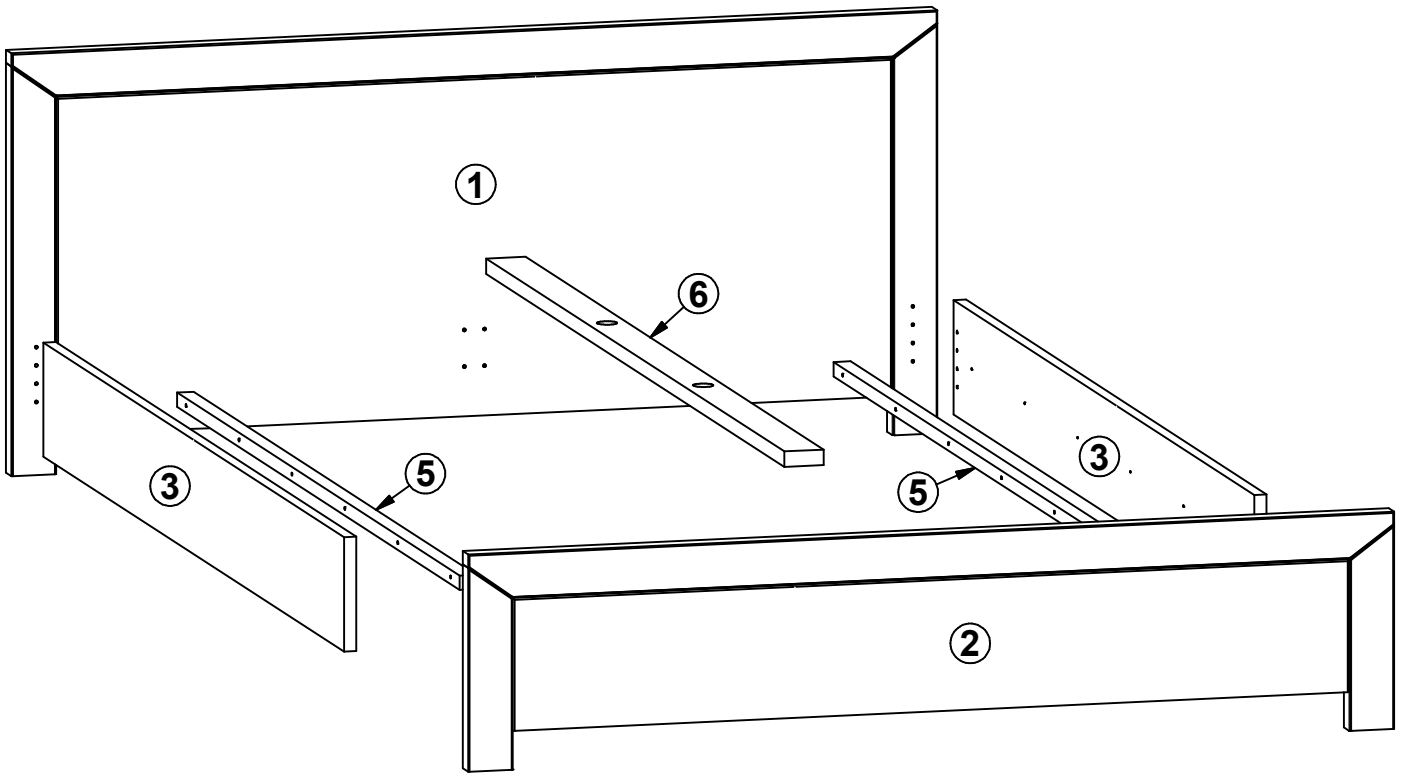
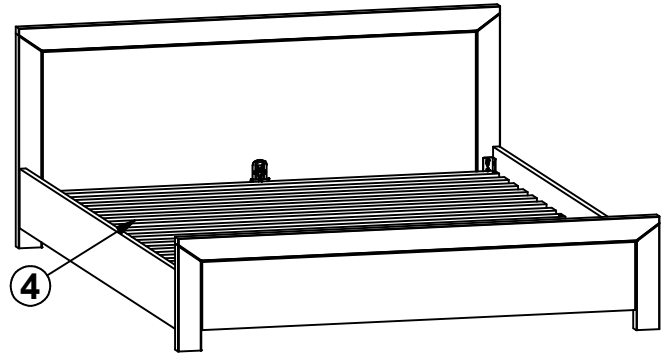


# MEZO

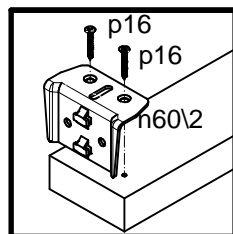
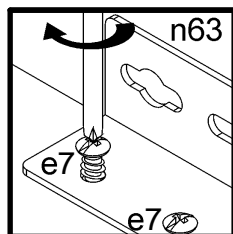
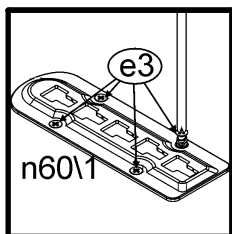
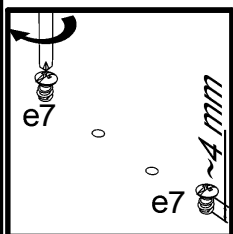
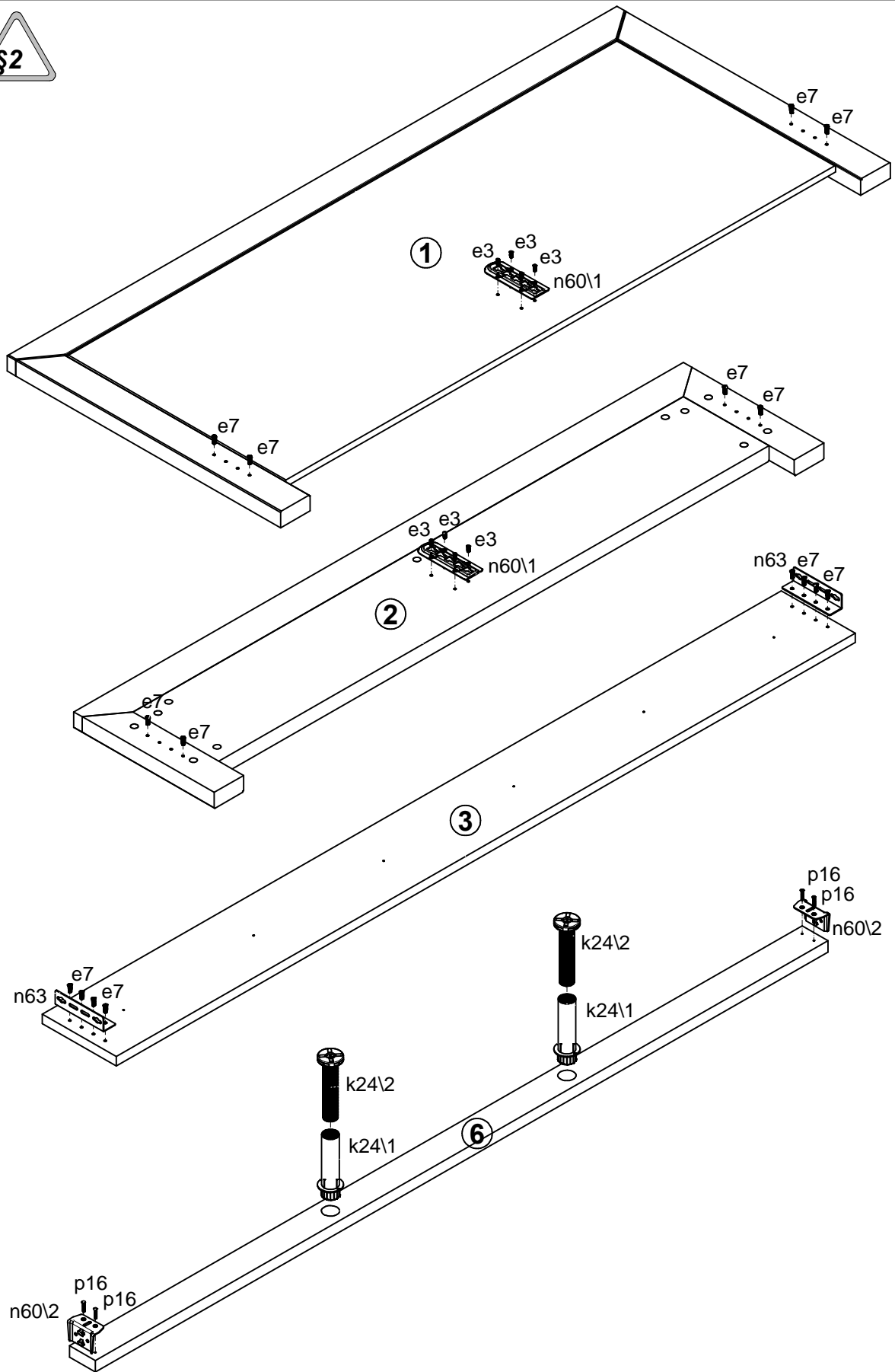
# S82-LOZ/160

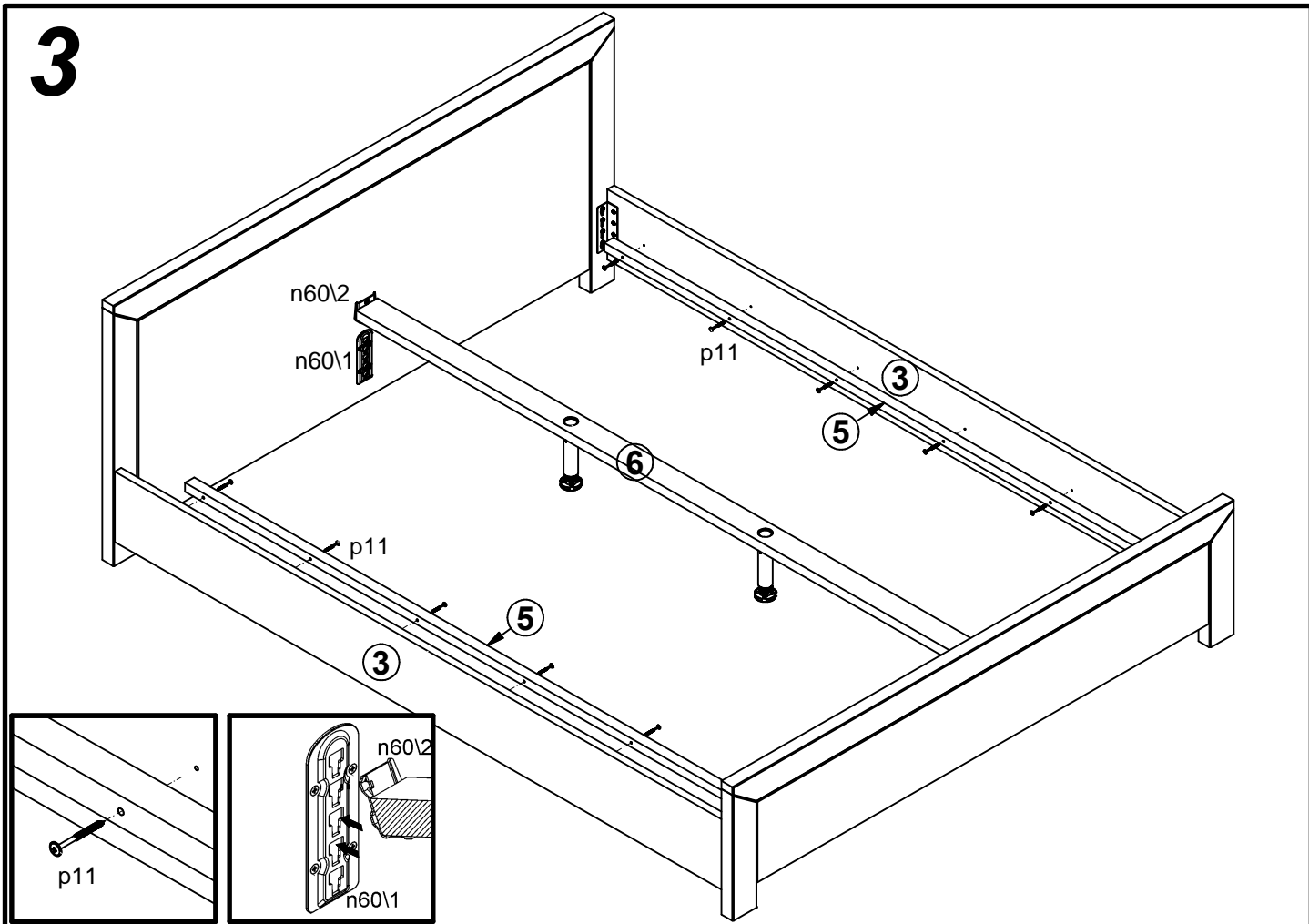
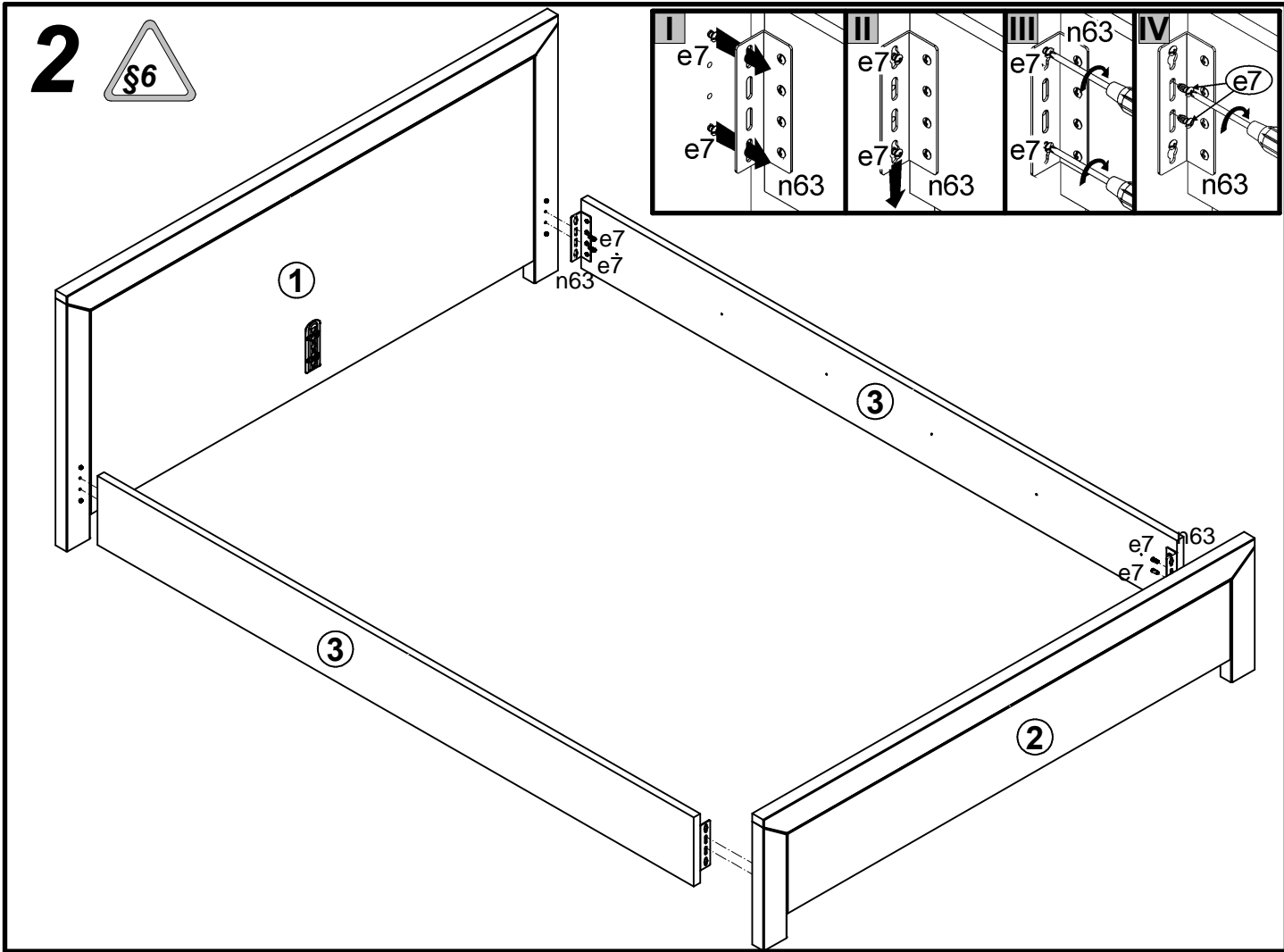
A	B	C		D
1	S82-022	1650	740	2/4
2	S82-023	1650	380	3/4
3	S82-106	2000	200	1/4
4	ZZ1-501	1872	1578	1/1
5	ZZ1-720	1880	25	1/4
6	ZZ1-726	1983	70	1/4



8x φ6x13 mm e3	32x φ6.3x16 mm e7	2x k24\1	2x k24\2	2x n60\1	2x n60\2	4x 130x34x3\2mm n63	12x φ4x45 mm p11	4x φ3.5x25 mm p16
6x φ4x35 mm p6								

1 





4

