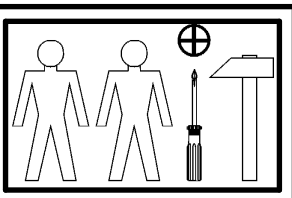
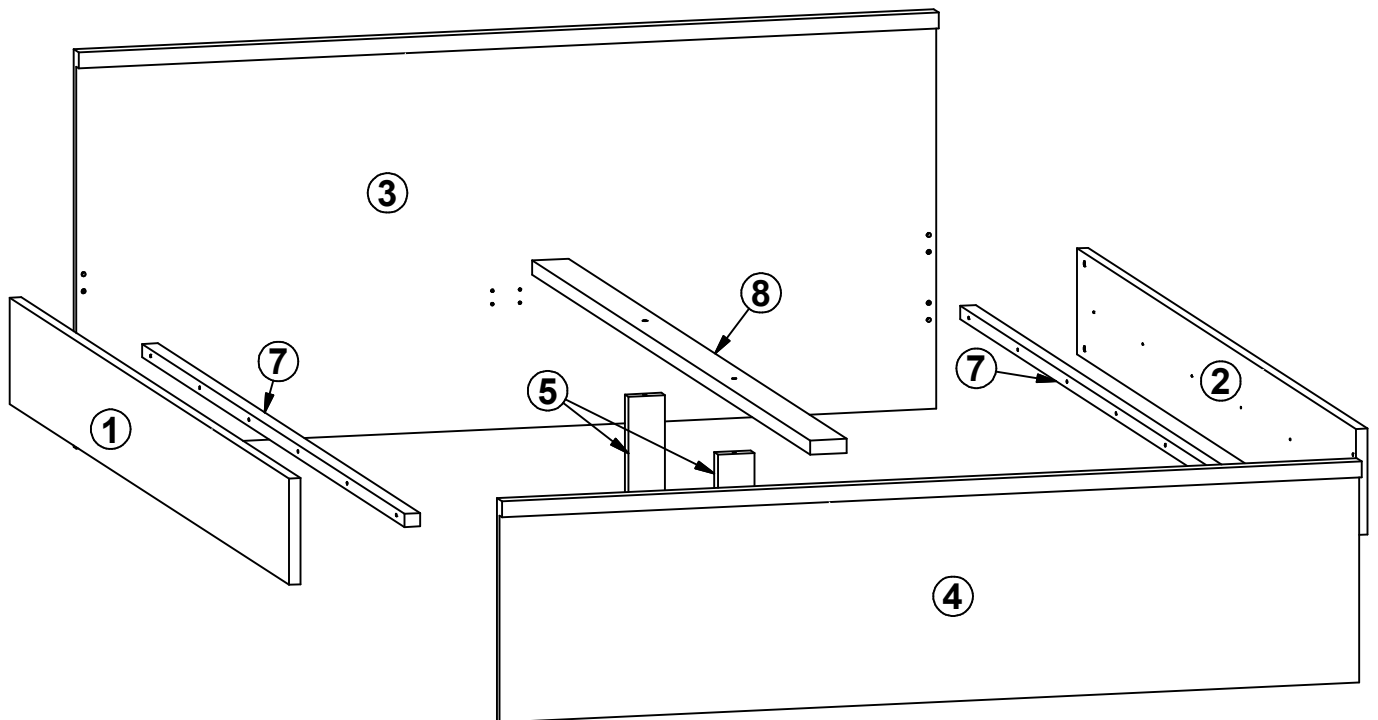
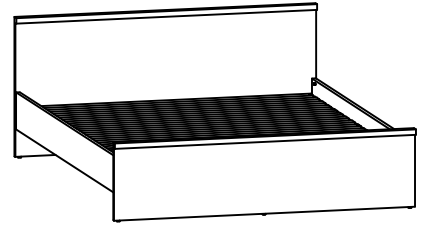
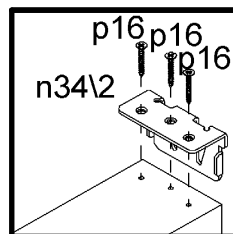
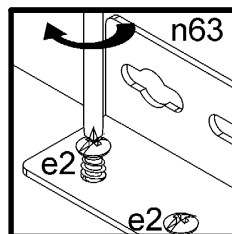
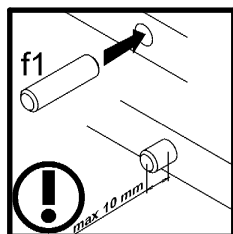
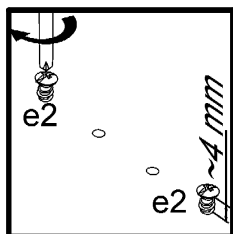
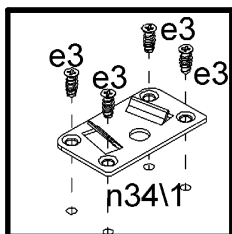
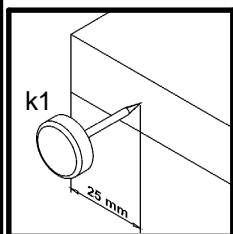
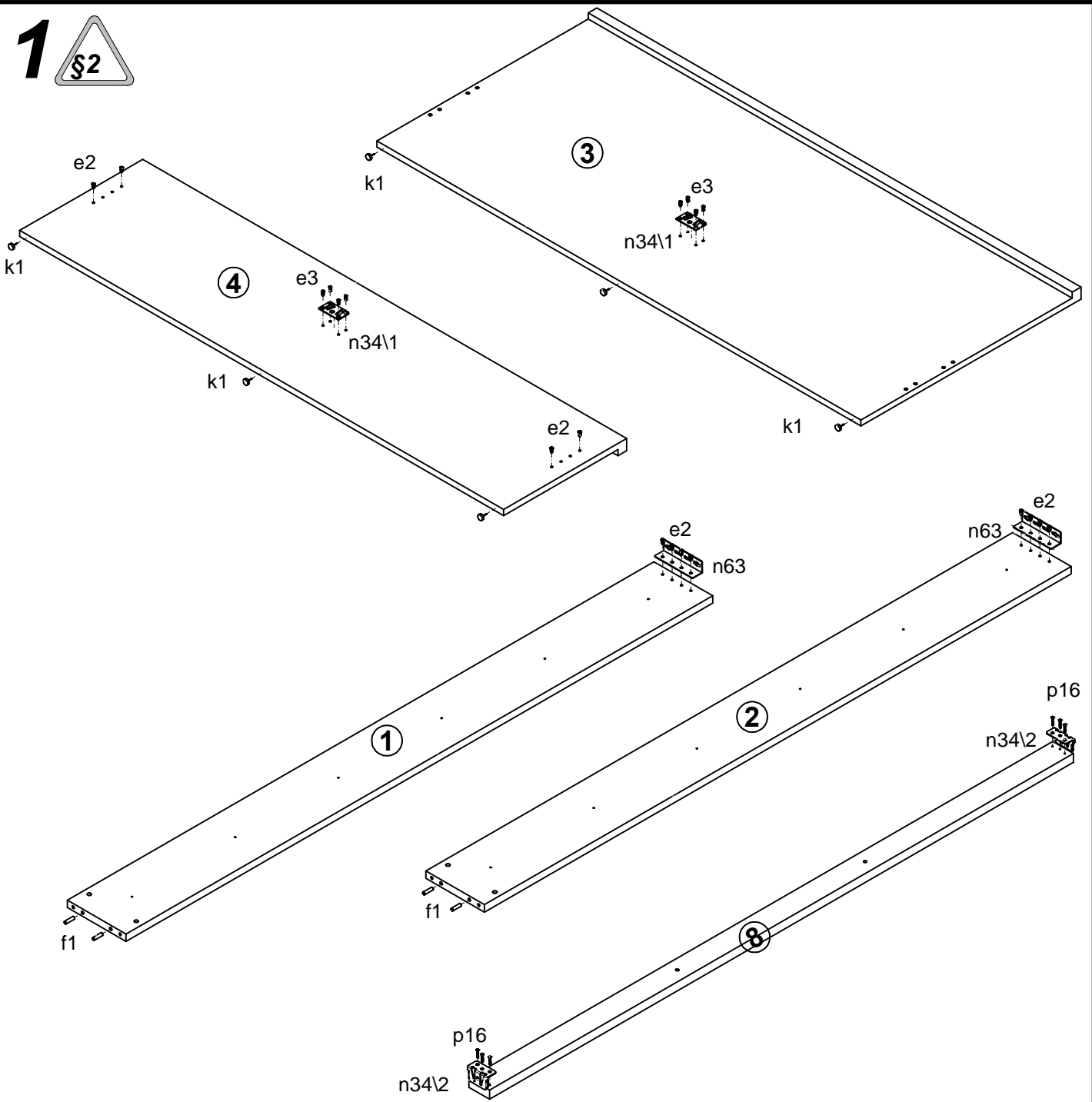


A	B	C	D	
1	S162-121	2000	200	2/2
2	S162-122	2000	200	2/2
3	S162-416	1650	750	1/2
4	S162-417	1650	420	1/2
5	ZZ1-416	238	70	2/2
6	ZZ1-501	1872	1578	1/1
7	ZZ1-720	1880	25	2/2
8	ZZ1-719	1983	70	2/2 </td

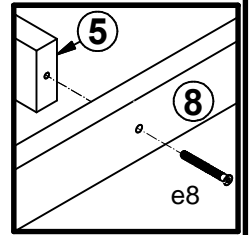
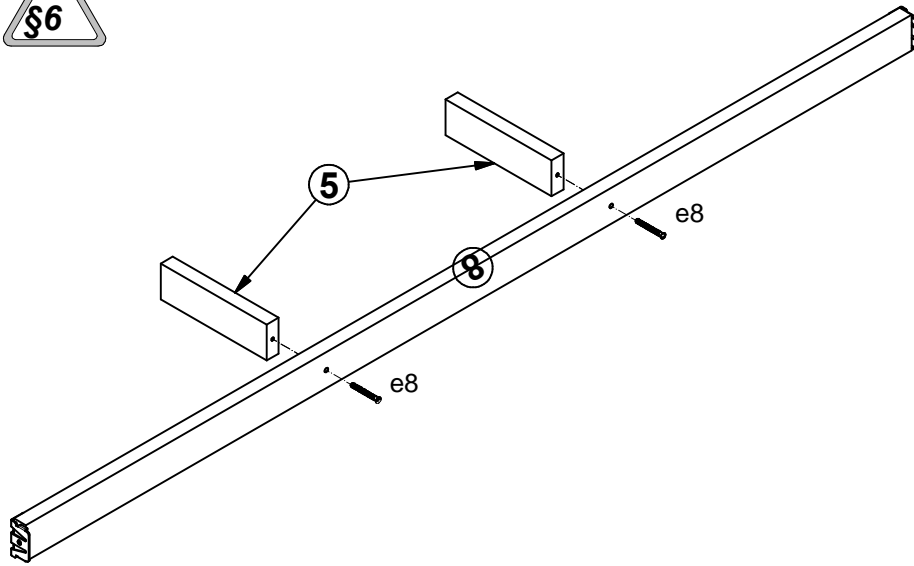


16x φ6,3x13 mm e2	8x φ6x13 mm e3	2x φ7x60 mm e8	4x φ8x30 mm f1	4x M6x84 mm j117	6x k1	2x n34/1	2x n34/2	2x 130x34x34,2mm n63
12x φ4x45 mm p11	6x φ3,5x25 mm p16	6x φ4x35 mm p6	4x φ10x16mm r43	1x z1				

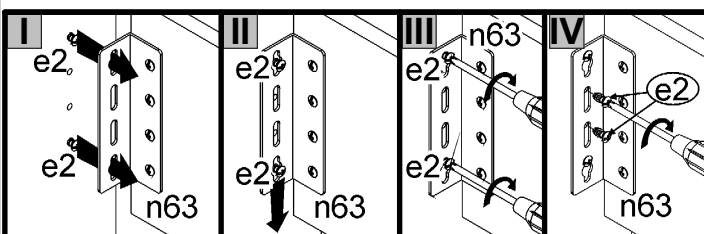
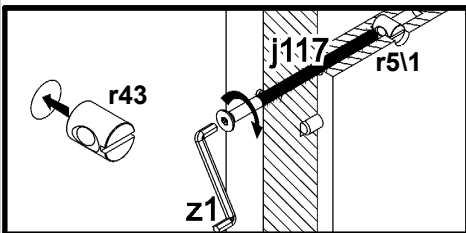
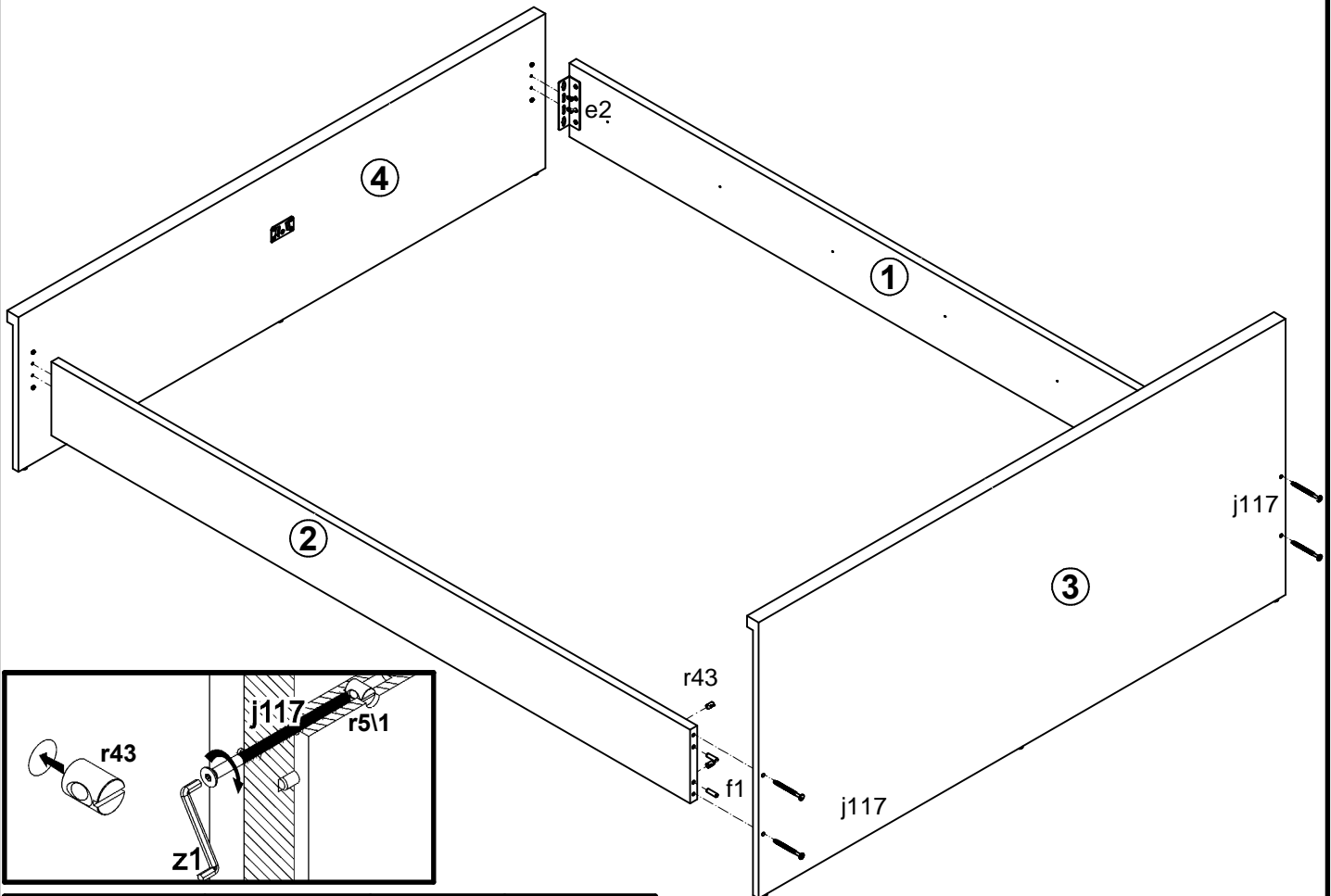
1 §2



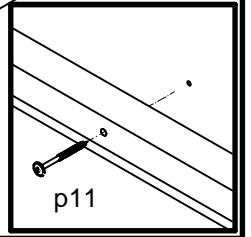
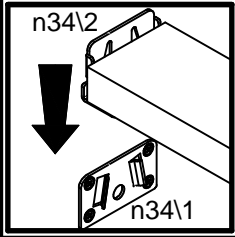
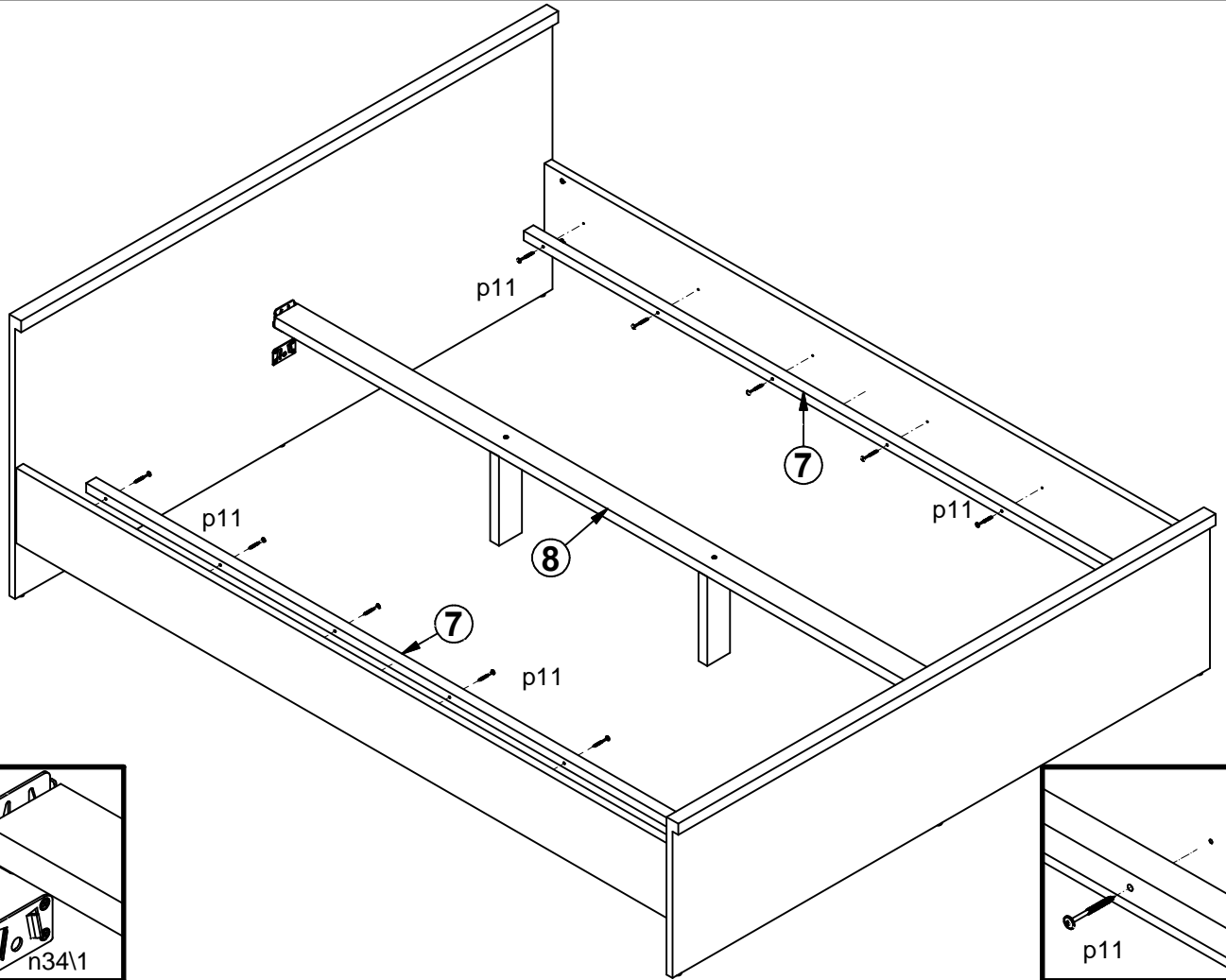
2



3



4



5

