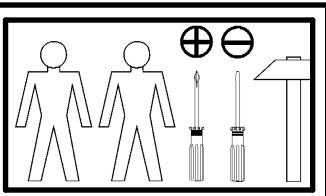
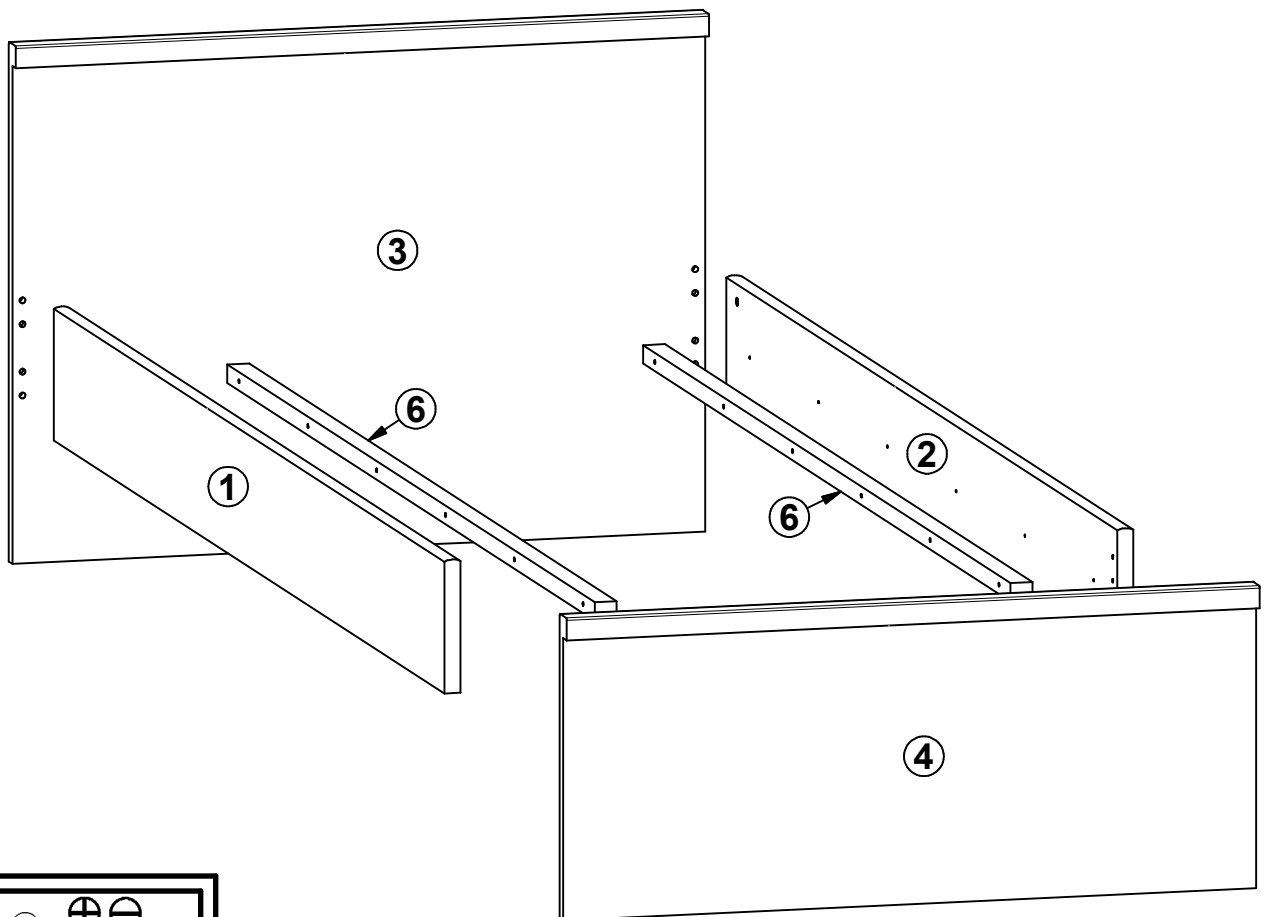
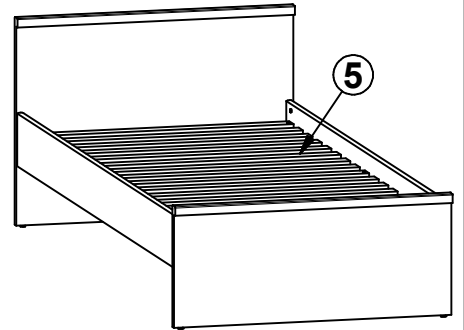


NUMLOCK

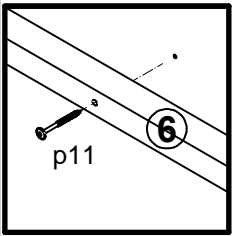
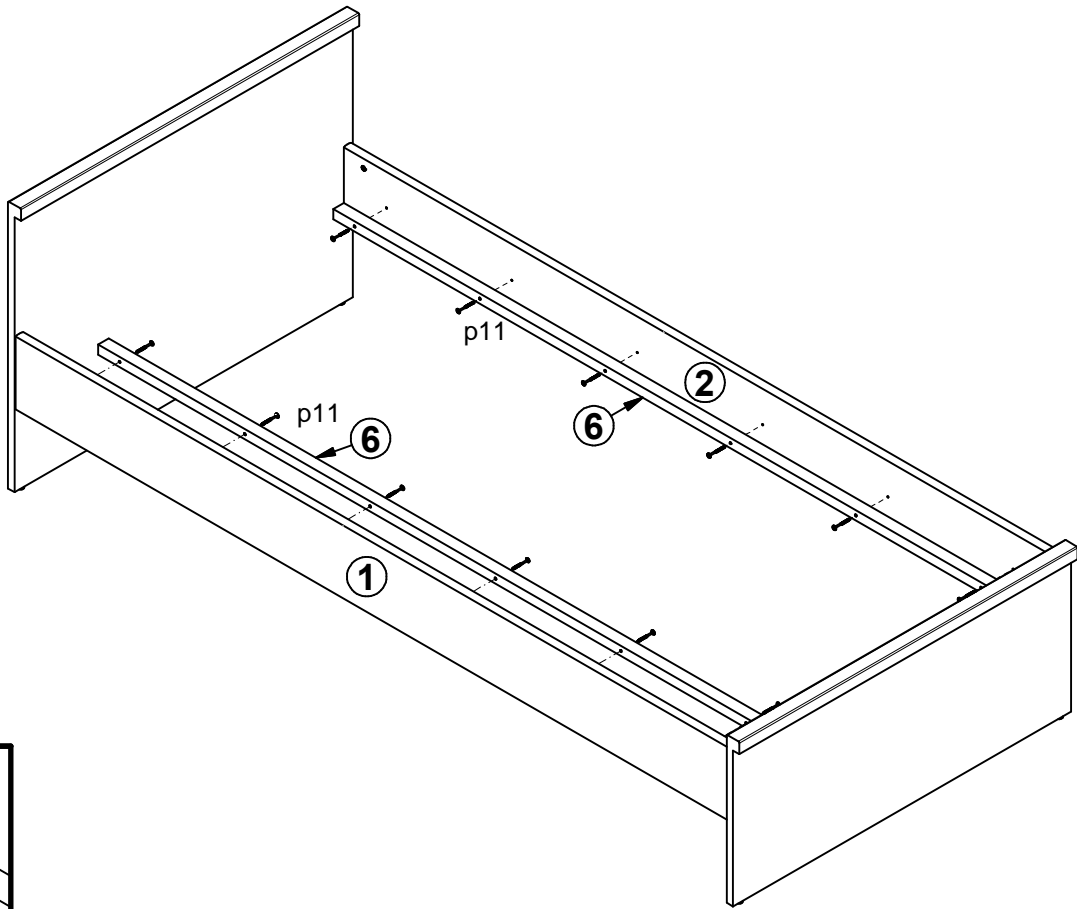
S161-LOZ/90

A	B	C	D
1	S161-118	2000	180
2	S161-119	2000	180
3	S161-411	950	700
4	S161-412	950	410
5	ZZ1-504	1872	886
6	ZZ1-720	1880	25



16x φ6,3x13 mm e2	4x φ8x30 mm f1	4x M6x84 mm j117	4x k1	2x 130x34x34,2mm n63	12x φ4x45 mm p11	6x φ4x35 mm p6	4x φ10x16mm r43	1x z1
------------------------------------	---------------------------------	-----------------------------------	---------------------	---------------------------------------	-----------------------------------	---------------------------------	----------------------------------	---------------------

3



4

