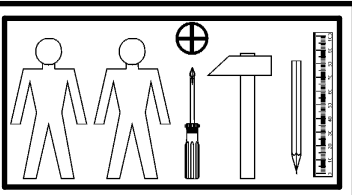
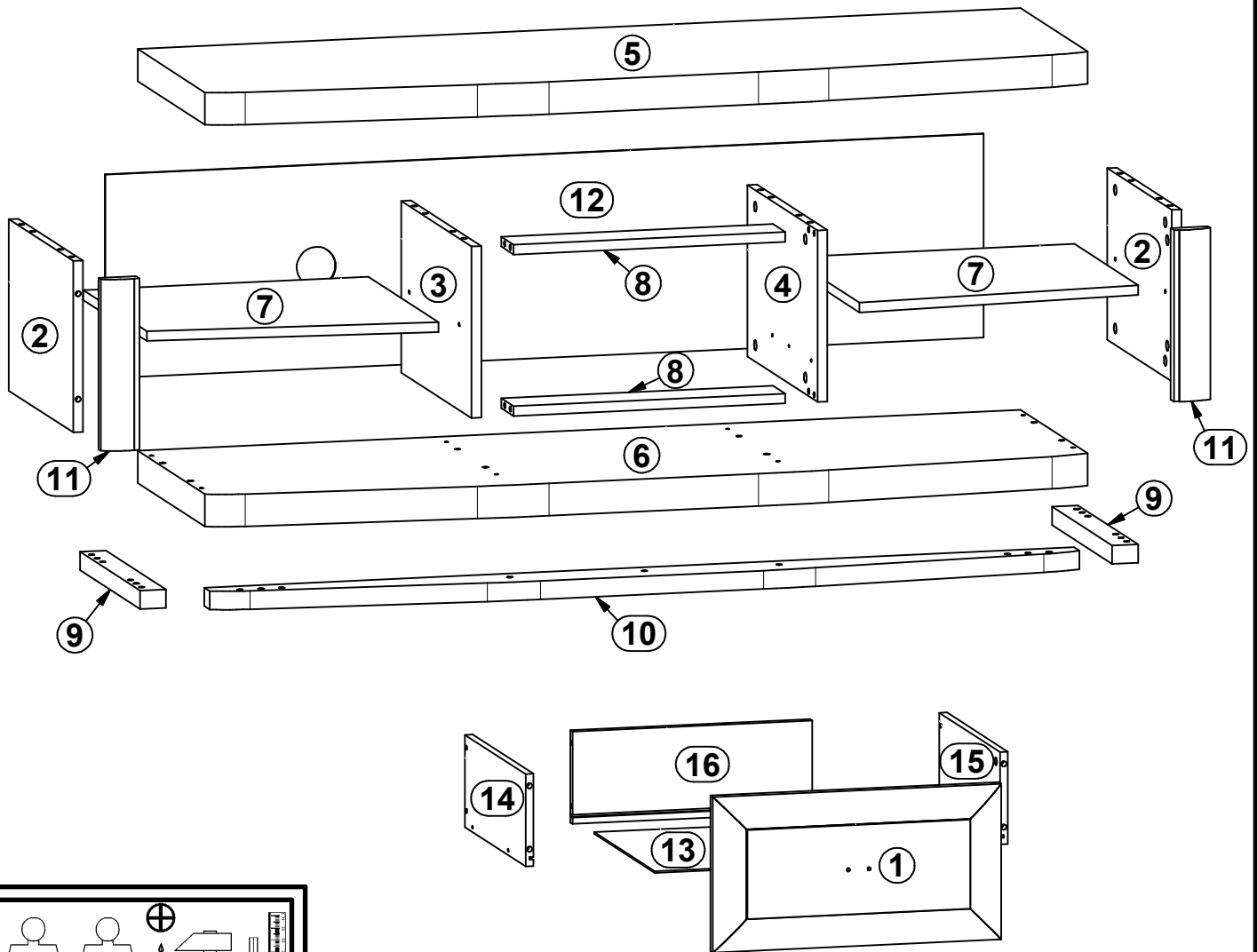
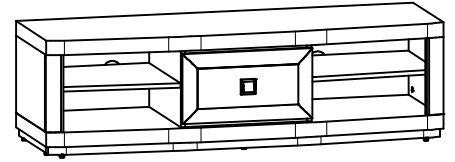


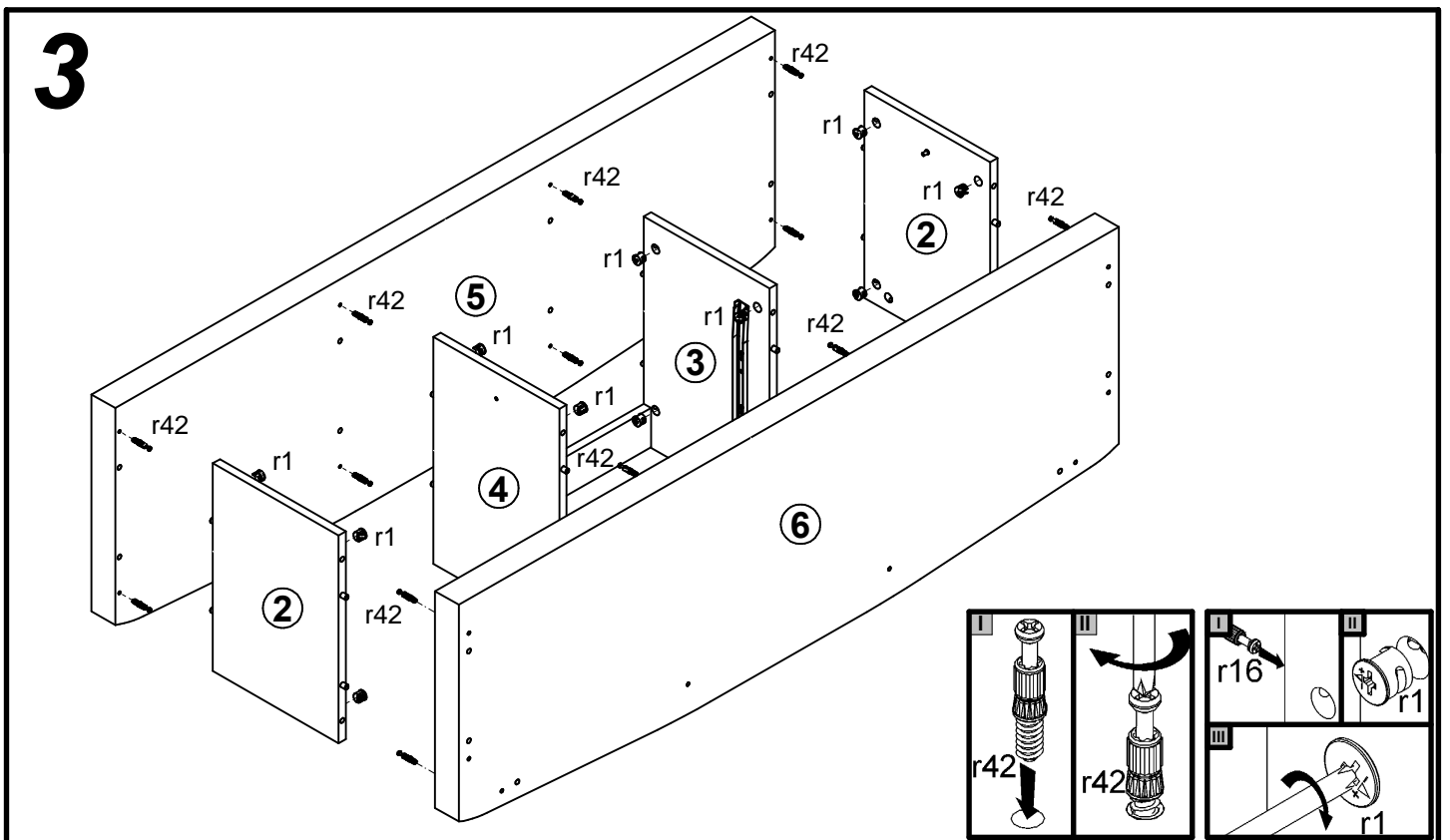
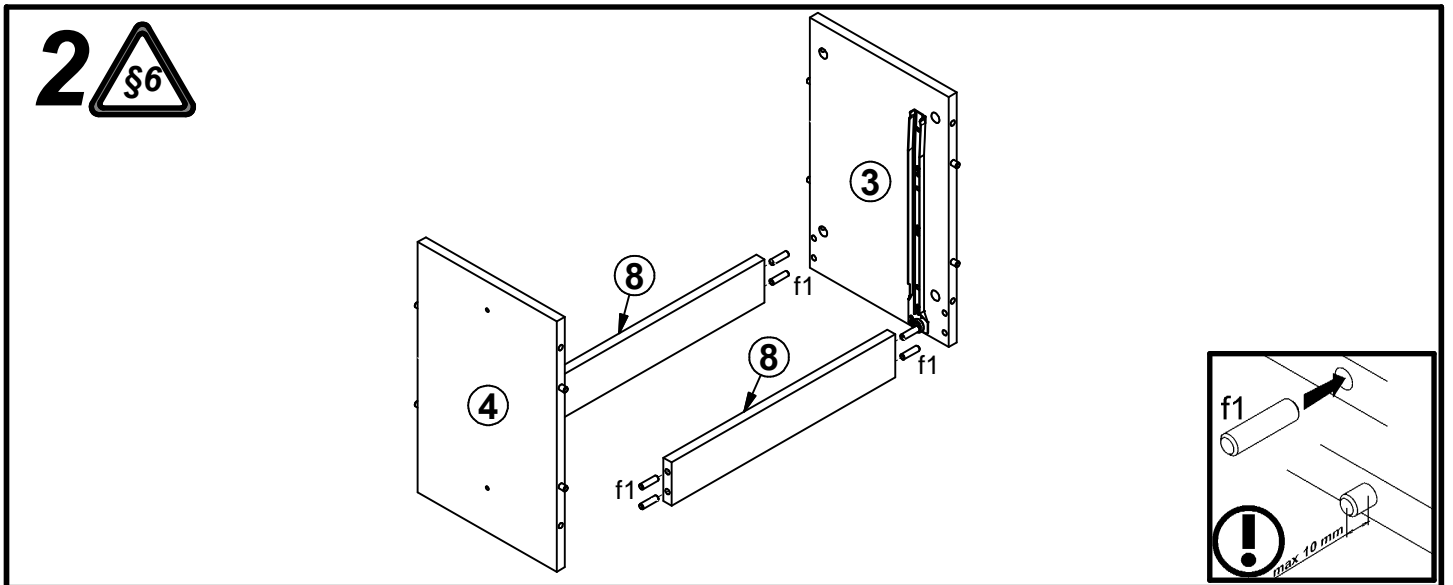
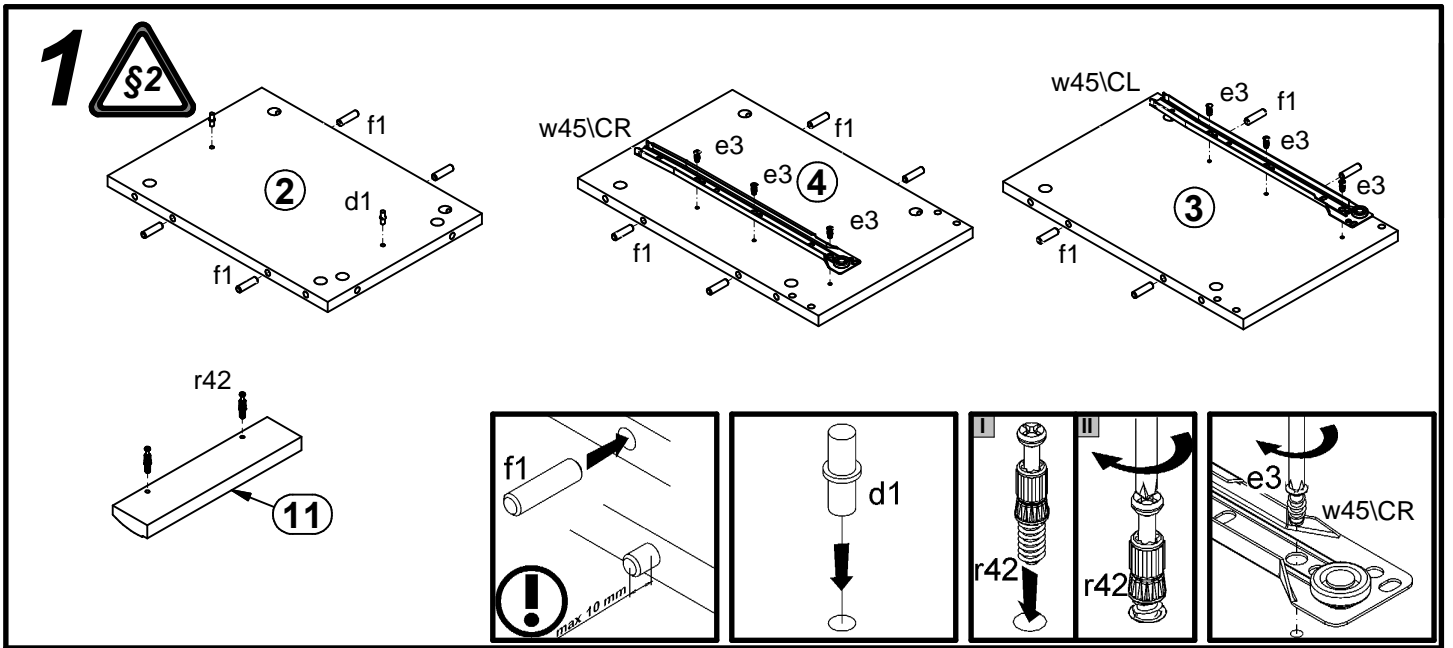
OREGON

S157-RTV1S

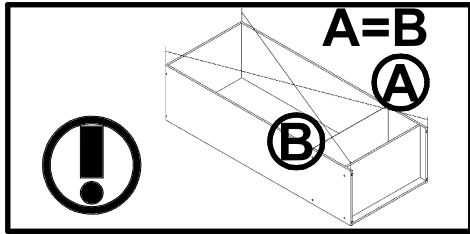
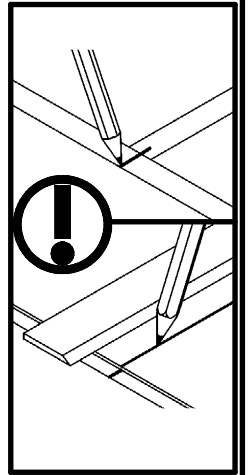
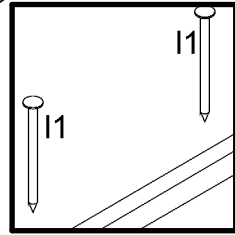
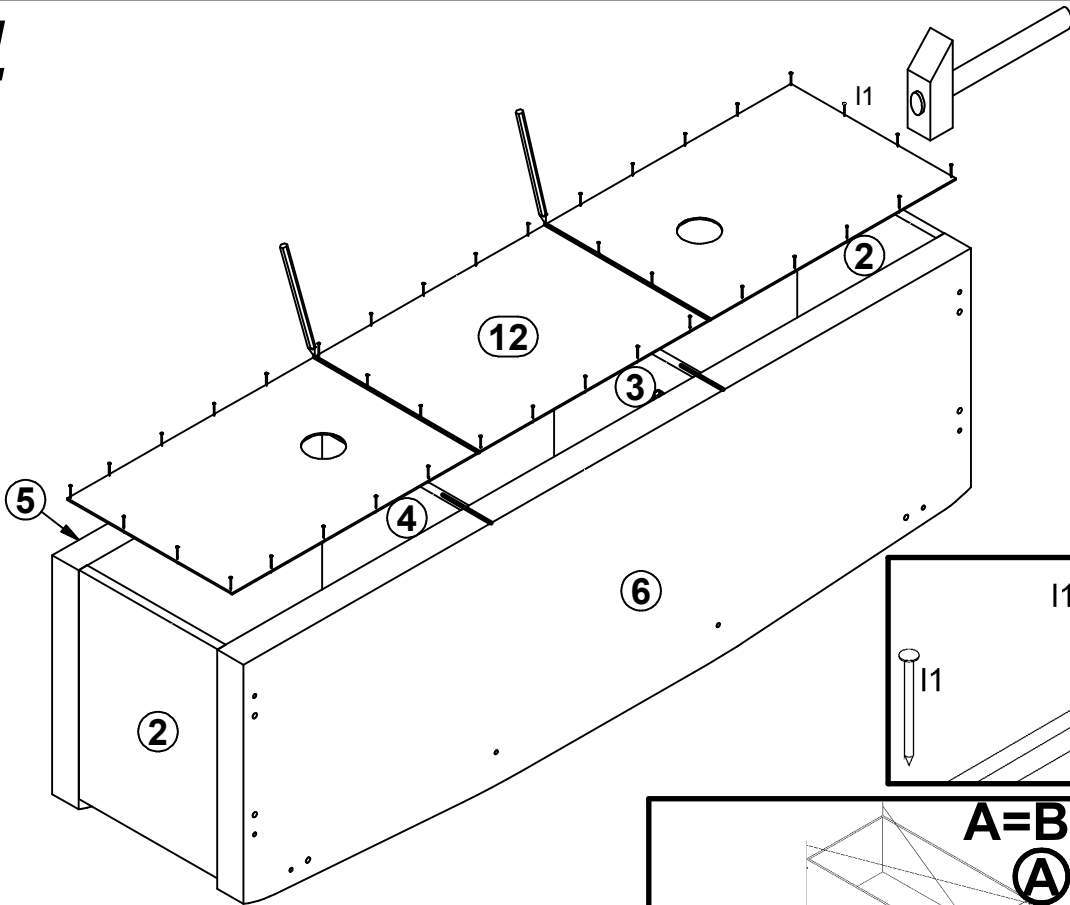
A	B	C	D	A	B	C	D		
1	S157-014	445	236	2/2	9	S157-502	346	40	1/2
2	S157-123	260	371	1/2	10	S157-504	1342	74	1/2
3	S157-124	260	405	1/2	11	S157-509	260	58	2/2
4	S157-125	260	405	1/2	12	S157-914	309	1355	1/2
5	S157-212	1362	430	1/2	13	S157-915	381	348	1/2
6	S157-213	1362	430	1/2	14	ZS2-531	350	140	1/2
7	S157-310	440	403	1/2	15	ZS2-532	350	140	1/2
8	S157-406	419	70	1/2	16	ZS2-5592	370	140	1/2



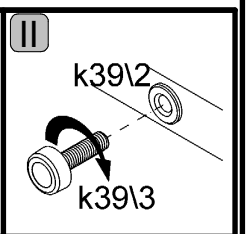
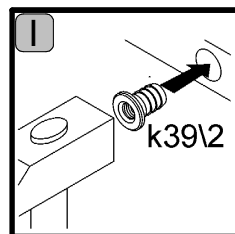
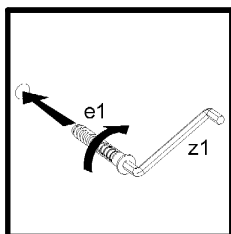
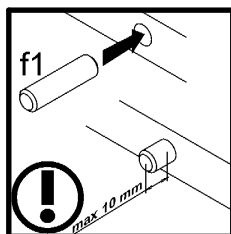
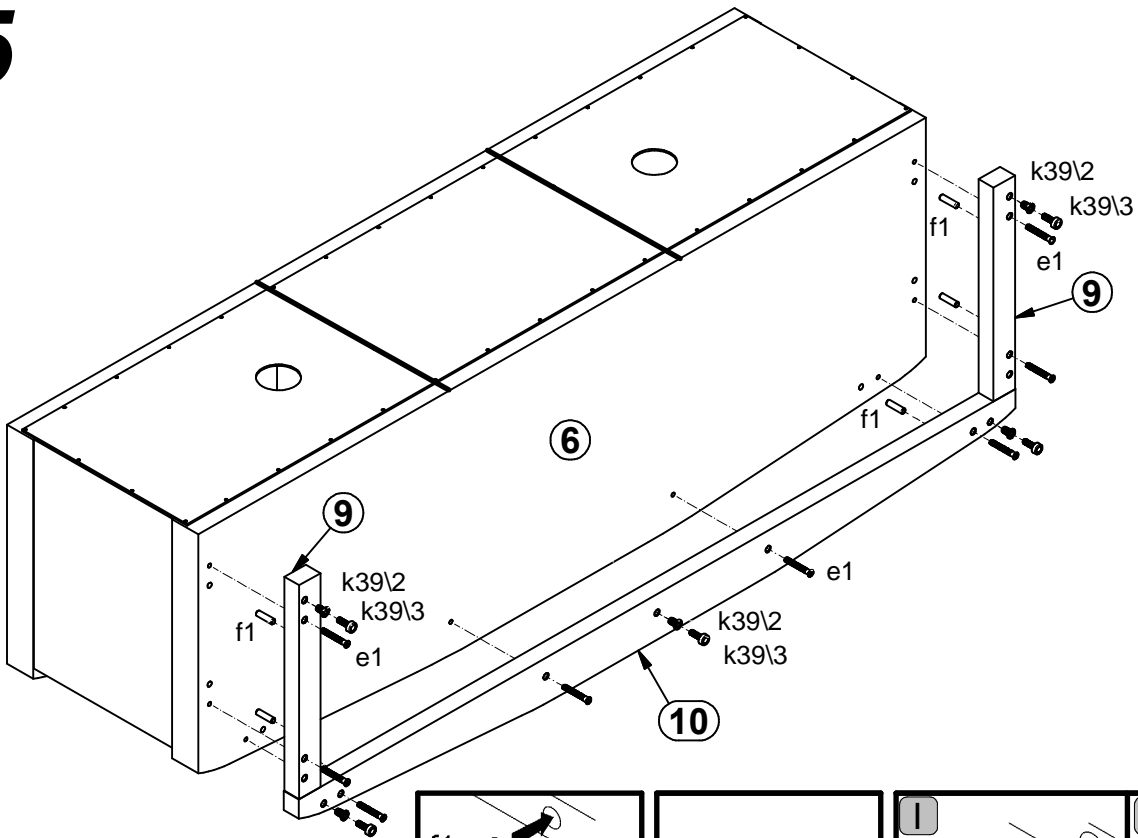
1x c333	8x φ8x17 mm d1	8x φ7x50 mm e1	4x φ5x9 mm e19	6x φ6x13 mm e3	30x φ8x30 mm f1	4x φ6.5x40 mm f25	2x M4x18 mm j59	5x M6/φ8x14 mm k39/2
5x M6/22mm k39/3	40x l1	20x φ1.5x12mm #16 r1	4x φ1.2x10.5mm #12 r15	24x r42	1x 350 mm w45/CL	1x 350 mm w45/CR	1x 350 mm w45/DL	1x 350 mm w45/DR
12x ø16 s2	1x z1							



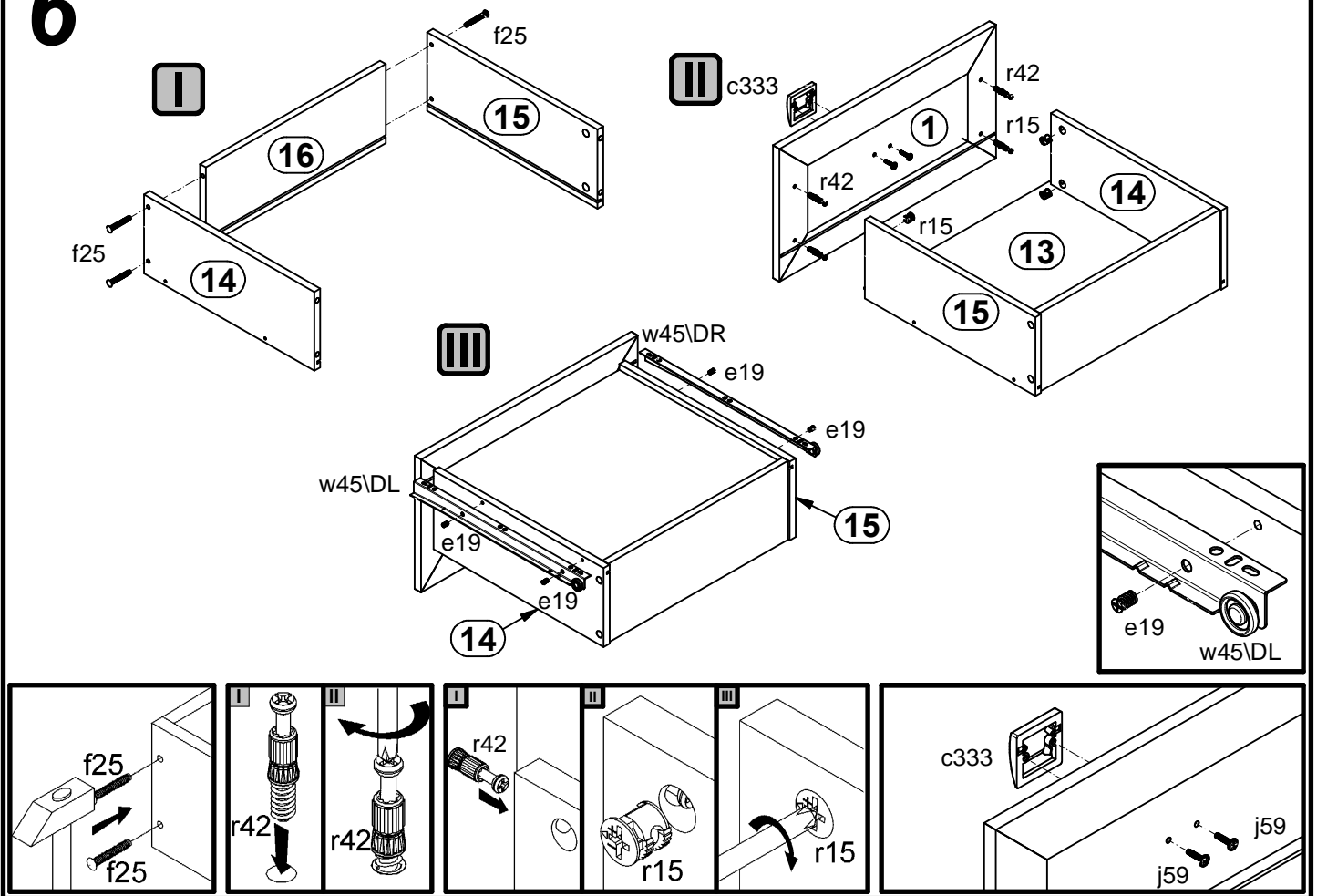
4



5



6



7

