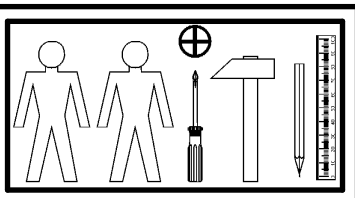
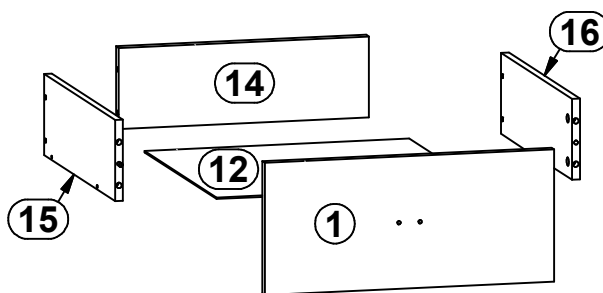
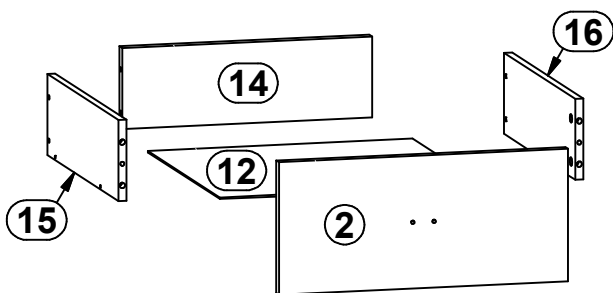
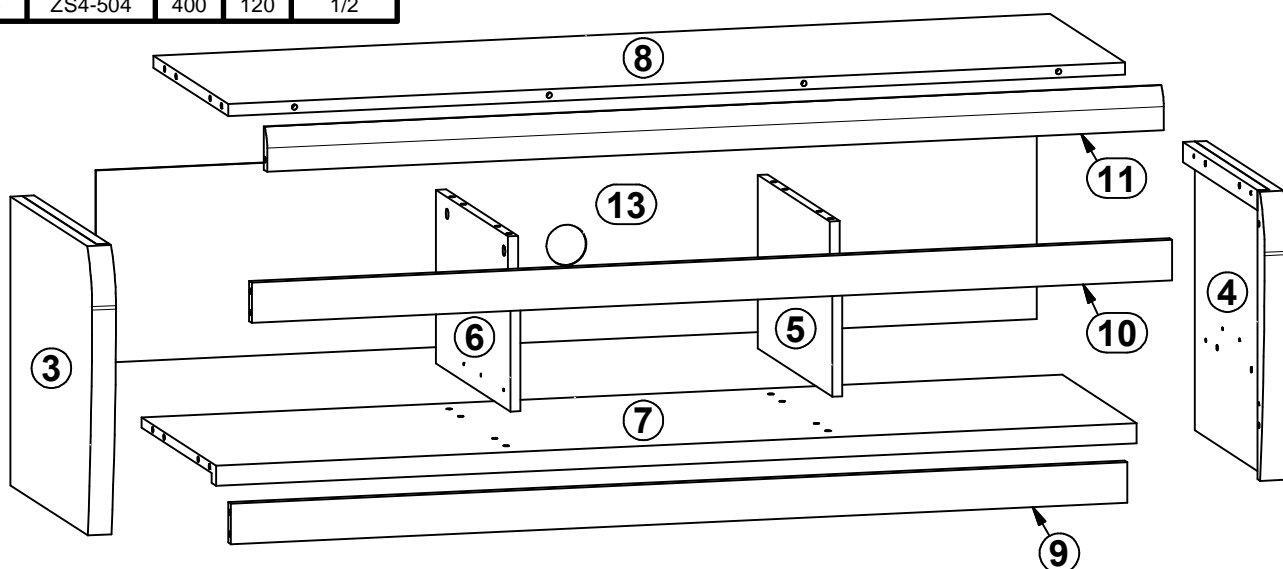
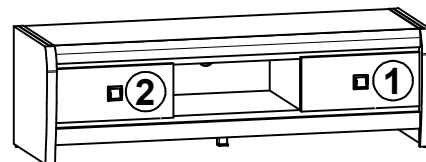


LOREN

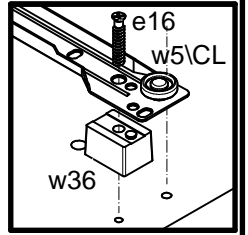
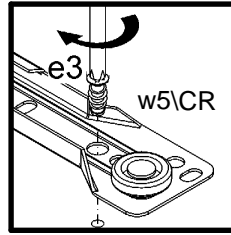
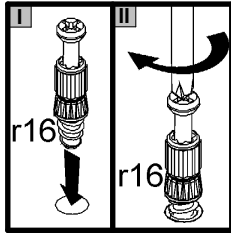
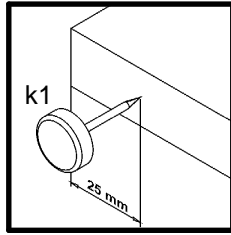
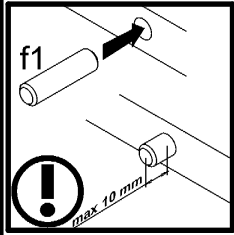
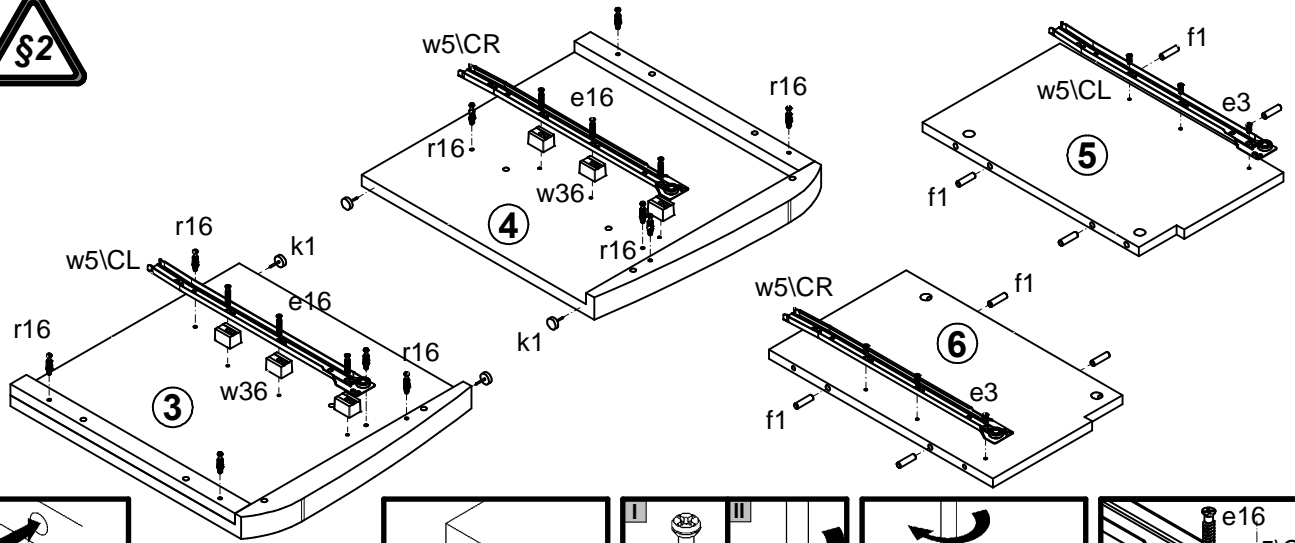
S163-RTV2S

A	B	C	D
1	S163-010	436	196
2	S163-011	436	196
3	S163-111	428	460
4	S163-112	428	460
5	S163-113	257	419
6	S163-114	257	419
7	S163-309	1388	419
8	S163-310	1352	420
9	S163-406	1352	60
10	S163-407	1388	60
11	S163-504	1352	64
12	S163-910	399	405
13	S163-911	1419	285
14	ZS3-5523	377	120
15	ZS4-503	400	120
16	ZS4-504	400	120

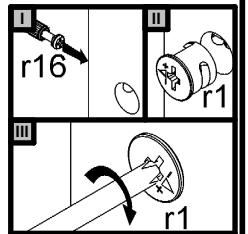
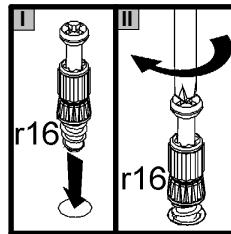
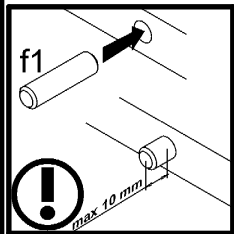
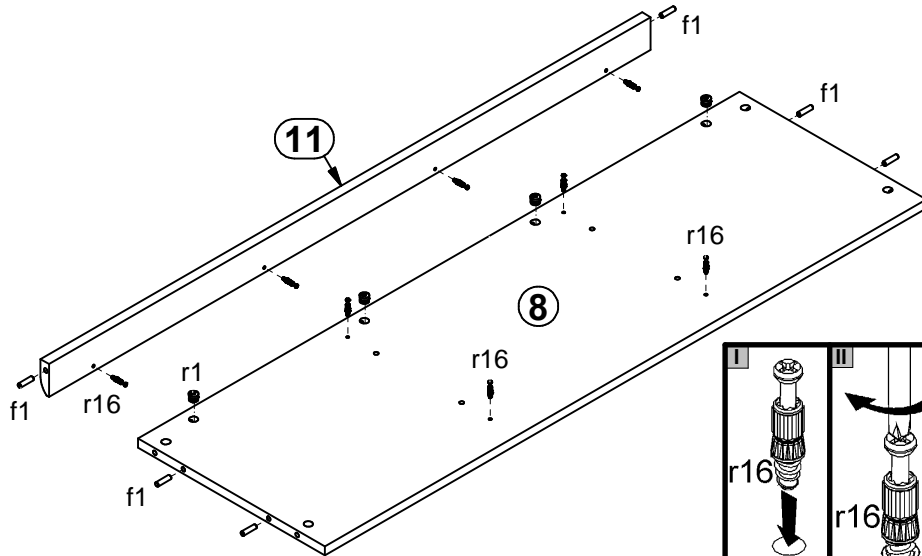


2x c333	4x Ø7x50 mm e1	6x Ø6x30 mm e16	8x Ø5x9 mm e19	1x Ø6.3x13 mm e2	6x Ø6x13 mm e3	24x Ø8x30 mm f1	4x Ø6x30 mm f9	8x Ø6.5x40 mm f25
4x M4x20 mm j1	4x k1	1x k38/3	1x k38/5	40x l1	1x 32x16x15/1 mm n56	2x Ø3.5x13 mm p27	12x Ø3.5x16 mm p38	18x Ø15x12 mm #16 r1
8x Ø12x10.5 mm #12 r15	26x r16	6x H=18 mm w36	2x 400 mm w5/CL	2x 400 mm w5/CR	2x 400 mm w5/DL	2x 400 mm w5/DR	1x z1	

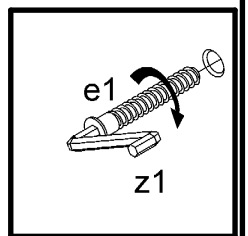
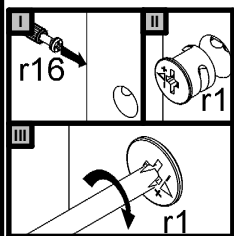
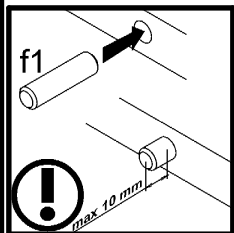
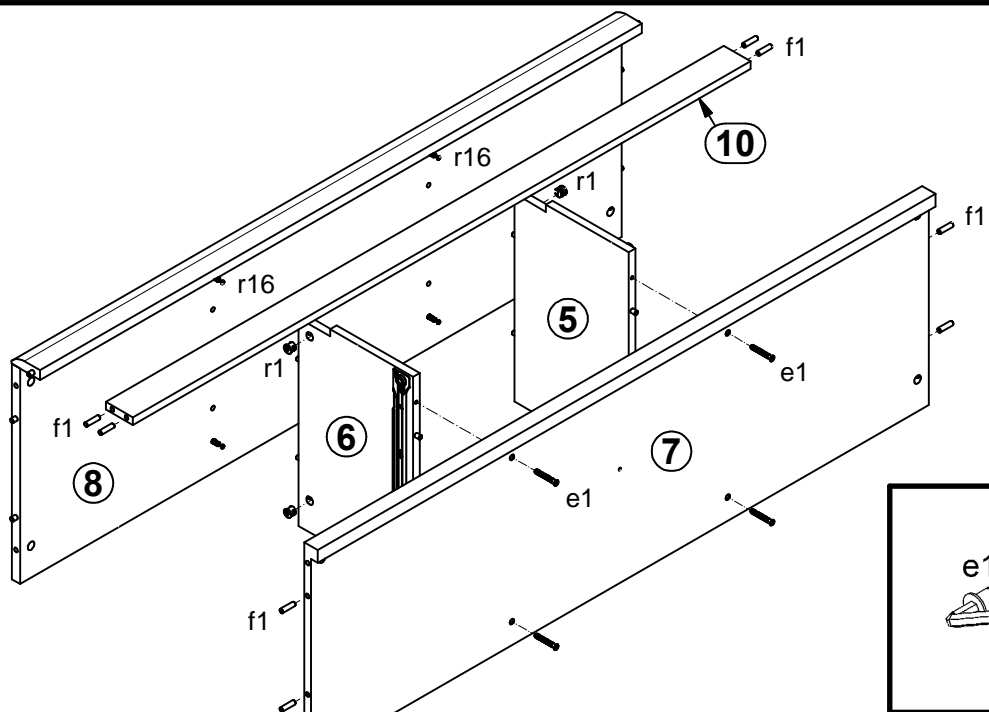
1



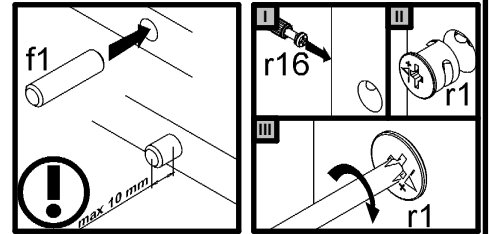
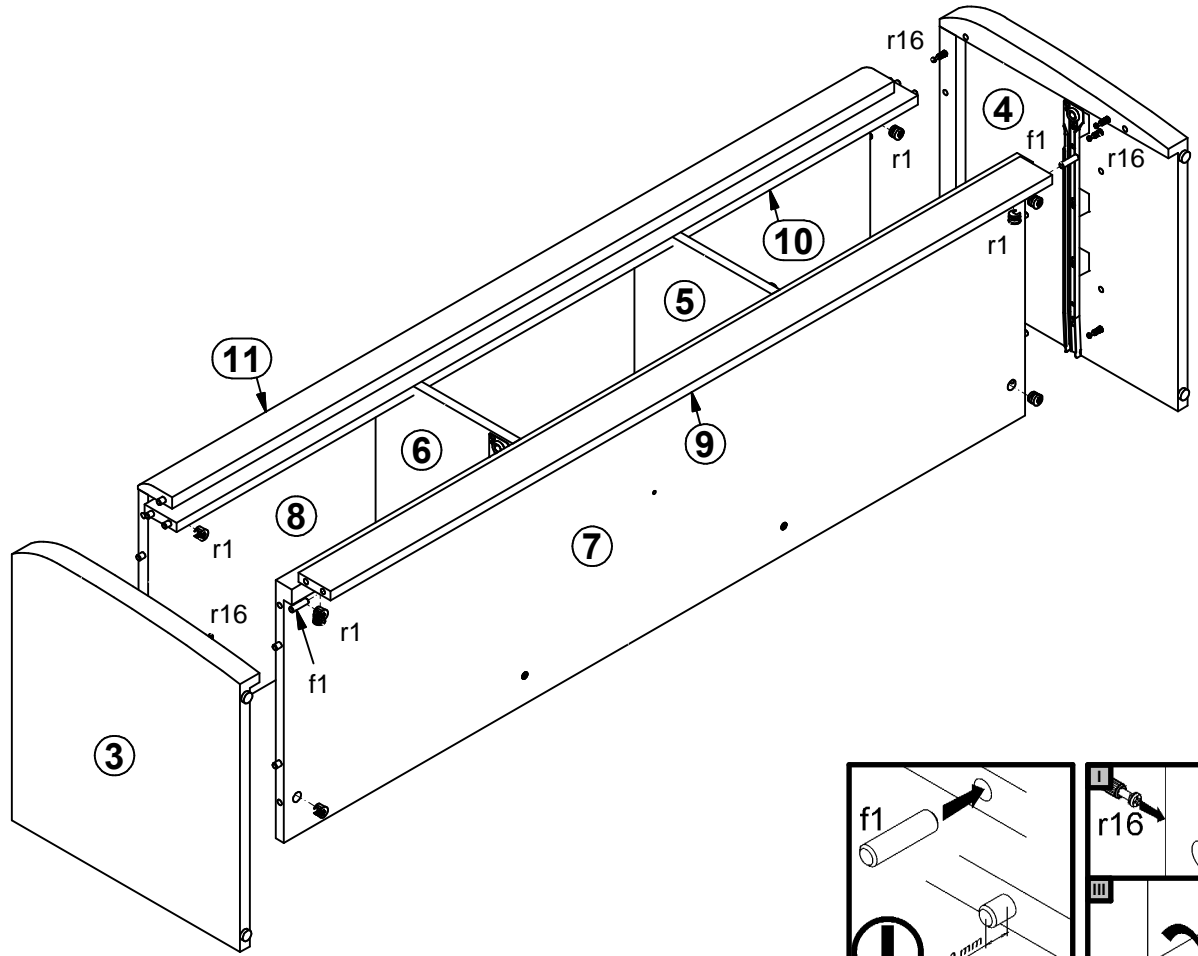
2



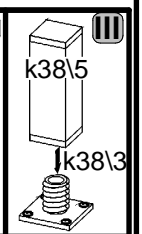
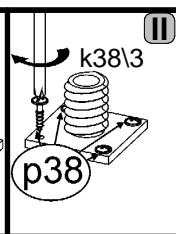
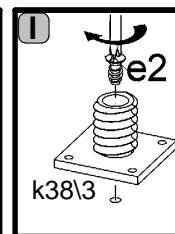
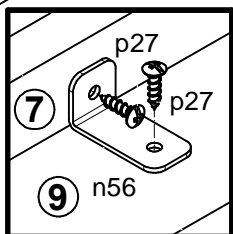
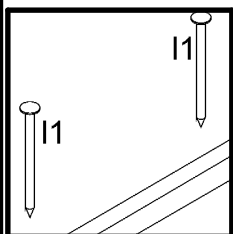
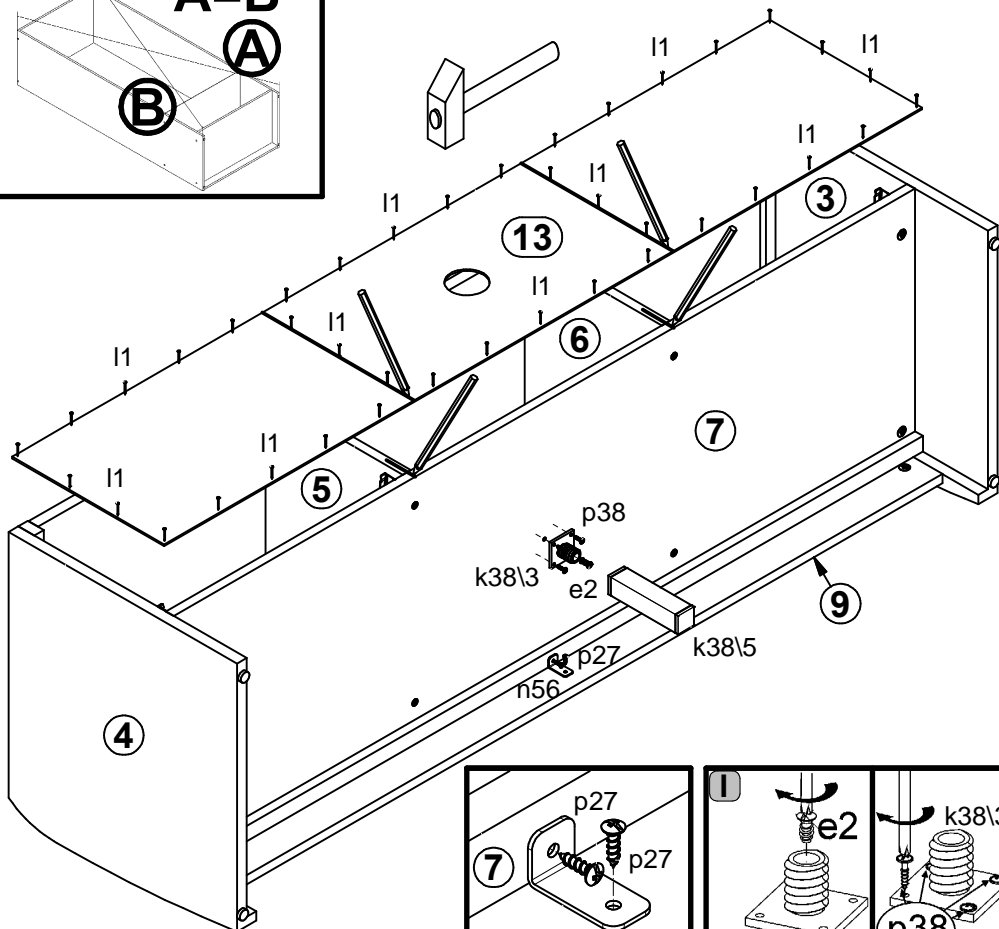
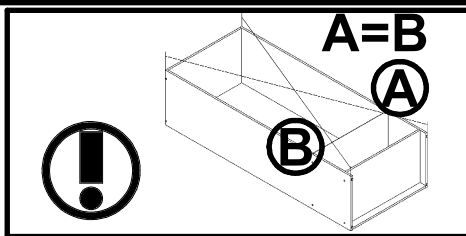
3



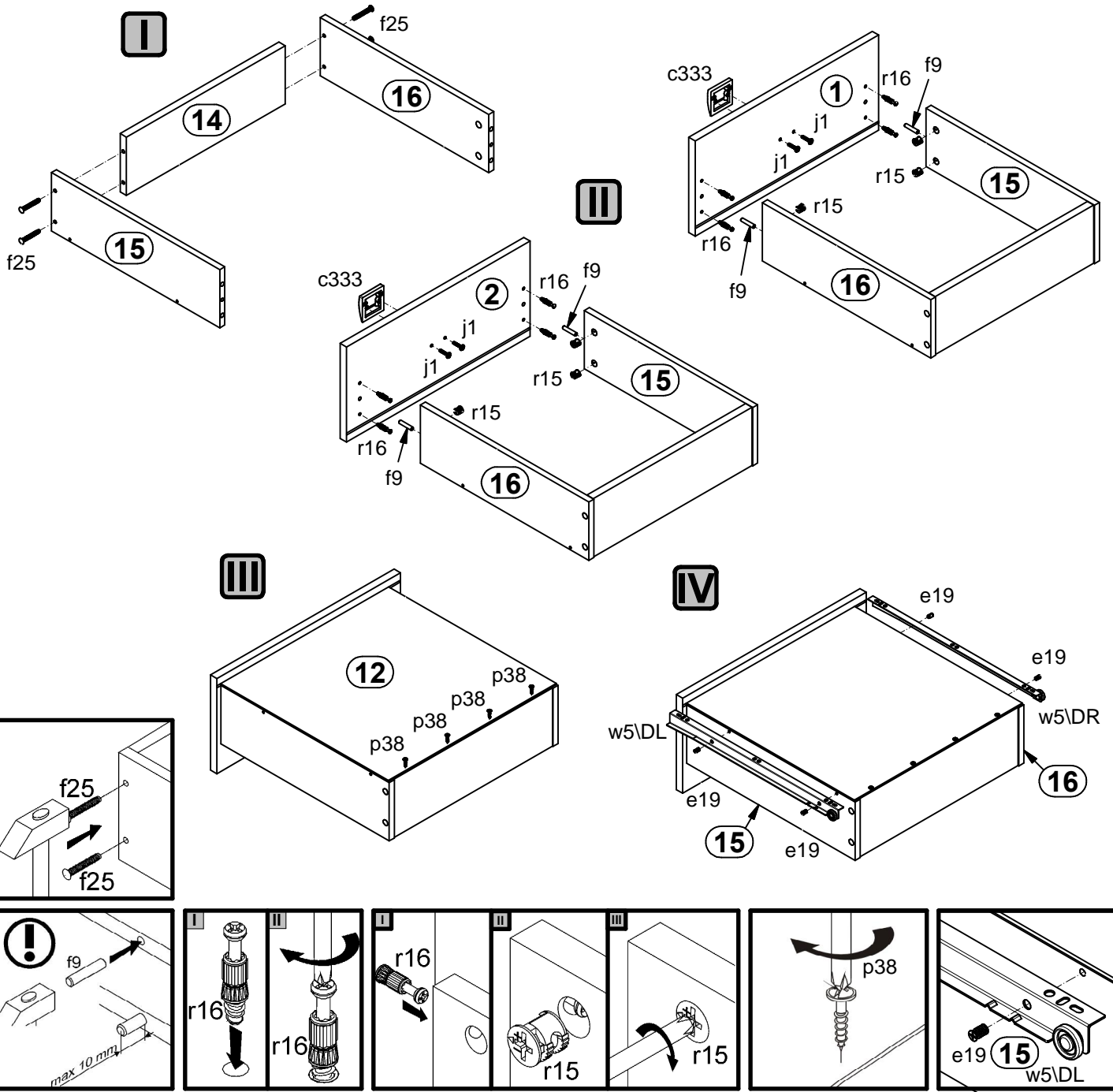
4



5



6



7

