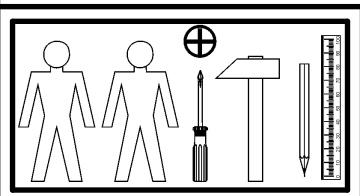
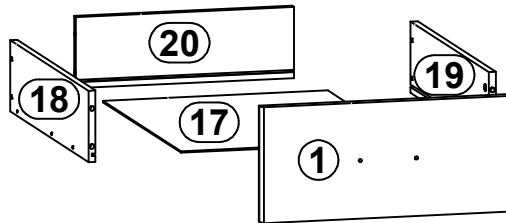
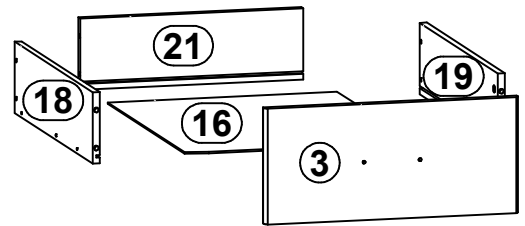
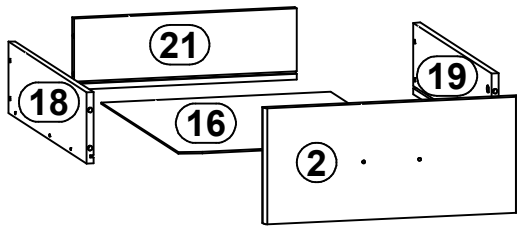
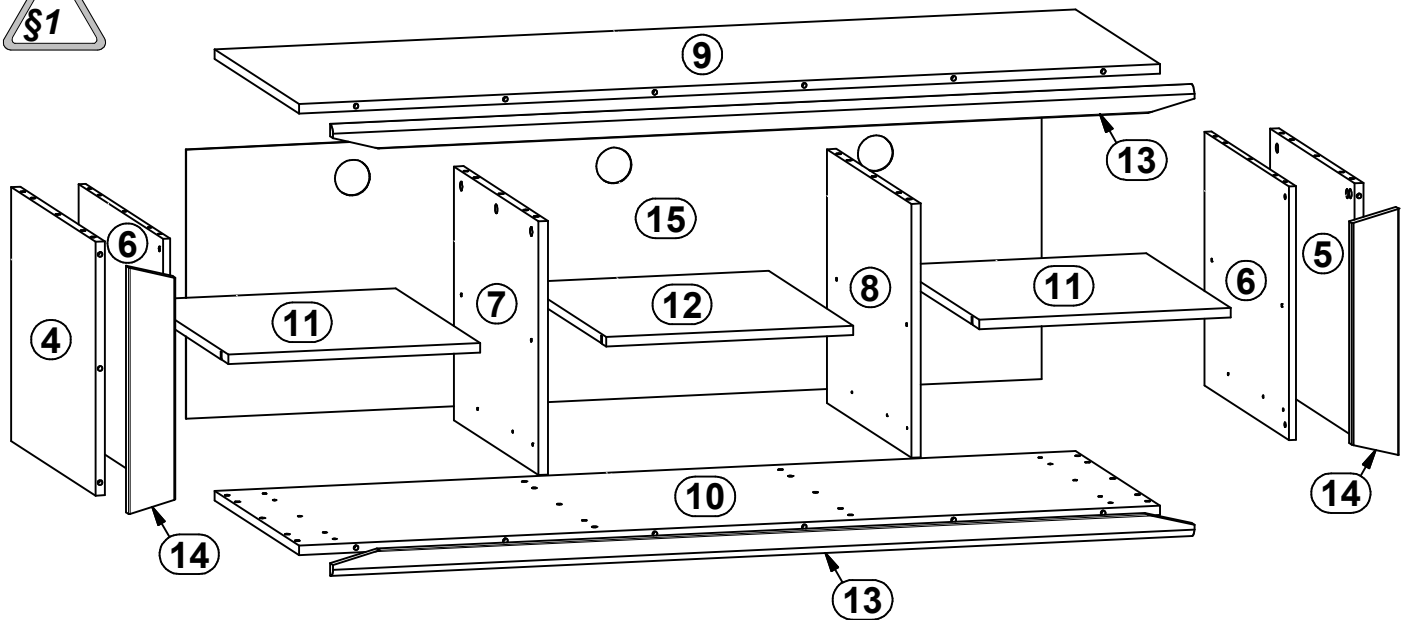
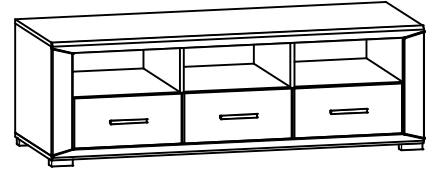


PALEMO

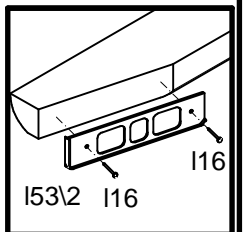
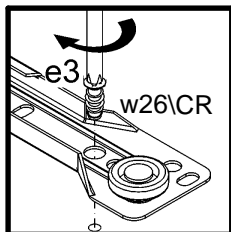
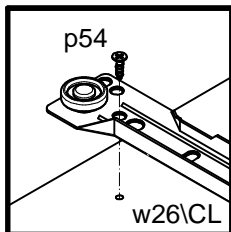
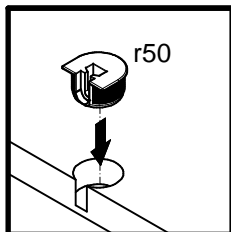
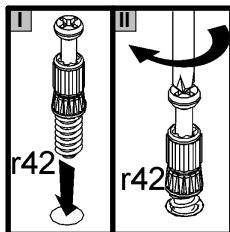
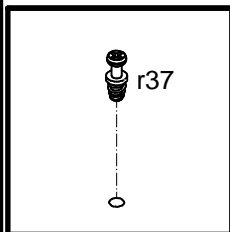
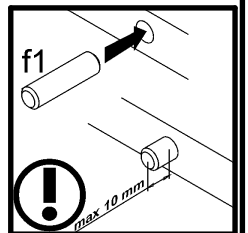
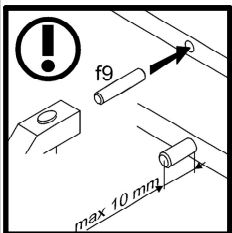
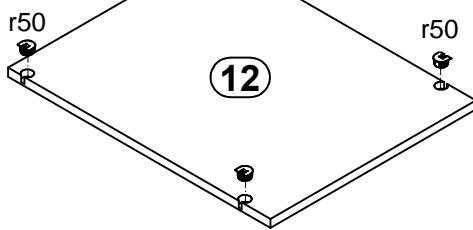
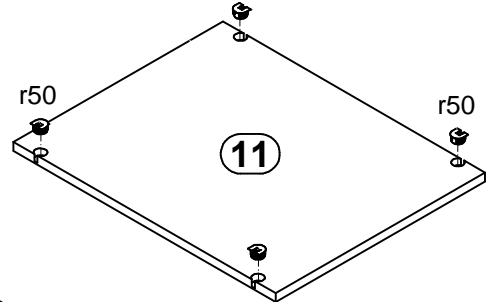
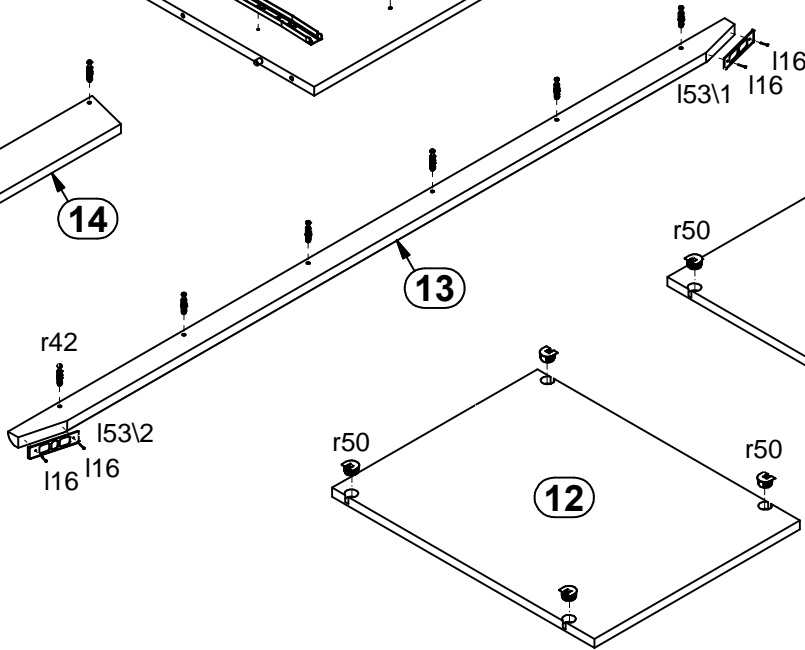
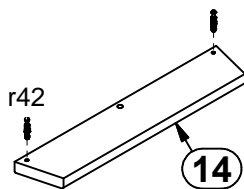
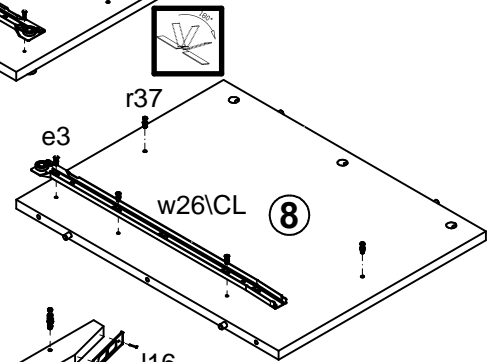
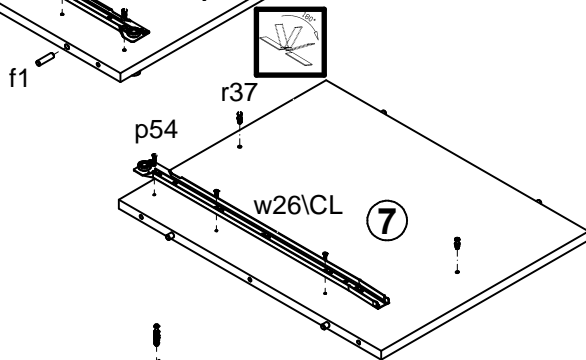
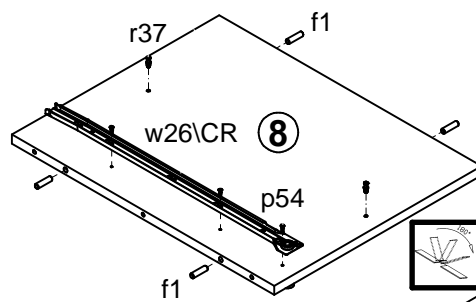
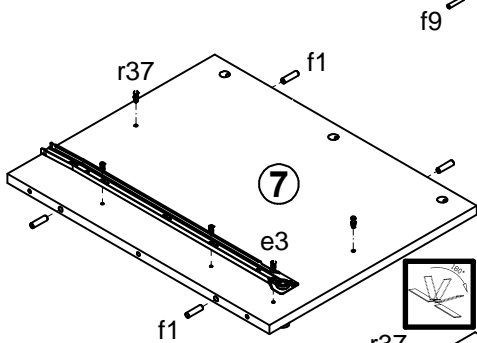
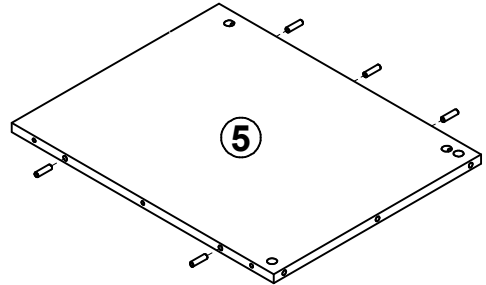
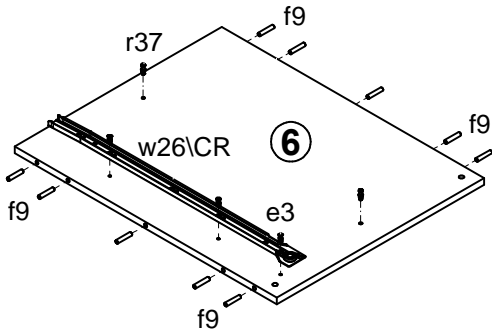
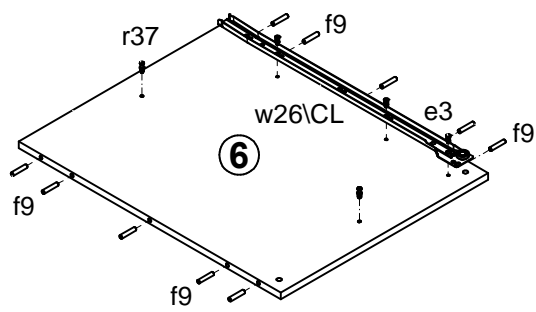
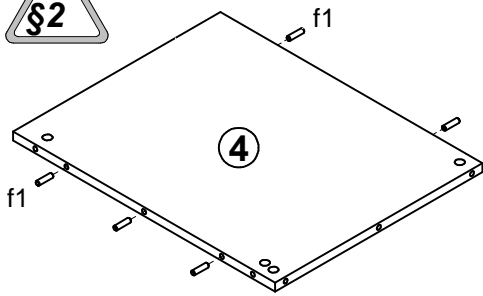
S159-RTV3S

A	B	C	D	A	B	C	D		
1	S159-005	435	195	4/4	12	S159-310	423	540	2/4
2	S159-012	435	195	4/4	13	S159-576	1476	42	3/4
3	S159-013	435	195	4/4	14	S159-584	415	80	3/4
4	S159-130	427	540	1/4	15	S159-917	453	1466	2/4
5	S159-131	427	540	1/4	16	S159-918	393	498	2/4
6	S159-132	427	540	1/4	17	S159-919	385	498	2/4
7	S159-133	427	540	1/4	18	ZS2-509	500	120	1/4
8	S159-134	427	540	1/4	19	ZS2-510	500	120	1/4
9	S159-217	1475	540	2/4	20	ZS2-5591	374	120	1/4
10	S159-218	1475	540	2/4	21	ZS2-5594	382	120	1/4
11	S159-309	431	540	2/4					

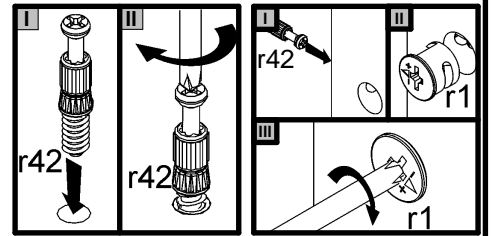
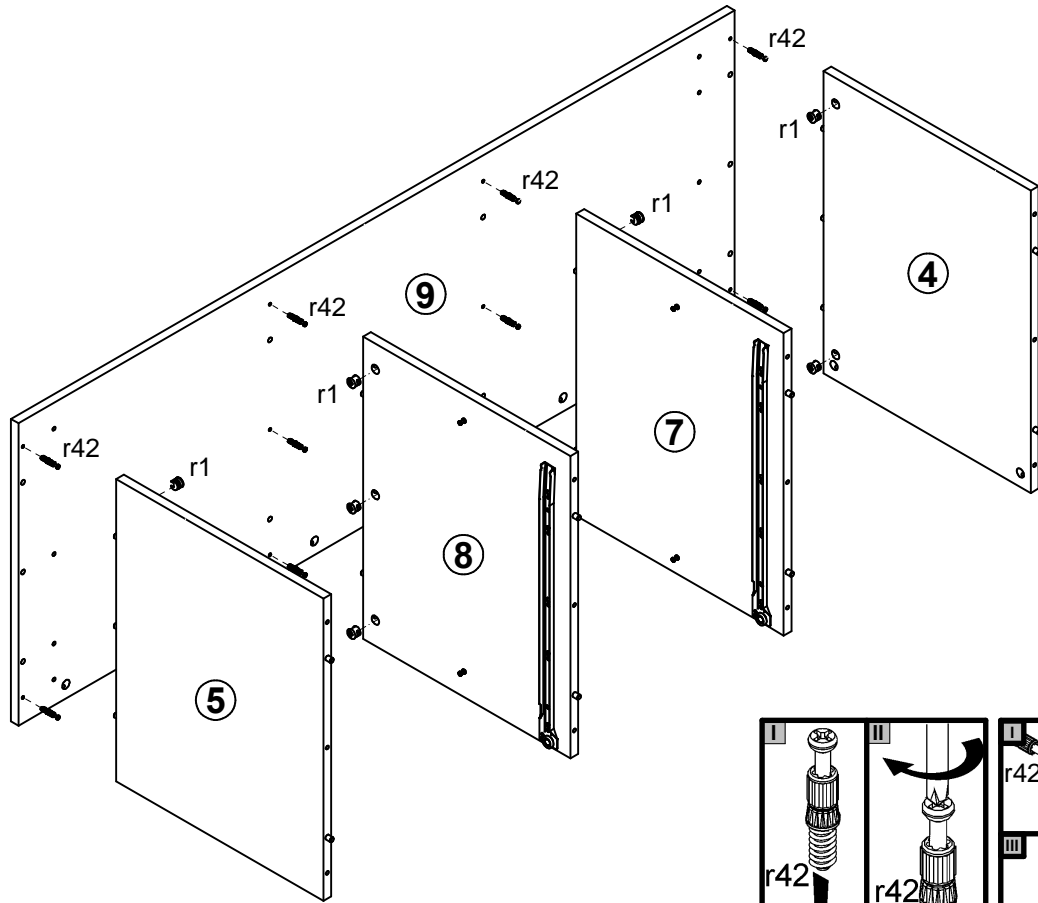


3x c335	12x Ø7x50 mm e1	18x Ø5x9 mm e19	12x Ø6x13 mm e3	20x Ø8x30 mm f1	12x Ø6.5x40 mm f25	20x Ø6x30 mm f9	5x 84x40/25 mm k77	60x l1
8x 1x12 mm l16	2x l53\1	2x l53\2	10x Ø4x25 mm p36	6x Ø3x12 mm p54	6x Ø4x22 mm p60	26x Ø15x12 mm #16 r1	12x Ø12x10.5 mm #12 r15	12x r37
38x r42	12x r50	6x Ø16 s2	3x 500 mm w26\CL	3x 500 mm w26\CR	3x 500 mm w26\DL	3x 500 mm w26\DR	1x z1	

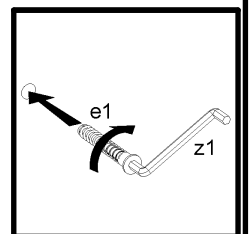
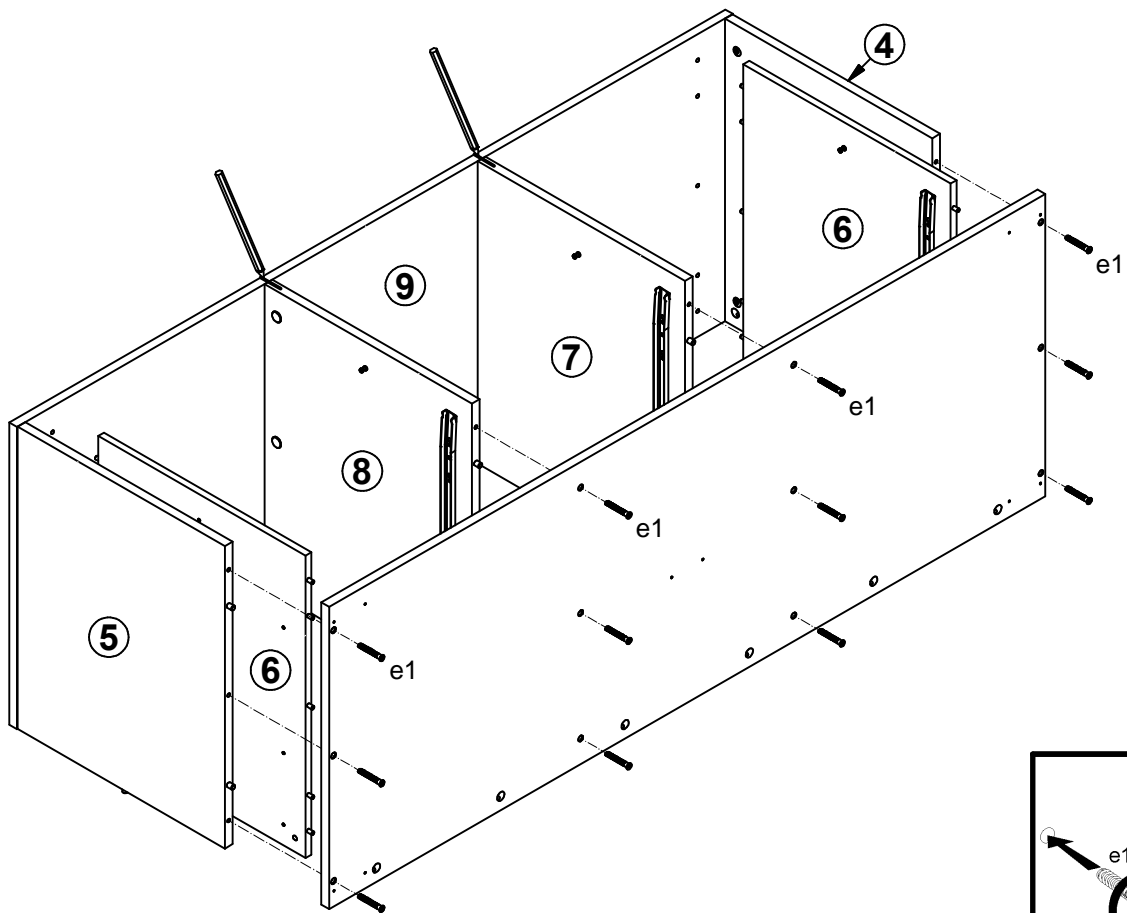
1



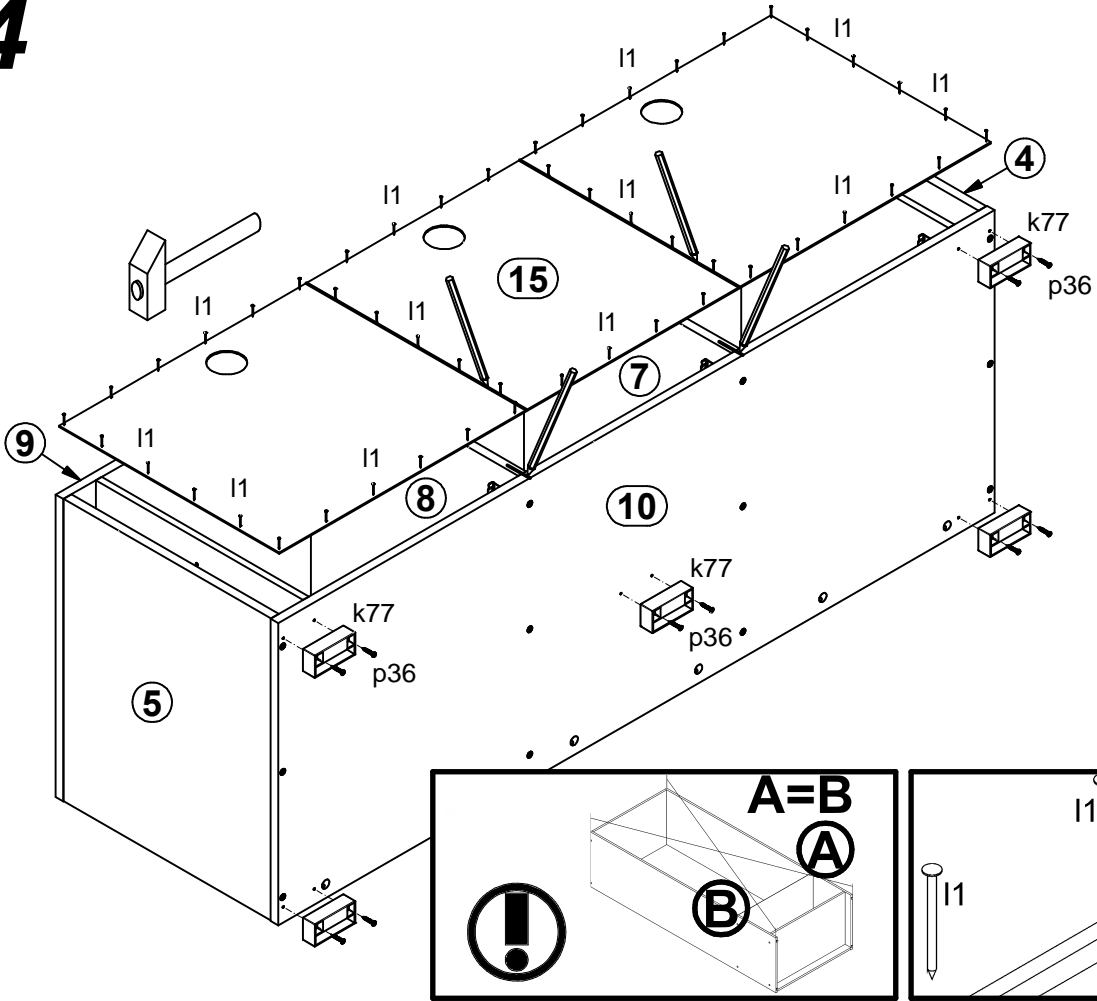
2



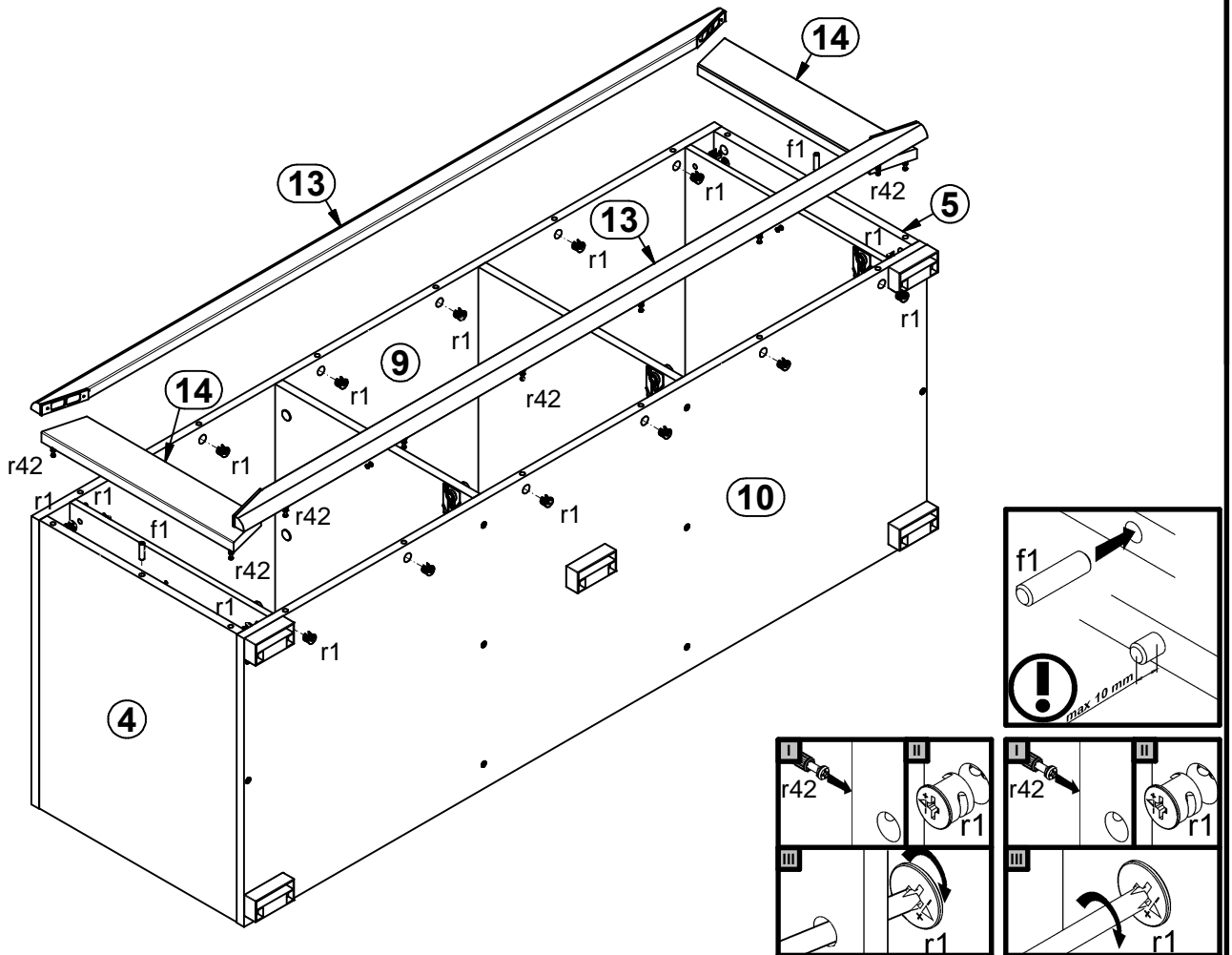
3



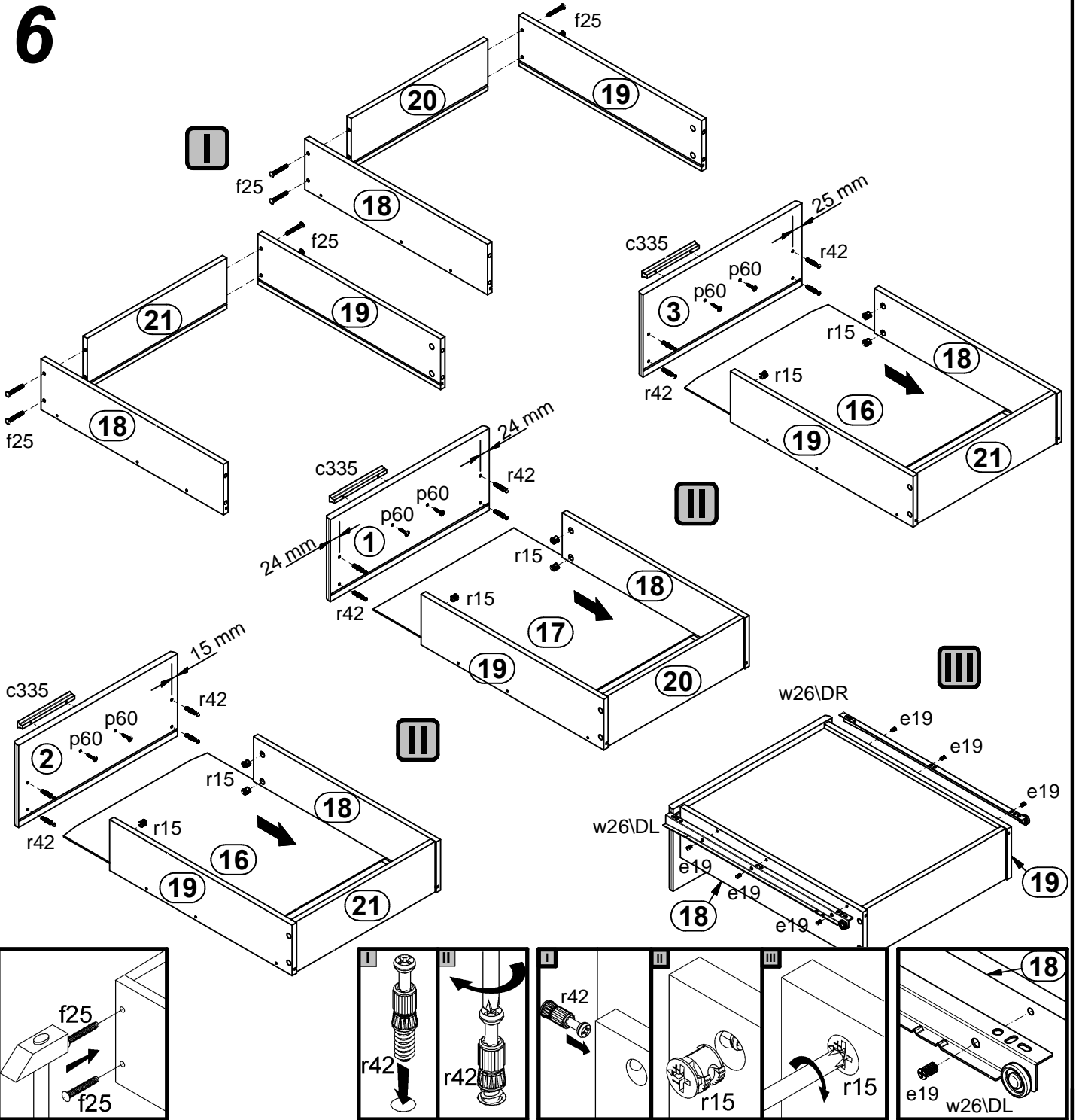
4



5



6



7

