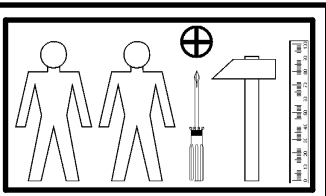
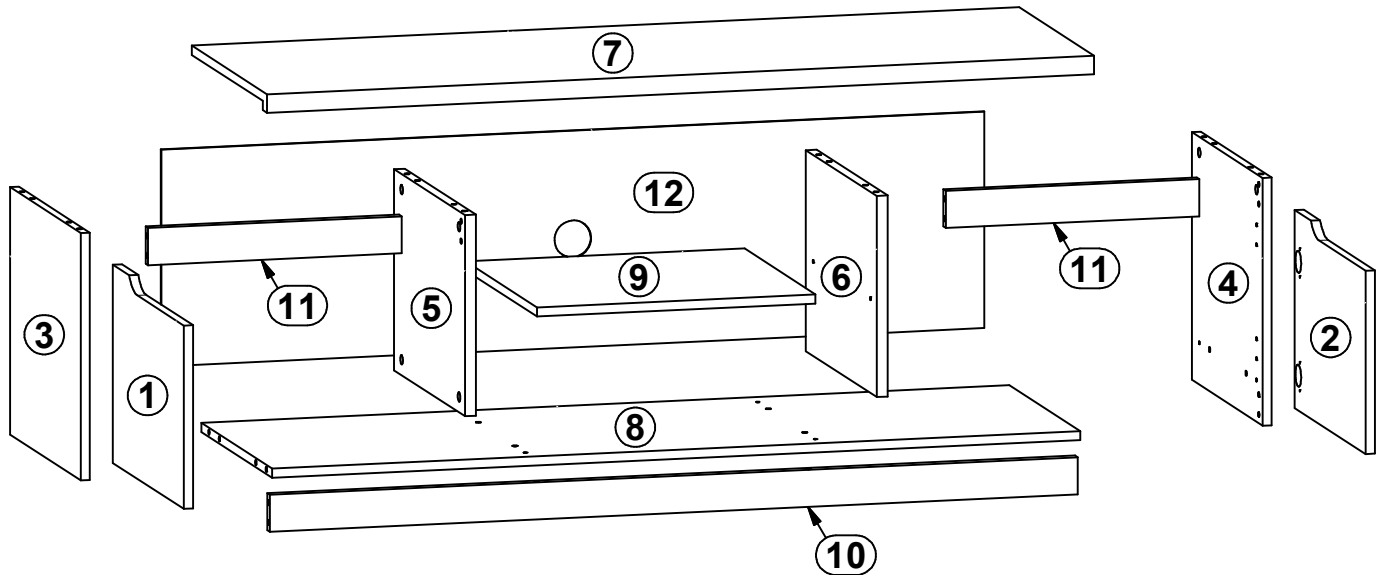
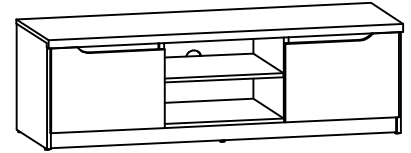
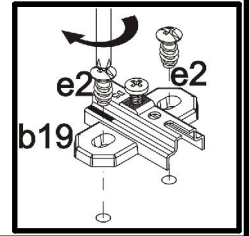
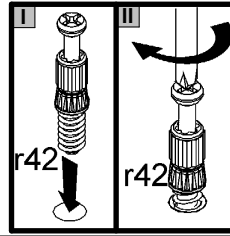
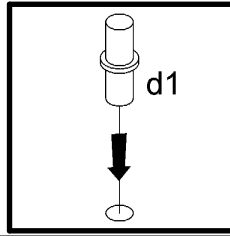
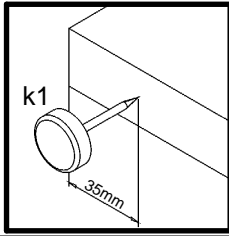
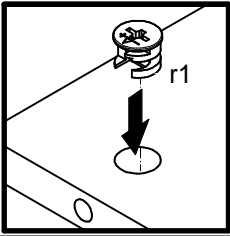
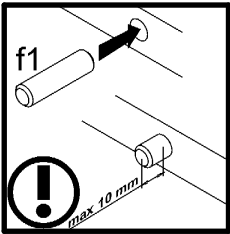
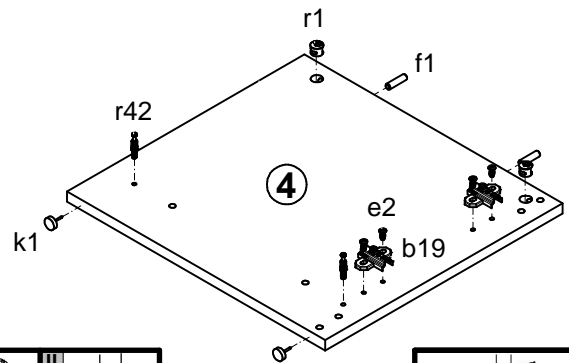
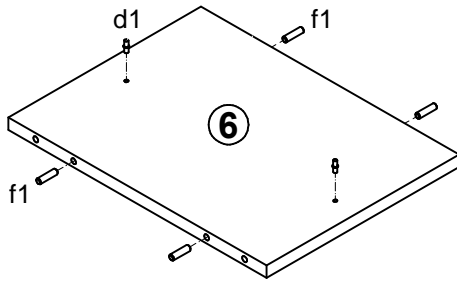
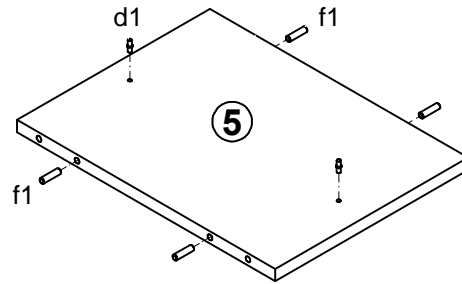
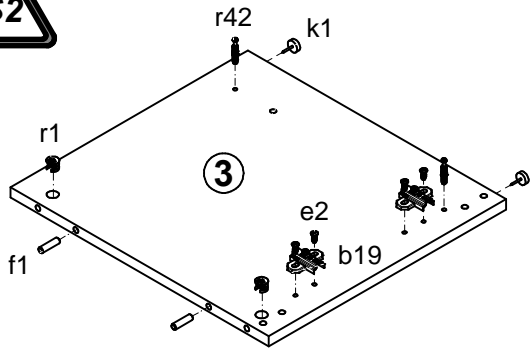


A	B	C	D
1	S162-024	320	436
2	S162-025	320	436
3	S162-129	400	435
4	S162-130	400	435
5	S162-131	325	435
6	S162-132	325	435
7	S162-210	1361	461
8	S162-321	1329	435
9	S162-322	458	434
10	S162-409	1329	60
11	S162-421	417	60
12	S162-922	350	1354

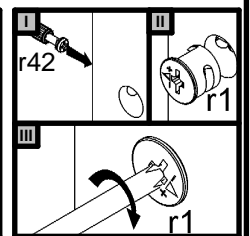
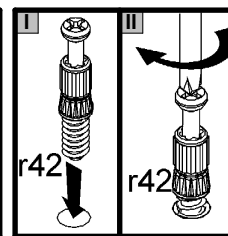
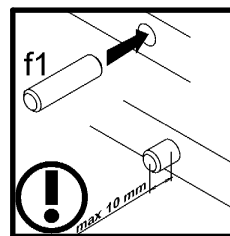
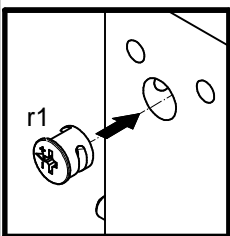
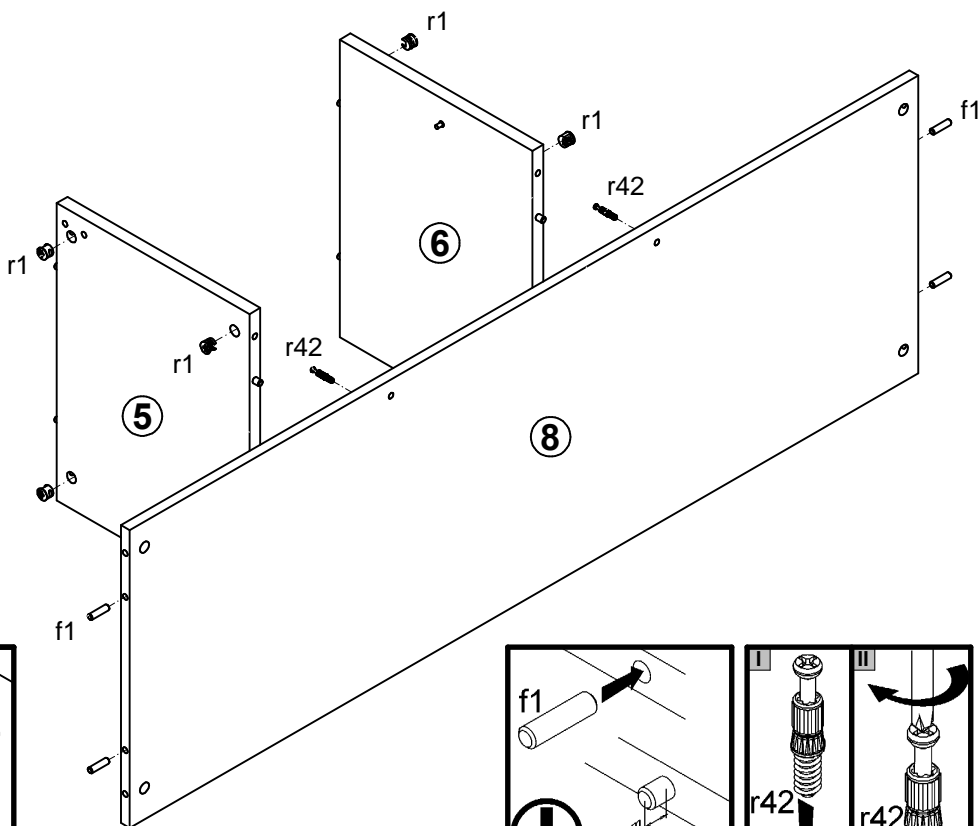


4x a68	4x b19	4x d1 Ø5x17 mm	8x e2 Ø6.3x13 mm	30x f1 Ø8x30 mm	5x k1	45x l1	8x p51 Ø3.5x15 mm	16x r1 Ø15x12 mm #16
16x r42	4x s2 Ø16							

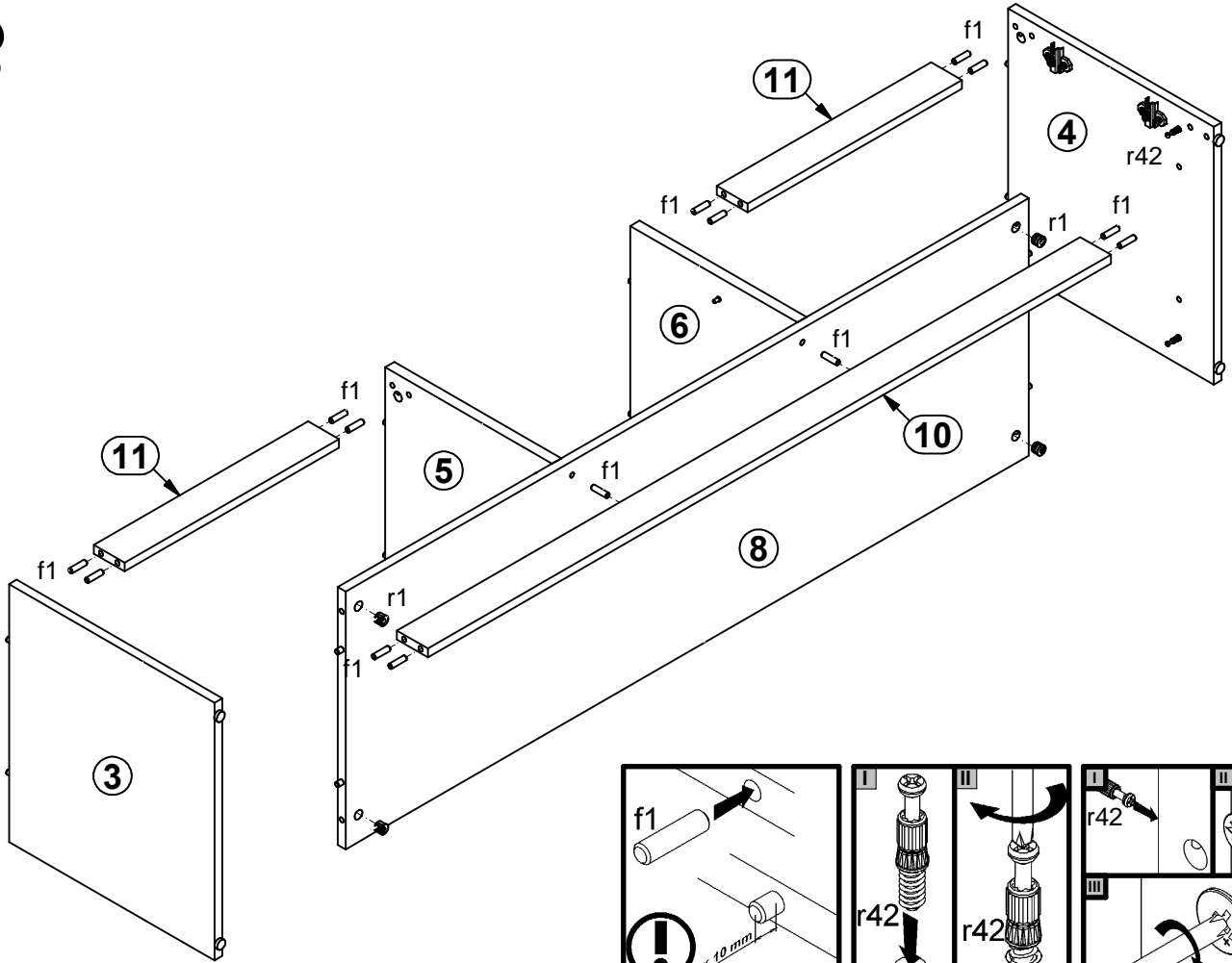
1 §2



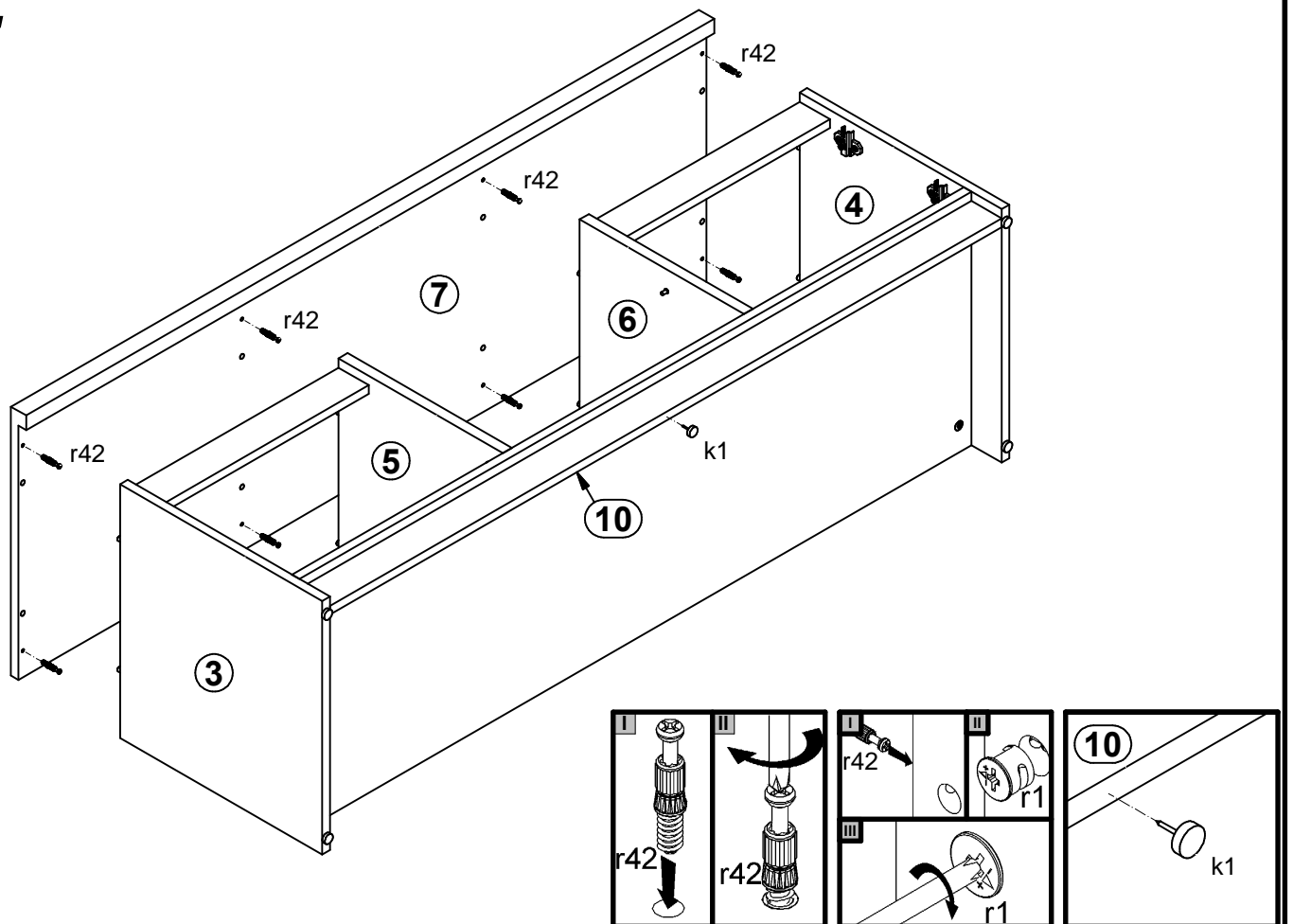
2 §6



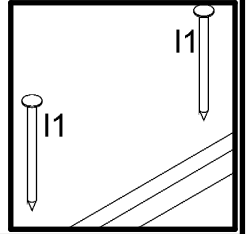
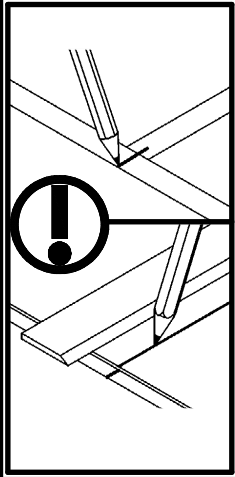
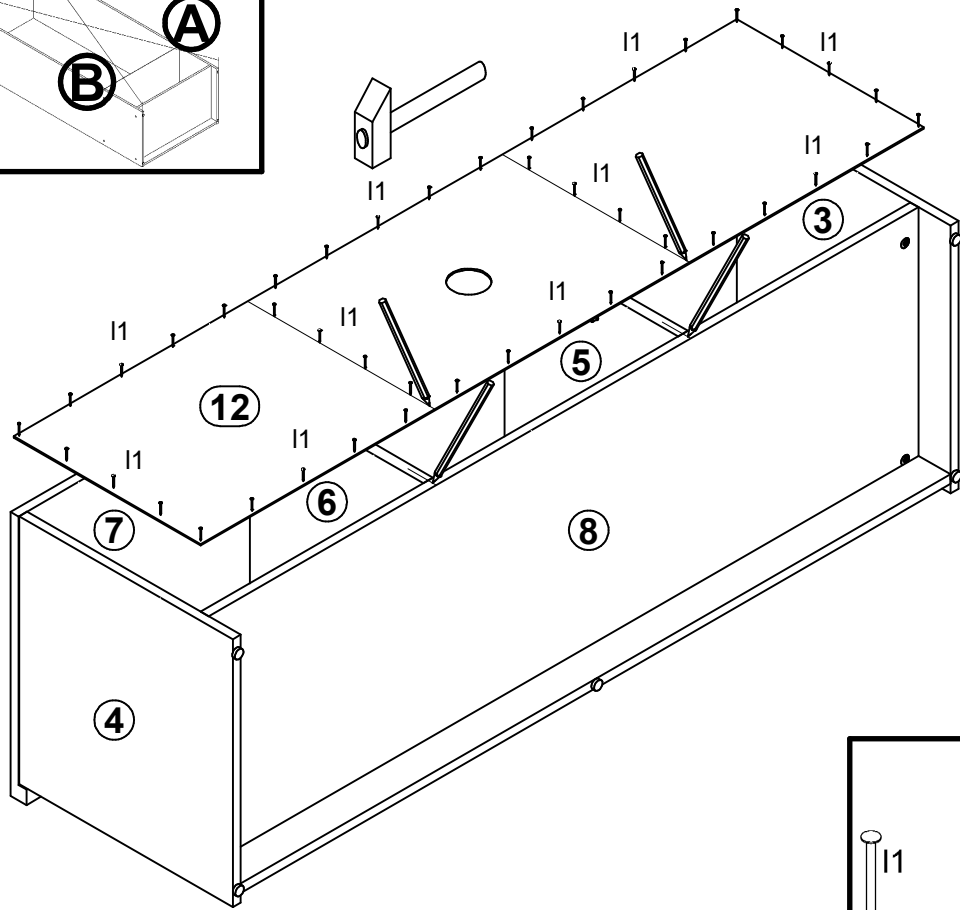
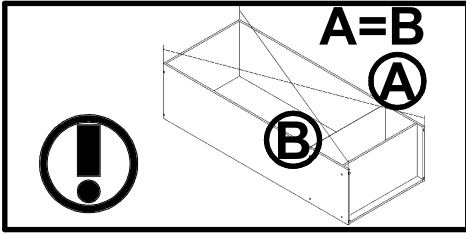
3



4



5



6

