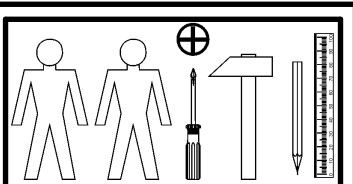
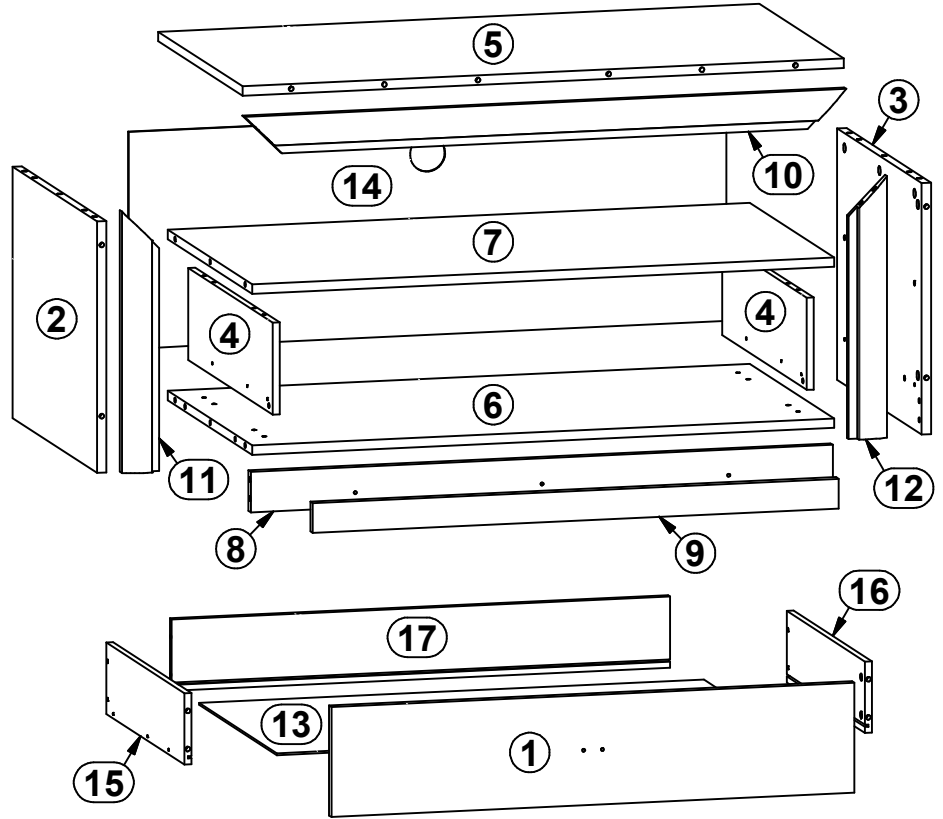
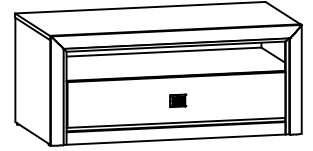
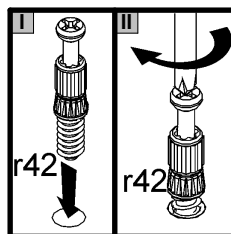
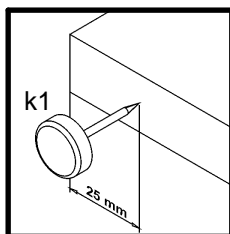
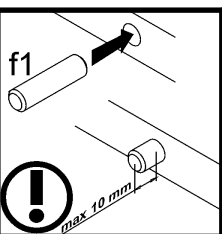
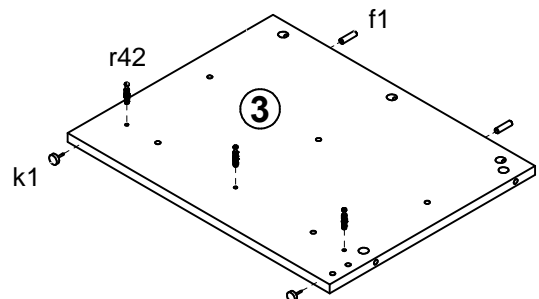
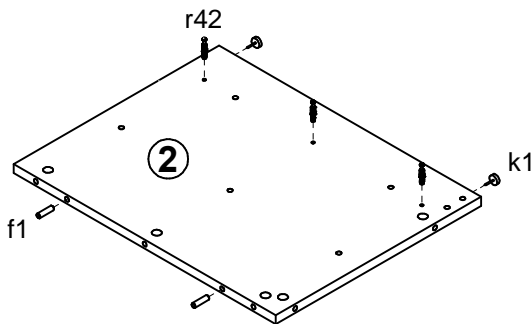


A	B	C	D	
1	S136-002	896	185	3/3
2	S136-131	423	540	1/3
3	S136-132	423	540	1/3
4	S136-133	155	540	1/3
5	S136-208	1030	540	1/3
6	S136-308	997	540	1/3
7	S136-318	997	540	1/3
8	S136-401	997	68	1/3
9	S136-403	901	50	1/3
10	S136-573	1031	65	2/3
11	S136-587	440	65	2/3
12	S136-588	440	65	2/3
13	S136-915	865	498	1/3
14	S136-916	1024	365	1/3
15	ZS2-509	500	120	1/3
16	ZS2-510	500	120	1/3
17	ZS2-5556	854	120	1/3

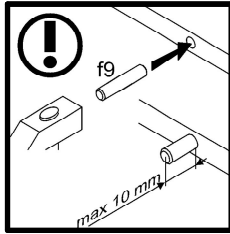
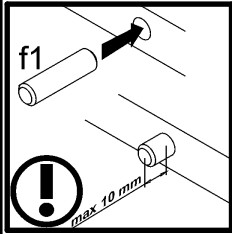
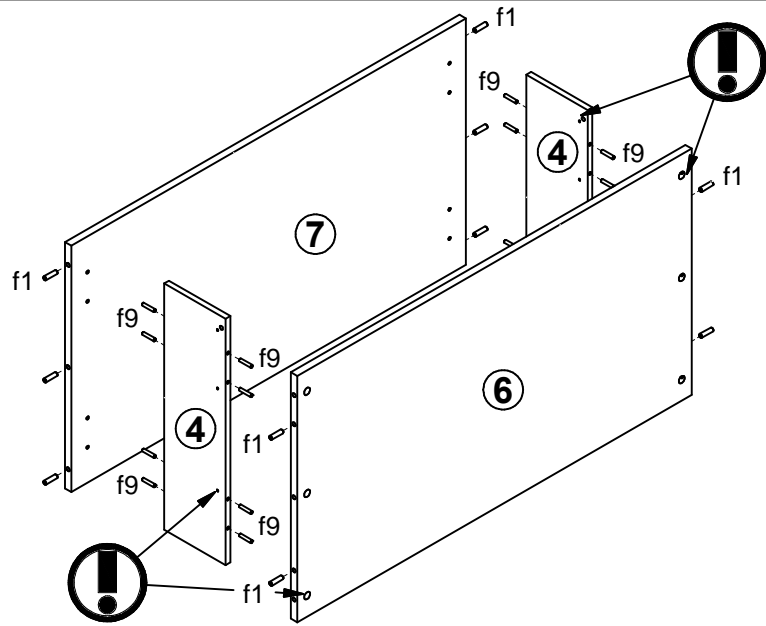


1x c317	6x φ5x9 mm e19	6x φ6x13 mm e3	22x φ8x30 mm f1	4x φ6.5x40 mm f25	16x φ6x30 mm f9	2x M4x22 mm j30	4x k1	40x l1	
2x φ3.5x16 mm p25	3x φ4x28 mm p94	24x φ1.5x12mm #16 r1	2x r10	4x φ12x10.5mm #12 r15	24x r42	6x ø16 s2	1x 483 mm t17	1x 500 mm w26\CL	
1x 500 mm w26\CR	1x 500 mm w26\DL	1x 500 mm w26\DR							

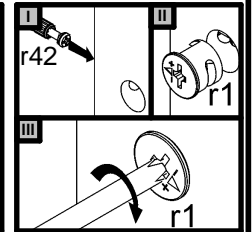
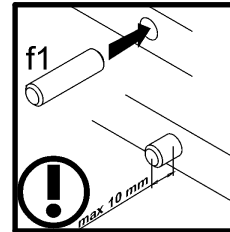
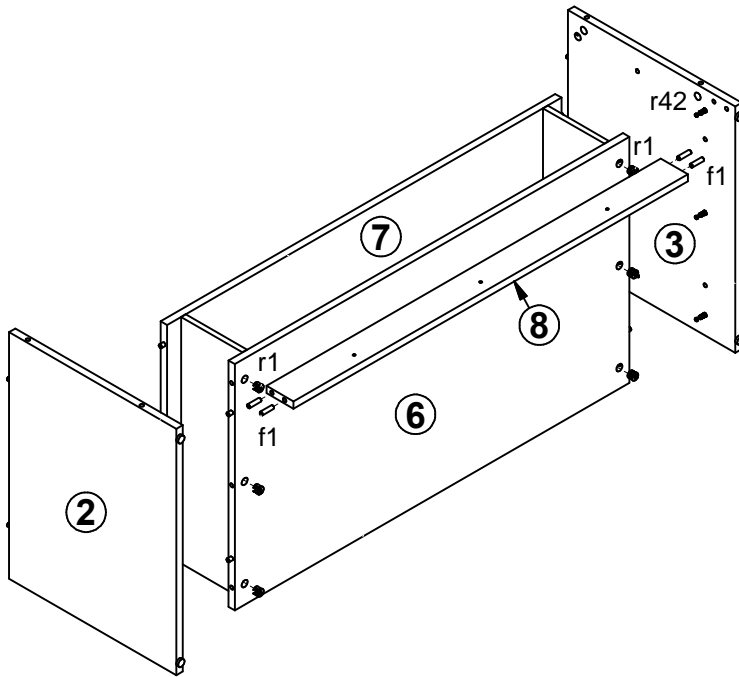
1



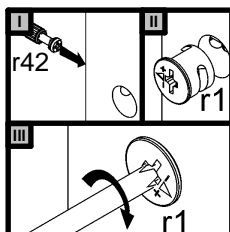
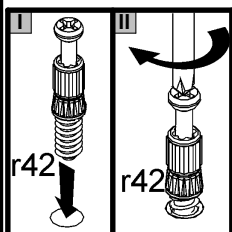
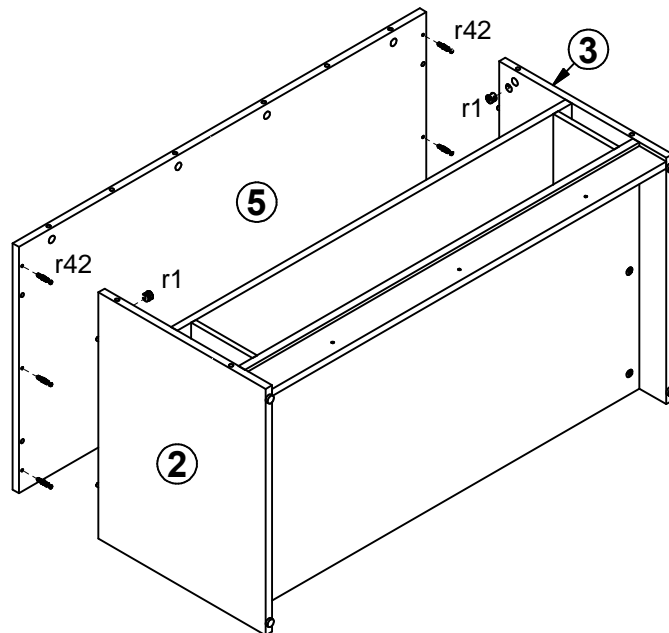
2



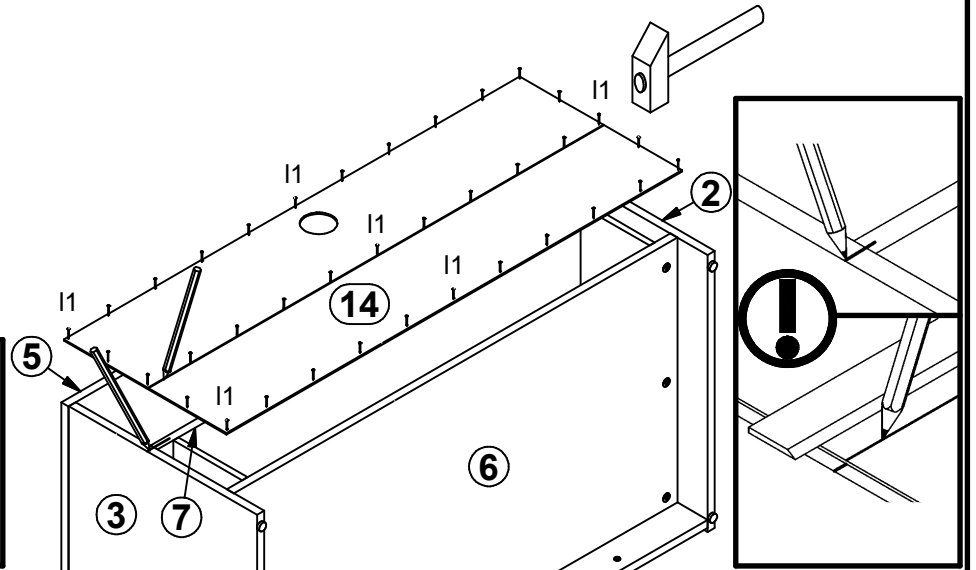
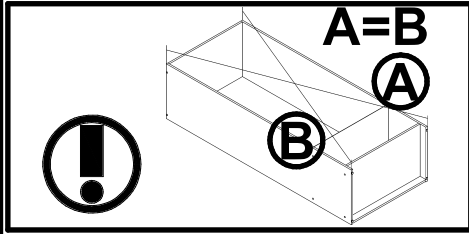
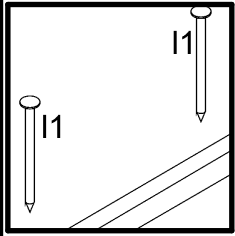
3



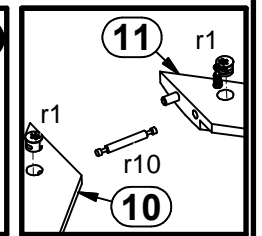
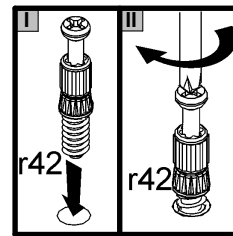
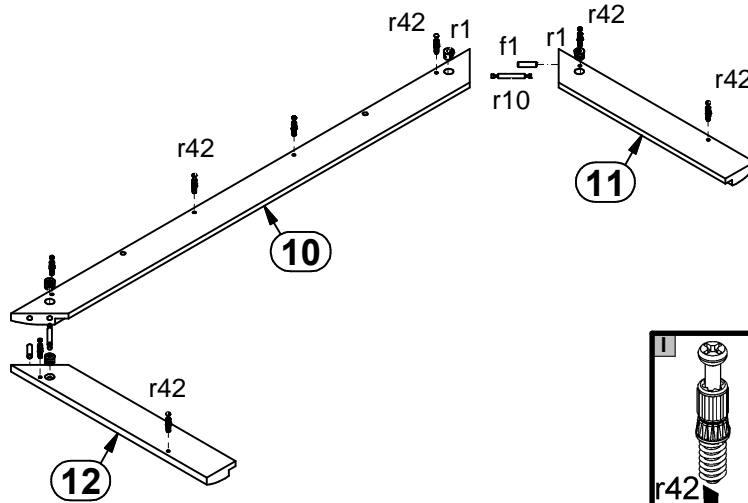
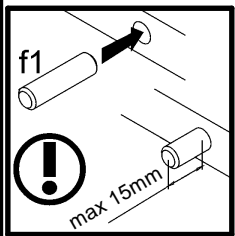
4



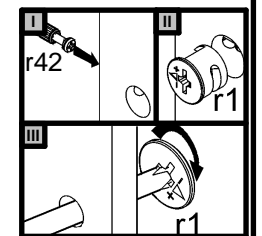
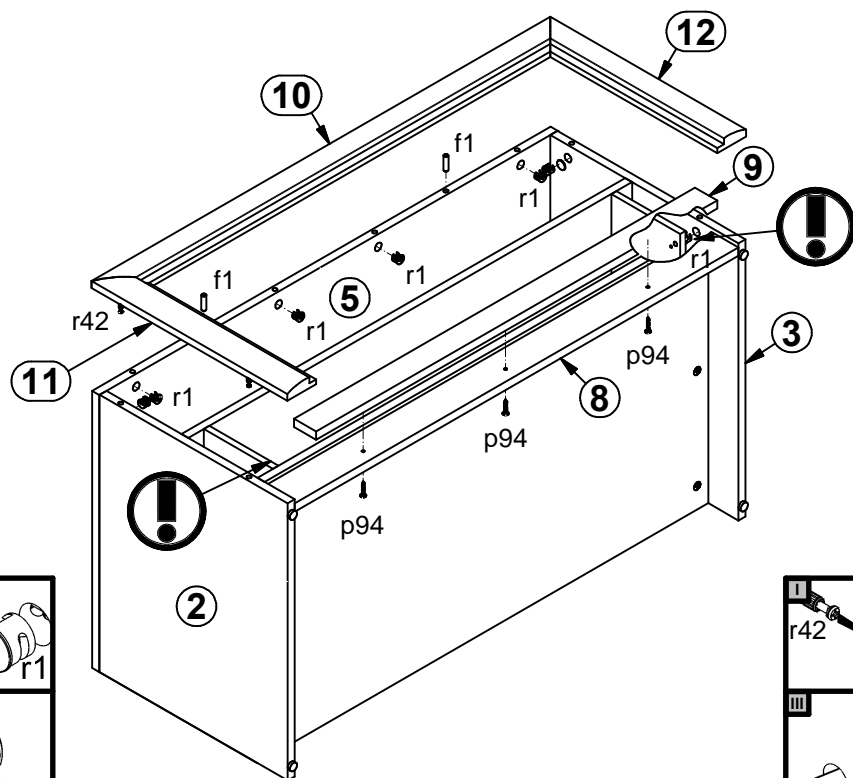
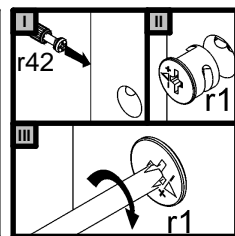
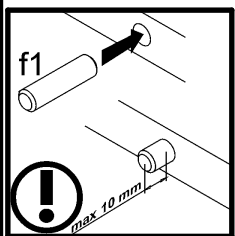
5



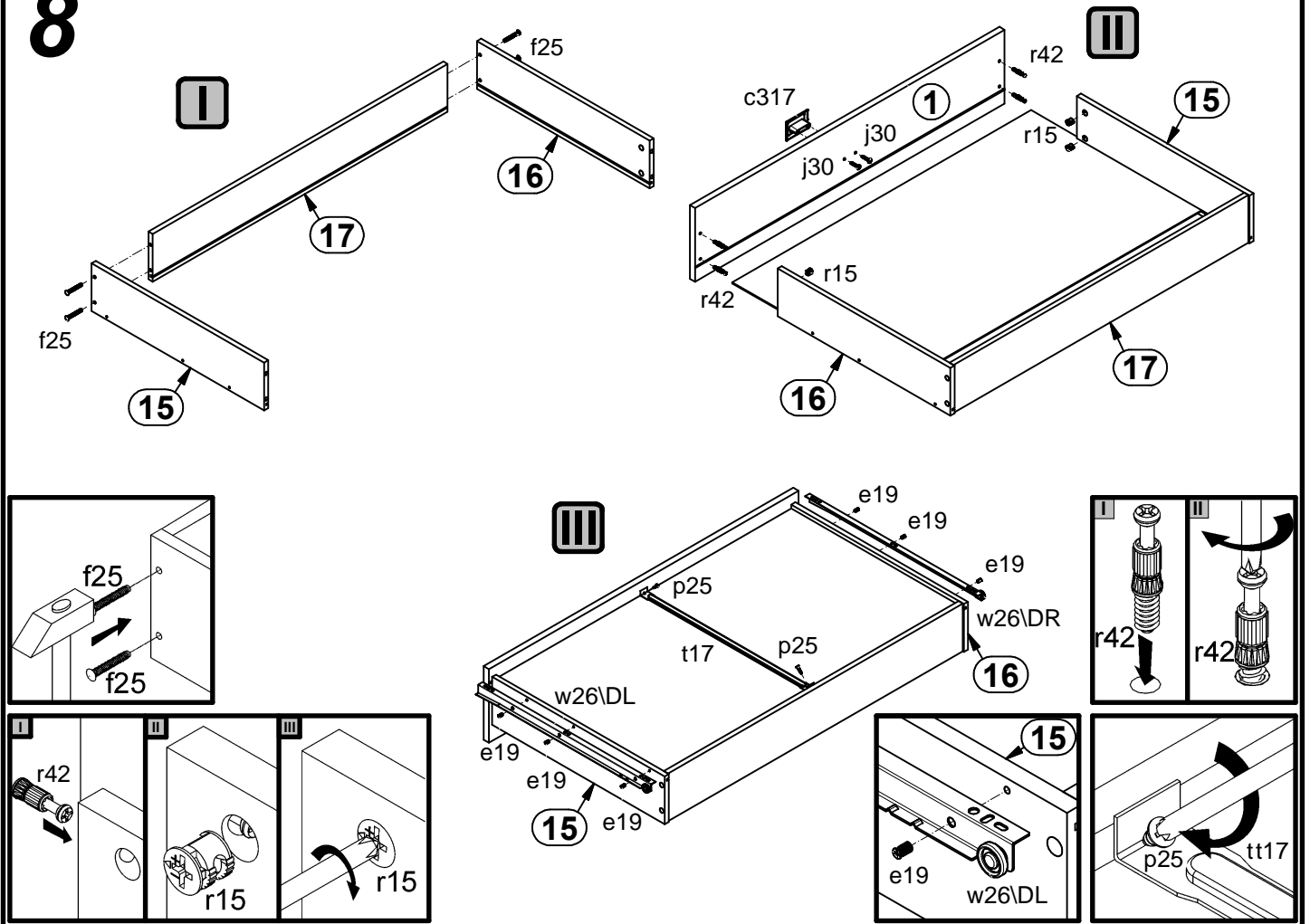
6



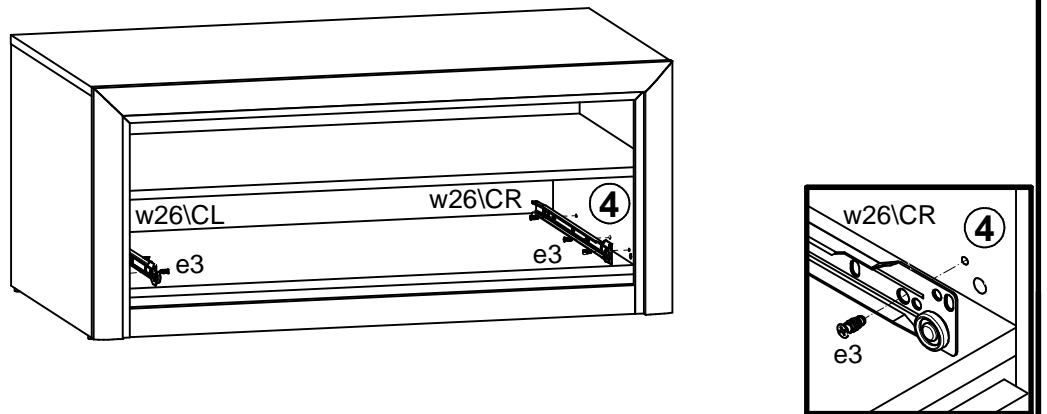
7



8



9



10

